

# Combination Wrench

KT No. & D1

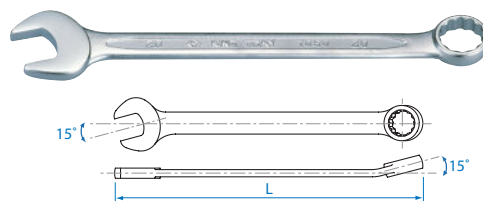


## 1060

- European slimline type
- 15° open end angle
- 15° ring end offset from shaft
- Chrome vanadium alloy steel
- Chrome plated
- Metric - DIN 3113 from A, ISO 7738
- Inch - ANSI / ASME B107.6

| KT NO.  | Size mm | L mm |     |          |
|---------|---------|------|-----|----------|
| 1060-55 | 5.5     | 105  | 17  | 12 / 504 |
| 1060-06 | 6       | 105  | 16  | 12 / 504 |
| 1060-07 | 7       | 115  | 22  | 12 / 504 |
| 1060-08 | 8       | 125  | 24  | 12 / 504 |
| 1060-09 | 9       | 135  | 32  | 12 / 504 |
| 1060-10 | 10      | 145  | 41  | 12 / 504 |
| 1060-11 | 11      | 155  | 46  | 12 / 504 |
| 1060-12 | 12      | 165  | 59  | 12 / 216 |
| 1060-13 | 13      | 175  | 70  | 12 / 216 |
| 1060-14 | 14      | 185  | 87  | 12 / 216 |
| 1060-15 | 15      | 195  | 96  | 12 / 192 |
| 1060-16 | 16      | 205  | 111 | 12 / 192 |
| 1060-17 | 17      | 215  | 131 | 12 / 192 |
| 1060-18 | 18      | 225  | 156 | 12 / 144 |
| 1060-19 | 19      | 235  | 163 | 12 / 144 |
| 1060-20 | 20      | 245  | 189 | 12 / 144 |
| 1060-21 | 21      | 255  | 206 | 12 / 96  |
| 1060-22 | 22      | 265  | 243 | 12 / 96  |
| 1060-23 | 23      | 275  | 258 | 12 / 96  |
| 1060-24 | 24      | 285  | 290 | 6 / 54   |
| 1060-25 | 25      | 295  | 312 | 6 / 54   |
| 1060-26 | 26      | 305  | 349 | 6 / 54   |
| 1060-27 | 27      | 315  | 367 | 6 / 54   |
| 1060-28 | 28      | 325  | 415 | 6 / 48   |
| 1060-29 | 29      | 335  | 463 | 6 / 48   |
| 1060-30 | 30      | 345  | 492 | 6 / 48   |
| 1060-32 | 32      | 365  | 566 | 6 / 48   |

## 5060



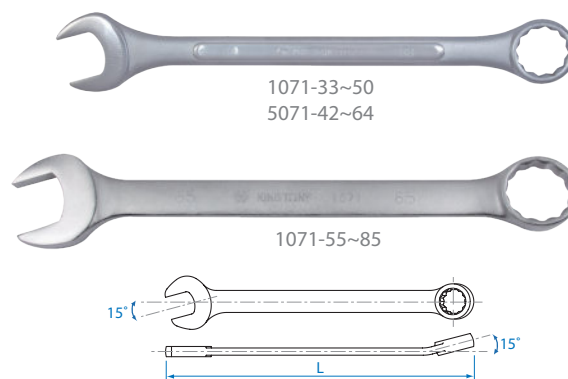
| KT NO.  | Size inch | L mm |     |          |
|---------|-----------|------|-----|----------|
| 5060-08 | 1/4       | 105  | 17  | 12 / 504 |
| 5060-10 | 5/16      | 125  | 24  | 12 / 504 |
| 5060-12 | 3/8       | 145  | 40  | 12 / 504 |
| 5060-14 | 7/16      | 155  | 47  | 12 / 504 |
| 5060-16 | 1/2       | 175  | 70  | 12 / 216 |
| 5060-18 | 9/16      | 185  | 87  | 12 / 216 |
| 5060-20 | 5/8       | 205  | 113 | 12 / 192 |
| 5060-22 | 11/16     | 215  | 136 | 12 / 192 |
| 5060-24 | 3/4       | 235  | 175 | 12 / 144 |
| 5060-26 | 13/16     | 255  | 214 | 12 / 96  |
| 5060-28 | 7/8       | 265  | 234 | 12 / 96  |
| 5060-30 | 15/16     | 285  | 280 | 6 / 54   |
| 5060-32 | 1         | 295  | 309 | 6 / 54   |
| 5060-34 | 1-1/16    | 315  | 370 | 6 / 54   |
| 5060-36 | 1-1/8     | 335  | 462 | 6 / 48   |
| 5060-40 | 1-1/4     | 365  | 560 | 6 / 48   |

## 1071

- Jumbo type
- 15° open end angle
- 15° ring end offset from shaft
- Polished, chrome plated
- Metric - DIN 3113 from A, ISO 7738
- Inch - ANSI / ASME B107.6

| KT NO.  | Size mm | L mm |      |        |
|---------|---------|------|------|--------|
| 1071-33 | 33      | 410  | 802  | 5 / 20 |
| 1071-34 | 34      | 410  | 792  | 5 / 20 |
| 1071-35 | 35      | 425  | 920  | 5 / 20 |
| 1071-36 | 36      | 425  | 927  | 5 / 20 |
| 1071-38 | 38      | 455  | 1111 | 5 / 20 |
| 1071-41 | 41      | 495  | 1463 | 5 / 15 |
| 1071-42 | 42      | 495  | 1453 | 5 / 15 |
| 1071-44 | 44      | 495  | 1655 | 5 / 15 |
| 1071-46 | 46      | 495  | 1581 | 5 / 15 |
| 1071-48 | 48      | 563  | 2372 | 5 / 10 |
| 1071-50 | 50      | 563  | 2343 | 5 / 10 |
| KT NO.  | Size mm | L mm |      |        |
| 1071-55 | 55      | 610  | 2520 | 5      |
| 1071-60 | 60      | 645  | 3000 | 5      |
| 1071-65 | 65      | 665  | 3300 | 5      |
| 1071-70 | 70      | 708  | 5760 | 2      |
| 1071-75 | 75      | 708  | 5770 | 2      |
| 1071-80 | 80      | 730  | 7700 | 2      |
| 1071-85 | 85      | 730  | 7700 | 2      |

## 5071



| KT NO.  | Size inch | L mm |      |        |
|---------|-----------|------|------|--------|
| 5071-42 | 1-5/16    | 410  | 816  | 5 / 20 |
| 5071-44 | 1-3/8     | 425  | 951  | 5 / 20 |
| 5071-46 | 1-7/16    | 425  | 920  | 5 / 20 |
| 5071-48 | 1-1/2     | 455  | 1085 | 5 / 20 |
| 5071-50 | 1-9/16    | 495  | 1532 | 5 / 15 |
| 5071-52 | 1-5/8     | 495  | 1520 | 5 / 15 |
| 5071-54 | 1-11/16   | 495  | 1598 | 5 / 15 |
| 5071-56 | 1-3/4     | 495  | 1609 | 5 / 15 |
| 5071-58 | 1-13/16   | 495  | 1554 | 5 / 15 |
| 5071-60 | 1-7/8     | 563  | 2317 | 5 / 10 |
| 5071-62 | 1-15/16   | 563  | 2245 | 5 / 10 |
| 5071-64 | 2         | 563  | 2248 | 5 / 10 |

## X-ON Electronics

Largest Supplier of Electrical and Electronic Components

*Click to view similar products for [Spanners](#) category:*

*Click to view products by [KING TONY](#) manufacturer:*

Other Similar products are found below :

[74005](#) [74008](#) [1406504-3](#) [1406504-4](#) [1406504-5](#) [1406504-7](#) [1725859-2](#) [9965](#) [999-16625-001](#) [G70515-18](#) [1055265-1](#) [1055267-1](#) [1-1406504-0](#) [1055787-1](#) [DCH.91.251.PA](#) [TG70-18](#) [TG70](#) [G62748-11](#) [DPH.99.005.2K](#) [DCP.91.045.TN](#) [1055512-1](#) [1055276-1](#) [R282303020](#) [TA-0456](#) [DCA.91.149.0TN](#) [TA-0436](#) [TA-0398](#) [TOL-222901](#) [74\\_Z-0-0-193](#) [294GB-5069-17-N](#) [74\\_Z-0-0-2](#) [523200-4](#) [294GB-5070-25-A](#) [74\\_Z-0-0-79](#) [294GB-5070-17-A](#) [74\\_Z-0-0-321](#) [TOL-171801](#) [PR23350](#) [1490262-2](#) [9968](#) [AC24VS](#) [80117](#) [DCN.91.149.0TK](#) [BT-A-6010CAGE](#) [R282340000](#) [BT-BS-609WT](#) [BT-A-6000B](#) [R282303000](#) [BT-BS-610R](#) [BT-BS-610RT](#)