

Flare Nut Wrench & Set

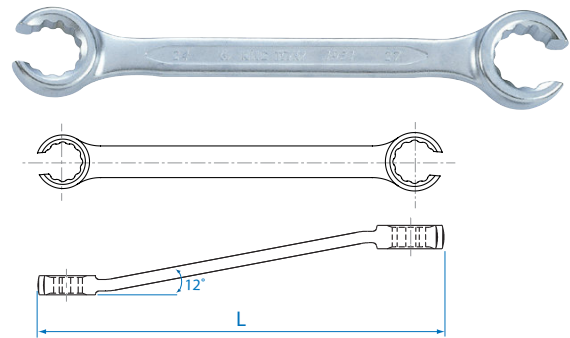
KT No. & D1



1931

- 12 points
- 12° ring offset
- Chrome vanadium alloy steel
- Chrome plated
- DIN 3118

| KT NO. | Size mm | L mm | | |
|----------|---------|------|-----|--------|
| 19312224 | 22 x 24 | 250 | 309 | 6 / 72 |
| 19312427 | 24 x 27 | 270 | 406 | 6 / 48 |
| 19313032 | 30 x 32 | 290 | 546 | 5 / 40 |



Flexible Head Wrench & Set

1020

- Combination flexible head wrench with 12 points thin wall socket
- 180° swivel head for better accessibility
- Chrome vanadium alloy steel
- Chrome plated

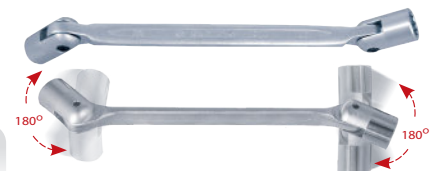
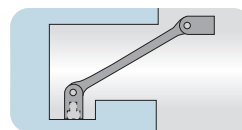
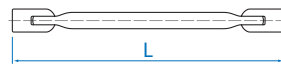


| KT NO. | Size mm | L mm | | |
|---------|---------|------|-----|----------|
| 1020-08 | 8 | 170 | 64 | 10 / 180 |
| 1020-09 | 9 | 170 | 68 | 10 / 180 |
| 1020-10 | 10 | 180 | 81 | 10 / 160 |
| 1020-11 | 11 | 188 | 106 | 10 / 160 |
| 1020-12 | 12 | 190 | 107 | 10 / 120 |
| 1020-13 | 13 | 206 | 135 | 10 / 120 |

| KT NO. | Size mm | L mm | | |
|---------|---------|------|-----|----------|
| 1020-14 | 14 | 225 | 167 | 10 / 120 |
| 1020-15 | 15 | 225 | 193 | 6 / 72 |
| 1020-16 | 16 | 234 | 224 | 6 / 72 |
| 1020-17 | 17 | 234 | 237 | 4 / 48 |
| 1020-18 | 18 | 252 | 295 | 4 / 48 |
| 1020-19 | 19 | 250 | 290 | 4 / 48 |

1910

- Double end flexible head wrench with 12 points thin wall socket
- 180° swivel head for better accessibility
- Chrome vanadium alloy steel
- Chrome plated



| KT NO. | Size mm | L mm | | |
|----------|---------|------|-----|----------|
| 19100607 | 6 x 7 | 182 | 76 | 12 / 216 |
| 19100809 | 8 x 9 | 182 | 81 | 12 / 216 |
| 19100810 | 8 x 10 | 185 | 88 | 10 / 160 |
| 19101011 | 10 x 11 | 200 | 109 | 10 / 160 |
| 19101012 | 10 x 12 | 205 | 122 | 10 / 120 |
| 19101213 | 12 x 13 | 220 | 158 | 10 / 120 |
| 19101214 | 12 x 14 | 225 | 178 | 10 / 80 |
| 19101415 | 14 x 15 | 240 | 232 | 10 / 120 |
| 19101417 | 14 x 17 | 244 | 256 | 10 / 120 |
| 19101617 | 16 x 17 | 259 | 317 | 10 / 80 |

| KT NO. | Size mm | L mm | | |
|----------|---------|------|-----|---------|
| 19101719 | 17 x 19 | 260 | 341 | 10 / 80 |
| 19101819 | 18 x 19 | 275 | 393 | 6 / 54 |
| 19101921 | 19 x 21 | 300 | 526 | 6 / 36 |
| 19102022 | 20 x 22 | 305 | 579 | 6 / 36 |
| 19102123 | 21 x 23 | 305 | 631 | 6 / 36 |
| 19102427 | 24 x 27 | 335 | 797 | 6 / 24 |

| KT NO. | PC. | Contents | | |
|--------|-----|---|------|--------|
| 1B06MR | 6 | 1020 10, 12, 13, 14, 17, 19 | 1.06 | 1 / 24 |
| 1A06MR | 6 | 1910 8 x 9, 10 x 11, 12 x 13, 14 x 15, 16 x 17, 18 x 19 | 1.49 | 1 / 16 |



► Nylon pouch bag



WRENCHES

X-ON Electronics

Largest Supplier of Electrical and Electronic Components

Click to view similar products for [Screwdrivers, Nut Drivers & Socket Drivers](#) category:

Click to view products by [KING TONY](#) manufacturer:

Other Similar products are found below :

[1406504-2](#) [272012M](#) [271001M](#) [30246](#) [HMM-HH](#) [32024](#) [TL10416](#) [612020B](#) [35-045](#) [6951](#) [83](#) [9977](#) [EMF](#) [99833](#) [RB1](#) [S3166V](#) [X103V](#)
[XTD10TP](#) [X108N](#) [HS7N](#) [HS618N](#) [LN25MMN](#) [HS18N](#) [XST1010N](#) [P4N](#) [R146N](#) [P12SN](#) [R5324N](#) [99764N](#) [P8N](#) [99312N](#) [R3163N](#)
[SX101N](#) [LN22N](#) [XTD10N](#) [9955MMN](#) [995MMN](#) [996MMN](#) [LN25N](#) [THS9N](#) [R3166N](#) [R144N](#) [RB2N](#) [HS10N](#) [99964BPN](#) [HS11N](#) [HS12N](#)
[THS8N](#) [TL12N](#) [LN23BPN](#)