

# Adjustable Wrench

## 3611

- Chrome vanadium alloy steel
- Polish, phosphate & chrome plated
- DIN 3117



3611R



3611HR

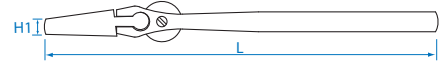


3611P



3611HP

KT NO.	mm	H1 mm	L mm	g	Box
3611-04R	14	4.3	109	91	12 / 108
3611-06R	20	7	150	136	12 / 108
3611-08R	25	8	200	245	12 / 48
3611-10R	30	11	250	415	10 / 60
3611-12R	35	13	300	713	5 / 40
3611-06P	20	7	150	127	12 / 108
3611-08P	25	8	200	246	12 / 48
3611-10P	30	11	250	415	10 / 60
3611-12P	35	13	300	691	5 / 40

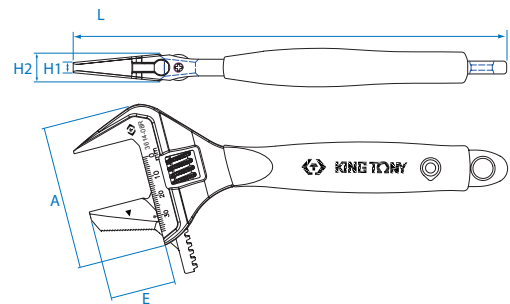


KT NO.	mm	H1 mm	L mm	g	Box
3611-15HR	43	13	365	1351	1 / 20
3611-18HR	52	18	450	1877	1 / 6
3611-24HR	62	23	600	3720	1 / 6
3611-15HP	43	13	365	1348	1 / 20
3611-18HP	52	18	450	1750	1 / 6
3611-24HP	62	23	600	3669	1 / 6

# Reversible Jaw Adjustable Wrench

## 3614-08R

- Chrome vanadium alloy steel
- Dual function wide jaws can be used as an adjustable wrench or pipe Wrench. On one side, the jaw is flat for traditional usage to avoid damaging the parts.
- On the other side, the jaw is finely serrated for powerful tightening on tubes and other parts requiring strong grip and high torque.
- Super wide jaw opening, 50% wider than regular adjustable wrenches
- Deep throat, 30% longer jaws than traditional adjustable wrenches
- Screw pin with front side metric or SAE scale
- 15°, perfectly matched knurl and teeth of jaw for smooth running
- TPR handle with end hole button



KT NO.	mm	A mm	E mm	H1 mm	H2 mm	L mm	g	Box
3614-08R	38	69	32.4	5.7	13.9	212	298.6	4 / 40

# Ratcheting Adjustable Wrench

## 3631-10R

- Chrome vanadium alloy steel
- Magic button to switch ratchet function on/ off
- Wider jaw opening, comfortable & durability
- Excellent in each movement of knurl, tension enhanced and precise
- Patented, more than 130% of ASME standard



KT NO.	mm	Overall length mm	g	Box
3631-10R	32	257	470	6 / 36

## X-ON Electronics

Largest Supplier of Electrical and Electronic Components

*Click to view similar products for [Spanners](#) category:*

*Click to view products by [KING TONY](#) manufacturer:*

Other Similar products are found below :

[74008](#) [1406504-3](#) [1406504-4](#) [1406504-5](#) [1725859-2](#) [9965](#) [1055267-1](#) [1-1406504-0](#) [TG70-24](#) [TG70-18](#) [R282320031](#) [1055512-1](#) [1055276-1](#)  
[R282303020](#) [TOL-222901](#) [523200-4](#) [TOL-171801](#) [1490262-2](#) [9968](#) [1302340394](#) [AC24VS](#) [R282340000](#) [BT-BS-609WT](#) [BT-BS-610R](#) [BT-](#)  
[BS-610RT](#) [R282320030](#) [BT-ST-302D](#) [1031-27R](#) [1031-34R](#) [1060-29](#) [1067-10](#) [1067-27](#) [1067-32](#) [1071-48](#) [10F0-26P](#) [10F0-32P](#) [10F0-55P](#) [0-](#)  
[90-947](#) [0-90-949](#) [40080606](#) [40082626](#) [40093232](#) [50184065](#) [58211008](#) [58211011](#) [58211013](#) [58211014](#) [58211015](#) [58211016](#) [58211019](#)