

Combination Wrench

KT No. & D1

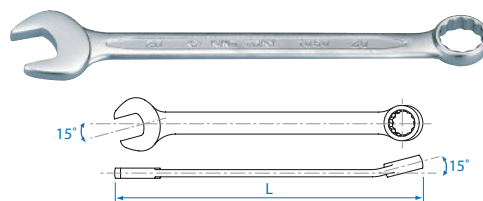


1060

- European slimline type
- 15° open end angle
- 15° ring end offset from shaft
- Chrome vanadium alloy steel
- Chrome plated
- Metric - DIN 3113 from A, ISO 7738
- Inch - ANSI / ASME B107.6

| KT NO. | Size mm | L mm | | |
|---------|---------|------|-----|----------|
| 1060-55 | 5.5 | 105 | 17 | 12 / 504 |
| 1060-06 | 6 | 105 | 16 | 12 / 504 |
| 1060-07 | 7 | 115 | 22 | 12 / 504 |
| 1060-08 | 8 | 125 | 24 | 12 / 504 |
| 1060-09 | 9 | 135 | 32 | 12 / 504 |
| 1060-10 | 10 | 145 | 41 | 12 / 504 |
| 1060-11 | 11 | 155 | 46 | 12 / 504 |
| 1060-12 | 12 | 165 | 59 | 12 / 216 |
| 1060-13 | 13 | 175 | 70 | 12 / 216 |
| 1060-14 | 14 | 185 | 87 | 12 / 216 |
| 1060-15 | 15 | 195 | 96 | 12 / 192 |
| 1060-16 | 16 | 205 | 111 | 12 / 192 |
| 1060-17 | 17 | 215 | 131 | 12 / 192 |
| 1060-18 | 18 | 225 | 156 | 12 / 144 |
| 1060-19 | 19 | 235 | 163 | 12 / 144 |
| 1060-20 | 20 | 245 | 189 | 12 / 144 |
| 1060-21 | 21 | 255 | 206 | 12 / 96 |
| 1060-22 | 22 | 265 | 243 | 12 / 96 |
| 1060-23 | 23 | 275 | 258 | 12 / 96 |
| 1060-24 | 24 | 285 | 290 | 6 / 54 |
| 1060-25 | 25 | 295 | 312 | 6 / 54 |
| 1060-26 | 26 | 305 | 349 | 6 / 54 |
| 1060-27 | 27 | 315 | 367 | 6 / 54 |
| 1060-28 | 28 | 325 | 415 | 6 / 48 |
| 1060-29 | 29 | 335 | 463 | 6 / 48 |
| 1060-30 | 30 | 345 | 492 | 6 / 48 |
| 1060-32 | 32 | 365 | 566 | 6 / 48 |

5060



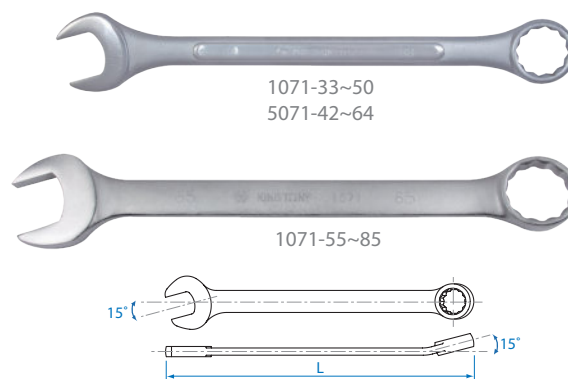
| KT NO. | Size inch | L mm | | |
|---------|-----------|------|-----|----------|
| 5060-08 | 1/4 | 105 | 17 | 12 / 504 |
| 5060-10 | 5/16 | 125 | 24 | 12 / 504 |
| 5060-12 | 3/8 | 145 | 40 | 12 / 504 |
| 5060-14 | 7/16 | 155 | 47 | 12 / 504 |
| 5060-16 | 1/2 | 175 | 70 | 12 / 216 |
| 5060-18 | 9/16 | 185 | 87 | 12 / 216 |
| 5060-20 | 5/8 | 205 | 113 | 12 / 192 |
| 5060-22 | 11/16 | 215 | 136 | 12 / 192 |
| 5060-24 | 3/4 | 235 | 175 | 12 / 144 |
| 5060-26 | 13/16 | 255 | 214 | 12 / 96 |
| 5060-28 | 7/8 | 265 | 234 | 12 / 96 |
| 5060-30 | 15/16 | 285 | 280 | 6 / 54 |
| 5060-32 | 1 | 295 | 309 | 6 / 54 |
| 5060-34 | 1-1/16 | 315 | 370 | 6 / 54 |
| 5060-36 | 1-1/8 | 335 | 462 | 6 / 48 |
| 5060-40 | 1-1/4 | 365 | 560 | 6 / 48 |

1071

- Jumbo type
- 15° open end angle
- 15° ring end offset from shaft
- Polished, chrome plated
- Metric - DIN 3113 from A, ISO 7738
- Inch - ANSI / ASME B107.6

| KT NO. | Size mm | L mm | | |
|---------|---------|------|------|--------|
| 1071-33 | 33 | 410 | 802 | 5 / 20 |
| 1071-34 | 34 | 410 | 792 | 5 / 20 |
| 1071-35 | 35 | 425 | 920 | 5 / 20 |
| 1071-36 | 36 | 425 | 927 | 5 / 20 |
| 1071-38 | 38 | 455 | 1111 | 5 / 20 |
| 1071-41 | 41 | 495 | 1463 | 5 / 15 |
| 1071-42 | 42 | 495 | 1453 | 5 / 15 |
| 1071-44 | 44 | 495 | 1655 | 5 / 15 |
| 1071-46 | 46 | 495 | 1581 | 5 / 15 |
| 1071-48 | 48 | 563 | 2372 | 5 / 10 |
| 1071-50 | 50 | 563 | 2343 | 5 / 10 |
| KT NO. | Size mm | L mm | | |
| 1071-55 | 55 | 610 | 2520 | 5 |
| 1071-60 | 60 | 645 | 3000 | 5 |
| 1071-65 | 65 | 665 | 3300 | 5 |
| 1071-70 | 70 | 708 | 5760 | 2 |
| 1071-75 | 75 | 708 | 5770 | 2 |
| 1071-80 | 80 | 730 | 7700 | 2 |
| 1071-85 | 85 | 730 | 7700 | 2 |

5071



| KT NO. | Size inch | L mm | | |
|---------|-----------|------|------|--------|
| 5071-42 | 1-5/16 | 410 | 816 | 5 / 20 |
| 5071-44 | 1-3/8 | 425 | 951 | 5 / 20 |
| 5071-46 | 1-7/16 | 425 | 920 | 5 / 20 |
| 5071-48 | 1-1/2 | 455 | 1085 | 5 / 20 |
| 5071-50 | 1-9/16 | 495 | 1532 | 5 / 15 |
| 5071-52 | 1-5/8 | 495 | 1520 | 5 / 15 |
| 5071-54 | 1-11/16 | 495 | 1598 | 5 / 15 |
| 5071-56 | 1-3/4 | 495 | 1609 | 5 / 15 |
| 5071-58 | 1-13/16 | 495 | 1554 | 5 / 15 |
| 5071-60 | 1-7/8 | 563 | 2317 | 5 / 10 |
| 5071-62 | 1-15/16 | 563 | 2245 | 5 / 10 |
| 5071-64 | 2 | 563 | 2248 | 5 / 10 |

X-ON Electronics

Largest Supplier of Electrical and Electronic Components

Click to view similar products for [Spanners](#) category:

Click to view products by [KING TONY](#) manufacturer:

Other Similar products are found below :

[74008](#) [1406504-3](#) [1406504-4](#) [1406504-5](#) [1725859-2](#) [9965](#) [1055267-1](#) [1-1406504-0](#) [TG70-24](#) [TG70-18](#) [R282320031](#) [1055512-1](#) [1055276-1](#)
[R282303020](#) [TOL-222901](#) [523200-4](#) [TOL-171801](#) [1490262-2](#) [9968](#) [1302340394](#) [AC24VS](#) [R282340000](#) [BT-BS-609WT](#) [BT-BS-610R](#) [BT-](#)
[BS-610RT](#) [R282320030](#) [BT-ST-302D](#) [1031-27R](#) [1031-34R](#) [1060-29](#) [1067-10](#) [1067-27](#) [1067-32](#) [1071-48](#) [10F0-26P](#) [10F0-32P](#) [10F0-55P](#) [0-](#)
[90-947](#) [0-90-949](#) [40080606](#) [40082626](#) [40093232](#) [50184065](#) [58211008](#) [58211011](#) [58211013](#) [58211014](#) [58211015](#) [58211016](#) [58211019](#)