

Power Driving

- Chrome vanadium alloy steel
- Anti-rust oiled, sand-blasted

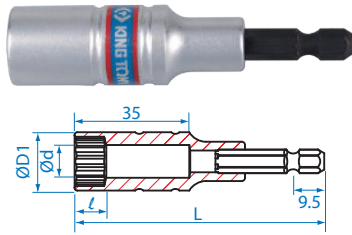
1/4" & 3/8" & 1/2"
Hex size shank driver



76B



- Deep well nut setter
- Deep hole for bolt & nut
- Press-fitted high-durability shank
- Use for tightening step clamp in construction

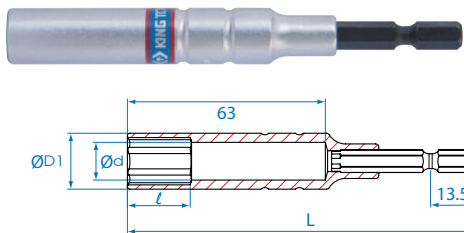


KT NO.	mm	D1 mm	ℓ mm	d mm	L mm	g	kg
76B808M	8	13	6	6	80	41	15 / 300
76B809M	9	13	6	7	80	40	15 / 300
76B810M	10	15	7	7	80	47	12 / 240
76B811M	11	16	7	9	80	52	12 / 240
76B812M	12	17	8	9	80	57	12 / 240
76B813M	13	18	9	10	80	62	12 / 240
76B814M	14	20	9	12	80	70	12 / 240
76B815M	15	21	10	12	80	77	12 / 240
76B816M	16	22	10	14	80	76	12 / 240
76B817M	17	24	11	14	80	95	12 / 144
76B819M	19	26	13	15	80	112	10 / 120
76B821M	21	28	13	19	80	113	10 / 120
76B822M	22	30	13	19	80	137	10 / 120
76B824M	24	32	13	21	80	146	6 / 96

76C



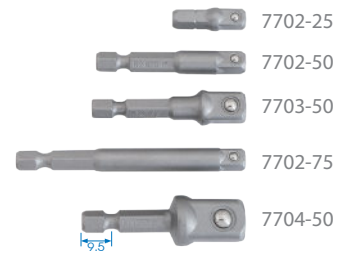
- 110mm length easy to reach at confined spaces
- Extra depth dimension 63mm perfectly go through various bolts
- Press-fit structure with durability socket suitable for 18V power tools
- Ideal for construction assembling, scaffolding and roof work



KT NO.	mm	D1 mm	ℓ mm	d mm	L mm	g	kg
76C1108M	8	14.0	12	7	110	71	12 / 216
76C1109M	9	14.0	14	8	110	64	12 / 216
76C1110M	10	15.0	15	9	110	67	12 / 216
76C1111M	11	17.0	17	10	110	84	10 / 180
76C1112M	12	17.0	18	11	110	74	10 / 180
76C1113M	13	18.0	20	12	110	79	10 / 180
76C1114M	14	20.0	21	13	110	99	10 / 180
76C1117M	17	24.0	26	16	110	139	10 / 180
76C1119M	19	26.0	29	18	110	158	10 / 180
76C1121M	21	28.0	30	20	110	161	8 / 144
new 76C1123M	23	29.8	30	22	110	200	8 / 96
76C1124M	24	32.0	30	23	110	216	8 / 96

770

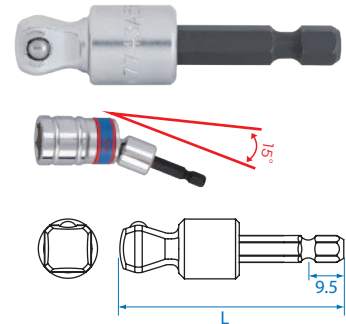
- Socket adapter
- Ball retainer type
- DIN 7428



KT NO.	Size	Overall length (mm)	g	kg
7702-25	1/4"	25	6	20 / 200
7702-50	1/4"	50	13	10 / 100
7702-75	1/4"	75	23	10 / 100
7703-50	3/8"	50	23	6 / 84
7704-50	1/2"	50	24	6 / 72

774

- Bit adapter
- Wobble function provides up to 15° accessibility



KT NO.	Size	L mm	g	kg
7743-56	3/8"	56	30	6 / 72
7744-60	1/2"	60	42	6 / 72



X-ON Electronics

Largest Supplier of Electrical and Electronic Components

Click to view similar products for [Screwdrivers, Nut Drivers & Socket Drivers](#) category:

Click to view products by [KING TONY](#) manufacturer:

Other Similar products are found below :

[1406504-2](#) [272012M](#) [271001M](#) [30246](#) [HMM-HH](#) [32024](#) [TL10416](#) [612020B](#) [35-045](#) [6951](#) [83](#) [9977](#) [EMF](#) [99833](#) [RB1](#) [S3166V](#) [X103V](#)
[XTD10TP](#) [X108N](#) [HS7N](#) [HS618N](#) [LN25MMN](#) [HS18N](#) [XST1010N](#) [P4N](#) [R146N](#) [P12SN](#) [R5324N](#) [99764N](#) [P8N](#) [99312N](#) [R3163N](#)
[SX101N](#) [LN22N](#) [XTD10N](#) [9955MMN](#) [995MMN](#) [996MMN](#) [LN25N](#) [THS9N](#) [R3166N](#) [R144N](#) [RB2N](#) [HS10N](#) [99964BPN](#) [HS11N](#) [HS12N](#)
[THS8N](#) [TL12N](#) [LN23BPN](#)