

IR5 12:1 DUAL-LASER INFRARED THERMOMETER

°F °C
-22° - 752° F
-30° - 400° C



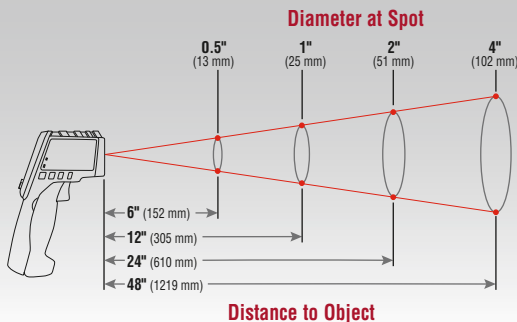
Dual lasers for more accurate measurements

KLEIN TOOLS 
For Professionals... Since 1857™

IR5 12:1 Dual-Laser Infrared Thermometer



Laser dots indicate the measurement diameter:



The IR5 dual lasers assist in targeting the measurement area. The distance between the two laser spots on the surface of the object being measured approximates the diameter of the circular measurement area from which the infrared sensor is collecting data.

The IR5 is a professional dual-laser targeting infrared thermometer that offers a wide measurement range, a tight distance-to-spot ratio, and several calculation modes to facilitate different temperature measurement applications.

Features:

- Dual-laser Targeting
- 12:1 Distance to spot ratio
- Auto Scan
- Max/Min/Avg/Diff
- High/Low Alarm
- Backlit Display
- Auto Power Off
- Adjustable Emissivity

Measurement

Dual-Laser Targeting		•
Temperature	°F/°C	-22° - 752° F (-30° - 400° C)
Backlight		•
High/Low Alarm	HI/LO	•
Max/Min Value	MAX/MIN	•
Auto Power-Off	Apo	•
Data Hold	HOLD	•
Adjustable Emissivity		0.10 - 1.00

Durability

Drop Protection		6.6 ft. (2 m)
-----------------	--	------------------



Included Accessories:

Pouch, Battery



Cat. No.	UPC# 0-92644+	Batteries	Height	Width	Depth	Weight (oz.)
IR5	69030-3	1 x 9V	6.83" (173 mm)	1.85" (47 mm)	4.53" (115 mm)	9.84 (279 g)



CAUTION: Reflective materials may be hotter than indicated. Laser radiation-Do NOT stare into beam. Class 2 laser product.

°F °C
-22° - 752° F
-30° - 400° C

KLEIN TOOLS
EST. 1857
For Professionals... Since 1857™

See our complete line of Test & Measure products

www.kleintools.com



Pats. Pending



© 2016 Klein Tools, Inc.
Lincolnshire, IL 60069-1418
96445 Rev. 03/16 A

X-ON Electronics

Largest Supplier of Electrical and Electronic Components

Click to view similar products for [Environmental Test Equipment](#) category:

Click to view products by [Klein Tools](#) manufacturer:

Other Similar products are found below :

[CW40](#) [F150C10E3DRT](#) [F150LTC20](#) [F150CD10E2](#) [F150L75](#) [F150LRS](#) [2837806](#) [4328074](#) [4366444](#) [S-11](#) [382153](#) [700PTP-1](#) [GEO-](#)
[CABLE-REEL-50M](#) [H115](#) [H300](#) [F150-SLC50](#) [AW-CO-1000](#) [AW-H2S-100](#) [AW-NmHc-100](#) [ES1-CO-1000-01](#) [TM-197](#) [TM-192](#) [TM-192D](#)
[TM-305U](#) [UT309C](#) [1500000059](#) [HS115](#) [MR59](#) [SHG-02](#) [SHS-05](#) [SHG-01](#) [SHC-07](#) [SHA-01](#) [TESTO 175-H1 0572 1754](#) [TESTO 830-T1](#)
[0560 8311](#) [AX-5002](#) [AX-5003](#) [AX-B150](#) [AX-B180](#) [AX-B350](#) [AX-L230](#) [AX-PH02](#) [F61SB-9100](#) [F61SD-9150](#) [F61TB-9100](#) [F61TB-9200](#)
[IR-710-EUR](#) [IR-720-EUR](#) [IR-730-EUR](#) [LHI807TC](#)