

Mounting bracket PDS-STN

Ref. C24190N00

Ref. arch 24190

- High mechanical and weather resistance

APPLICATION

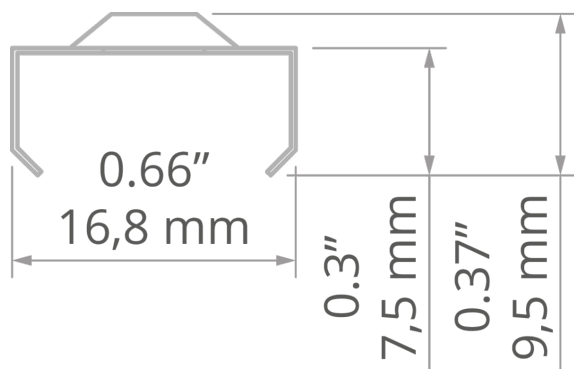
- for mounting LED lighting fixtures

MOUNTING

- to the surface, using a properly selected screw
- to the lighting fixture, with hooks
- easy installation and deinstallation of lighting fixtures by snapping in and out



TECHNICAL DRAWING



TECHNICAL SPECIFICATIONS

Material	stainless steel
Color	■ silver
Width	16.8 mm

Height	9.5 mm
Lifting capacity	5 kg

Mounting bracket PDS-STN

Ref. C24190N00

Ref. arch 24190

RELATED PROFILES > ARCHITECTURAL



REGULATOR

A18068

Ref. arch B468+43

RELATED PROFILES > UNIVERSAL



45-16

A08504

Ref. arch B8504



MICRO-ALU

A01888

Ref. arch B1888



MICRO-PLUS

A02966

Ref. arch C2966



PDS-4-PLUS

A01263

Ref. arch C1263



TAMI

A05390

Ref. arch B5390



TAPO

A01919

Ref. arch C1919

X-ON Electronics

Largest Supplier of Electrical and Electronic Components

Click to view similar products for [LED Lighting Mounting Accessories](#) category:

Click to view products by [KLUS](#) manufacturer:

Other Similar products are found below :

[3SU1900-0AC81-0AA0](#) [3SU1900-0AK10-0AA0](#) [3SU1401-2BB40-3AA0](#) [1SFA616921R2142](#) [A4970001](#) [A4980040](#) [C1900000](#) [C2910001](#)
[C7980001](#) [E4900001S](#) [E4990001](#) [C1010000S](#) [F7000120S](#) [F7000101](#) [1-2213678-6](#) [89270019](#) [C7940001](#) [F1000116](#) [A2000138](#) [A2000116](#)
[84000139](#) [H5010001](#) [89000116](#) [A2000139](#) [70330039P020](#) [84000116](#) [70000139](#) [J6999819](#) [V3000139](#) [J6000121](#) [89000138](#) [H5999901](#)
[89000639](#) [F1999901](#) [63580000](#) [C1999922](#) [76320041S](#) [76000116](#) [J6999902](#) [A00758A07_1](#) [AE-WLPR-60P2](#) [PA-GLAX1M-AL-10](#)
[A05554A_1](#) [C24005C10](#) [PA-ZASGLAXMNKK-00](#) [B17013S_1](#) [A05556A07_1](#) [PA-GLAXMICNK1M-AL](#) [AE-WBCUNI-10DIM](#)
[C24338C02](#)