

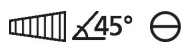
Product information

28 81 280 SB

Long Reach Needle Nose Pliers

With transverse profiles

DIN ISO 5745



Long Reach Needle-Nose Pliers with wave profile

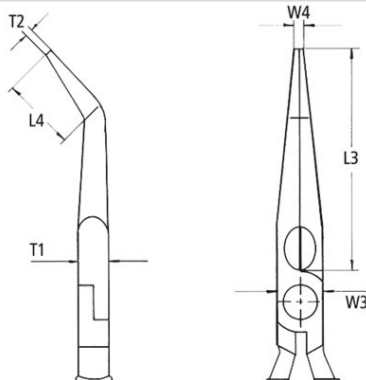
- For gripping, adjustment and assembly work in hard to reach areas thanks to slim, very long design
- Deep down situated parts can be easily reached using the slim, half-round tips
- Careful yet reliable gripping, holding and guiding of small copper pipes, screws and cables as well as other round parts thanks to milled grooves with smooth surfaces
- Serrated pipe grip to grip round parts
- Particularly suitable for work in the automotive trade and in mechanical engineering
- Slim yet robust tool
- Forged from special tool steel, oil-hardened and tempered

General

Article No.	28 81 280 SB
EAN	4003773080886
Pliers	black atramentized
Head	polished
Handles	plastic coated
Weight	250 g
Dimensions	280 x 85 x 21 mm
Standard	DIN ISO 5745
Reach	no
RohS	no

Technical details

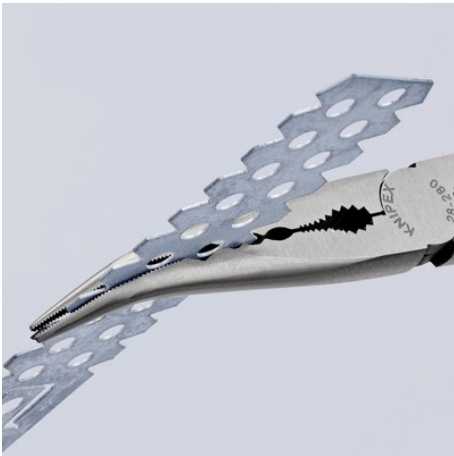
Jaw thickness (joint) (T1)	9.0 mm
Tips width (W4)	2.5 mm
Tips thickness (T2)	2.5 mm
Jaw length (L3)	70.0 mm
Head width (W3)	20.0 mm
Gripping surface length (L4)	20 mm



Classification

eCl@ss 5.1.4	21040301
proficl@ss 6.0	EAB966c007
UNSPSC 13.1	27112108

technical change and errors excepted



X-ON Electronics

Largest Supplier of Electrical and Electronic Components

Click to view similar products for [Pliers & Tweezers](#) category:

Click to view products by [Knipex](#) manufacturer:

Other Similar products are found below :

[0031](#) [32750](#) [PN-5050/38D](#) [PG-TP-30D](#) [PG-DP-18-N](#) [G77015](#) [4-1532129-2](#) [77 12 115](#) [0037](#) [T0058765801](#) [571](#) [76C](#) [37 31 125](#) [RX 8130](#)
[37 33 125](#) [DRP10N](#) [32 11 135](#) [36 12 130](#) [0036](#) [64 11 115](#) [0032](#) [6231-08](#) [PN 5050/19D](#) [PNI 5000](#) [TP 5000/15D](#) [TR 5000 PR](#) [TR 58 R A D](#)
[00 20 08 US2](#) [13 01 614](#) [87 28 250 SBA](#) [INCP8](#) [30993](#) [011820101](#) [011830101](#) [011910110](#) [003780032](#) [003780041](#) [134-69-160](#) [134-69-180](#)
[135-49-VDE-190](#) [137-49-VDE-180](#) [137-49-VDE-200](#) [137-49-VDE-240](#) [137-69-180](#) [137-69-200](#) [137-69-240](#) [138-49-VDE-200](#) [138-69-200](#)
[140-49-VDE-170](#) [140-49-VDE-205](#)