

Product information

92 11 01 ESD

Cutting Tweezers ESD

DIN EN 61340 -5-1



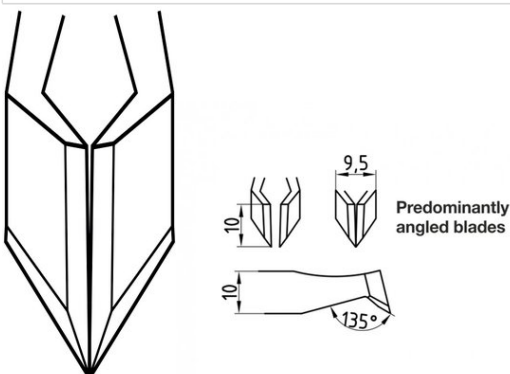
- For particularly demanding precision work: made from high-quality, martensitic hardened steel, tough and highly resistant to corrosion
- Stainless steel with a slim, tapered design for maximum precision when cutting, dissecting and segmenting extremely small objects in tight spaces
- For the electronics industry, as well as repairs and handicrafts
- Mainly used for cutting soft copper, gold or silver wires, as well as magnetic wires
- With extremely hard and sharp oblique cutting nippers
- Also available as an ESD-safe version: with black epoxy resin coating and a surface resistance between 10^4 and 10^9 ohms
- ESD version only: this allows to compensate in a controlled manner the differences in potential between the operator and electronic components

General

Article No.	92 11 01 ESD
EAN	4003773086727
Weight	27 g
Dimensions	115 x 11 x 17 mm
Standard	DIN EN 61340 -5-1
Reach	no
RohS	no

Technical details

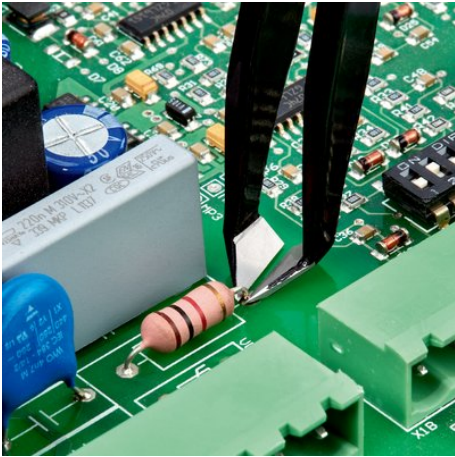
Tips width (A)	4.75 mm
Tips width (B)	10 mm
Tweezers tip version	Cutting Edges
Corrosion-resistant	yes
	yes
VDE tested	no
sectors	Industry electronics



Classification

eCl@ss 5.1.4	21040500
ETIM 5.0	EC000182
ETIM 6.0	EC000182
proficl@ss 6.0	EAB696c019

technical change and errors excepted



X-ON Electronics

Largest Supplier of Electrical and Electronic Components

Click to view similar products for [Antistatic Control Products](#) category:

Click to view products by [Knipex](#) manufacturer:

Other Similar products are found below :

[13020](#) [13490](#) [13870](#) [13879](#) [13881](#) [13883](#) [13882](#) [14404](#) [2202SP](#) [2229](#) [2230](#) [300515](#) [3039](#) [37061](#) [42470](#) [09060](#) [09857](#) [42516](#) [37059](#)
[04563](#) [17252](#) [19691](#) [19695](#) [09037](#) [09826](#) [09813](#) [66070](#) [100816](#) [68101](#) [68103](#) [98132](#) [73741](#) [13868](#) [13485](#) [13457](#) [13245](#) [13440](#) [13420](#)
[13332](#) [13205](#) [13135](#) [91070](#) [8031](#) [8523](#) [66085](#) [5822448](#) [40931](#) [37113](#) [37109](#) [37081](#)