

Product information

92 21 02

Precision Tweezers



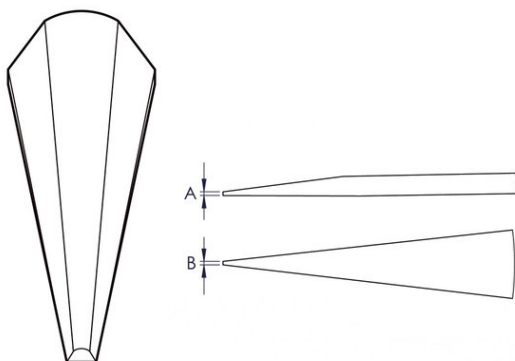
- For particularly demanding precision work: tough and highly resistant to corrosion
- Handcrafted: polished edges and an excellent matt, scratch-free and non-reflective surface
- For the electronics industry, watchmakers, jewellers, laboratories with biological and medical applications in moderately aggressive chemical environments
- High-quality premium stainless steel: high temperature resistance and excellent corrosion resistance to most chemicals, salts and acids
- Ideally suited for microscopic work, precision handling, repairs, manufacturing electronic components, as well as other general applications; tips are guaranteed to have perfect symmetry and balance
- Also available as a set (92 00 02)
- Premium stainless steel

General

| | |
|-------------------|--------------------------|
| Article No. | 92 21 02 |
| EAN | 4003773085065 |
| Material | premium stainless steel |
| Gripping surfaces | smooth gripping surfaces |
| Weight | 12 g |
| Dimensions | 110 x 9.5 x 11 mm |
| Reach | no |
| RohS | no |

Technical details

| | |
|---------------------|----------------------|
| Tips width (A) | 0.12 mm |
| Tips width (B) | 0.18 mm |
| Corrosion-resistant | yes |
| | no |
| VDE tested | no |
| sectors | Industry electronics |



Classification

| | |
|----------------|------------|
| eCl@ss 5.1.4 | 21040500 |
| ETIM 5.0 | EC000182 |
| ETIM 6.0 | EC000182 |
| proficl@ss 6.0 | EAB696c019 |

technical change and errors excepted



X-ON Electronics

Largest Supplier of Electrical and Electronic Components

Click to view similar products for [Knipex](#) manufacturer:

Other Similar products are found below :

[74 05 200](#) [70 07 160](#) [7902120](#) [92 22 13](#) [97 49 08](#) [97 49 15](#) [97 49 65](#) [97 49 68 1](#) [97 53 09](#) [98 03 09](#) [1182130](#) [12 82 130](#) [90 59 280](#) [97 49 66](#)
[1](#) [97 90 10](#) [98 03 11](#) [16 60 05 SB](#) [34 12 130](#) [48 11 J0](#) [09 12 240](#) [00 20 16](#) [00 20 16 P](#) [00 21 35 LE](#) [00 11 07](#) [00 19 57](#) [98 56 09](#) [97 90 25](#) [97](#)
[54 27](#) [97 54 26](#) [97 49 24](#) [49 11 A4](#) [49 21 A41](#) [95 32 315 A](#) [95 06 230](#) [94 19 185](#) [94 10 185](#) [92 27 62](#) [92 27 61](#) [8702250](#) [87 02 180 T](#)
[7752115](#) [77 02 135 H ESD](#) [16 40 150](#) [71 01 250](#) [97 90 21](#) [97 49 44](#) [97 40 20 SB](#) [11 02 160](#) [79 12 125](#) [79 22 125](#)