

Product information

92 21 05

Mini Precision Tweezers



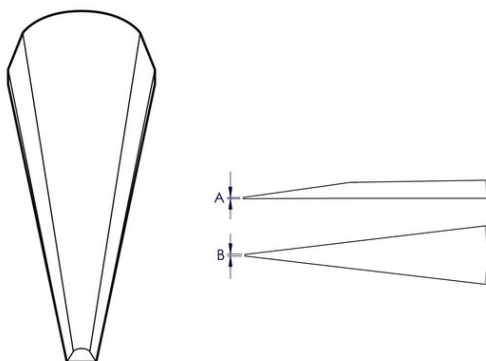
- For particularly demanding precision work: tough and highly resistant to corrosion
- Handcrafted: polished edges and an excellent matt, scratch-free and non-reflective surface
- For the electronics industry, watchmakers, jewellers, laboratories with biological and medical applications in moderately aggressive chemical environments
- High-quality premium stainless steel: high temperature resistance and excellent corrosion resistance to most chemicals, salts and acids
- Extra short and lightweight tweezers with narrow tips
- Ideal for working in confined spaces, under the microscope and for precision close work.
- Ideal for sample handling, microscopy preparation, sorting, precision manufacturing, electronic assembly, rework and repair
- Premium stainless steel

General

Article No.	92 21 05
EAN	4003773086703
Material	premium stainless steel
Gripping surfaces	smooth gripping surfaces
Weight	7 g
Dimensions	70 x 7 x 7.5 mm
Reach	no
RohS	no

Technical details

Tips width (A)	0.1 mm
Tips width (B)	0.2 mm
Corrosion-resistant	yes
	no
VDE tested	no
sectors	Industry electronics



Classification

eCl@ss 5.1.4	21040500
ETIM 5.0	EC000182
ETIM 6.0	EC000182
proficl@ss 6.0	EAB696c019

technical change and errors excepted

X-ON Electronics

Largest Supplier of Electrical and Electronic Components

Click to view similar products for [Knipex manufacturer](#):

Other Similar products are found below :

[74 05 200](#) [70 07 160](#) [7902120](#) [92 22 13](#) [95 05 155SB](#) [97 49 08](#) [97 49 15](#) [97 49 65](#) [97 49 68 1](#) [97 53 09](#) [98 03 09](#) [1182130](#) [12 82 130](#) [90 59](#)
[280](#) [97 49 66 1](#) [97 90 10](#) [98 03 11](#) [16 60 05 SB](#) [34 12 130](#) [48 11 J0](#) [09 12 240](#) [00 20 16](#) [00 20 16 P](#) [00 21 35 LE](#) [00 11 07](#) [00 19 57](#) [98 56](#)
[09](#) [97 90 25](#) [97 54 27](#) [97 54 26](#) [97 49 24](#) [49 11 A4](#) [49 21 A41](#) [95 32 315 A](#) [95 06 230](#) [94 19 185](#) [94 10 185](#) [92 27 62](#) [92 27 61](#) [8702250](#) [87](#)
[02 180 T](#) [77 02 135 H ESD](#) [16 40 150](#) [71 01 250](#) [97 90 21](#) [97 49 44](#) [97 40 20 SB](#) [11 02 160](#) [79 12 125](#) [79 22 125](#)