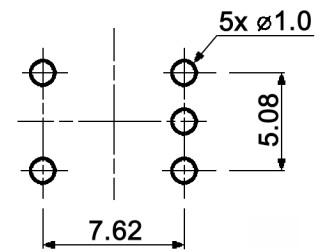
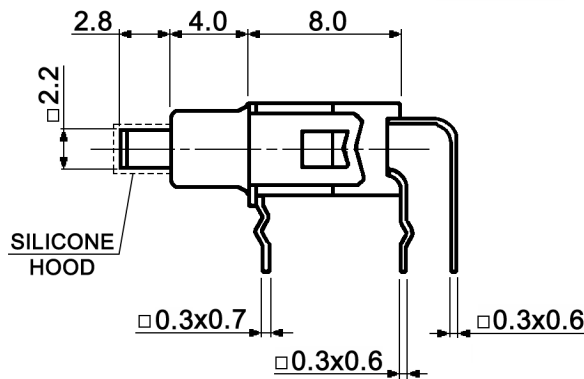


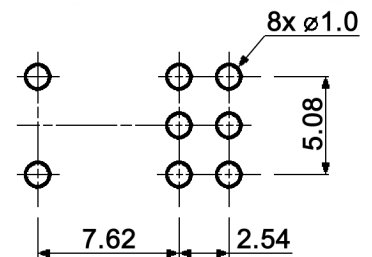
P.C. MOUNTING



ASE 1 x-RA



P.C. MOUNTING



ASE 2 x-RA

Specifications:

- Contact rating: max. 50mA, 0.4VA; max. 48V AC/DC  
min. 1µA, 20mV AC/DC
- Contact resistance: 50Ohm max.
- Insulation resistance: 500Mohm min. at 250V DC
- Dielectric strength: 500V, 50Hz for the duration of 1 minute
- Operating temperature: -20°C to +85°C
- Mechanical life: min. 60 000 cycles
- Soldering conditions: auto-soldering: max.: 260 +/-5°C, 5 +/-1sec.
- Mounting: on pc-board
- The cap can be removed after washing
- Material: Contacts: phosphor bronze, gold plated over nickel barrier  
Terminals: PC terminals, crimped, phosphor bronze, gold plated over nickel barrier  
Case: PBT, meets UL94V-0, washable  
Metal parts: nickel plated brass

x	Switch function
D	on - on
E	on - off - on

The closed contacts correspond to the slide position.

UL file number: E140532



Tolerances:	Date	Name
		08/09
Modifications	Date	Name

ASE 1 x-RA / ASE 2 x-RA

knitter-switch

30 17 01

Page

1/1

## X-ON Electronics

Largest Supplier of Electrical and Electronic Components

*Click to view similar products for [Slide Switches](#) category:*

*Click to view products by [Knitter-Switch](#) manufacturer:*

Other Similar products are found below :

[6-1437581-1](#) [M43R](#) [MHS123K15D](#) [MHSS1104A](#) [MMD](#) [GH49S010001](#) [GH49WW00001](#) [1437576-8](#) [EPS1PC1](#) [1825074-1](#) [1825160-3](#)  
[1825167-2](#) [25139NLDB](#) [25436NLDB](#) [25449NAH](#) [25536NA](#) [L101011ML04B](#) [SLB1240R45](#) [SLSA12004](#) [1825078-1](#) [1825080-4](#) [1825081-1](#)  
[1825269-1](#) [1825270-2](#) [STS141RA04](#) [T2215BEN506](#) [GF-124-0204](#) [GH46P000001](#) [GH46W000001](#) [GH49P010001](#) [25339NA](#) [25436NLDH](#)  
[CST91246FK](#) [TG36P000000](#) [TG36P000050](#) [47227LFE](#) [49331L](#) [MHSS1105A](#) [50208L](#) [HW4S-5LF22N3](#) [L202091MS02Q](#) [4-1437581-7](#)  
[X2225CR-437W](#) [48BFSP3M2QT](#) [49329L](#) [1101M1S3ZB8E2](#) [1-1437581-1](#) [EG1218REDACTUATOR](#) [TG39W000000](#) [1825075-1](#)