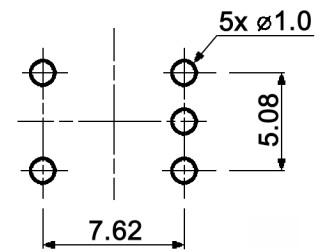
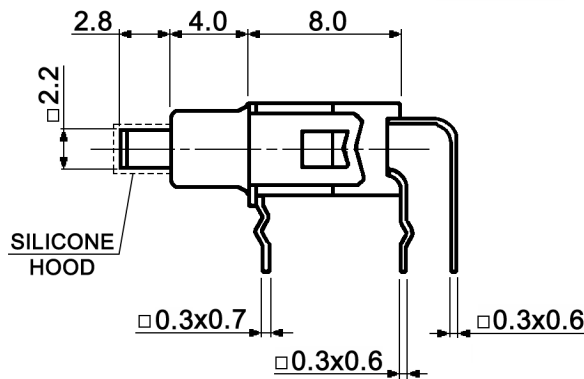


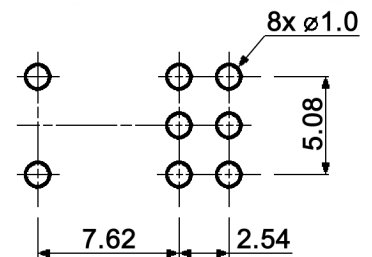
P.C. MOUNTING



ASE 1 x-RA



P.C. MOUNTING



ASE 2 x-RA

Specifications:

- Contact rating: max. 50mA, 0.4VA; max. 48V AC/DC
min. 1µA, 20mV AC/DC
- Contact resistance: 50Ohm max.
- Insulation resistance: 500Mohm min. at 250V DC
- Dielectric strength: 500V, 50Hz for the duration of 1 minute
- Operating temperature: -20°C to +85°C
- Mechanical life: min. 60 000 cycles
- Soldering conditions: auto-soldering: max.: 260 +/-5°C, 5 +/-1sec.
- Mounting: on pc-board
- The cap can be removed after washing
- Material: Contacts: phosphor bronze, gold plated over nickel barrier
Terminals: PC terminals, crimped, phosphor bronze, gold plated over nickel barrier
Case: PBT, meets UL94V-0, washable
Metal parts: nickel plated brass

x	Switch function
D	on - on
E	on - off - on

The closed contacts correspond to the slide position.

UL file number: E140532



Tolerances:	Date	Name
		08/09
Modifications	Date	Name

ASE 1 x-RA / ASE 2 x-RA

knitter-switch

30 17 01

Page

1/1

X-ON Electronics

Largest Supplier of Electrical and Electronic Components

Click to view similar products for [Slide Potentiometers](#) category:

Click to view products by [Knitter-Switch](#) manufacturer:

Other Similar products are found below :

[M22](#) [MHS133K](#) [MSS12A](#) [MSSA22](#) [M42A](#) [MSS42G](#) [SS-4928](#) [RSA0K11A901L](#) [SLB124145](#) [SLB1340R45](#) [RA6020F-10-20D1-B50K](#)
[RA4520F-10-20D1-B50K](#) [TSS11AGPC](#) [X22205CAAF](#) [448XC2103BDN](#) [X22205A-437W](#) [T22205BAAE](#) [SS-22J08-G5](#) [X22205AAAL](#)
[K22208EAAG](#) [PS15-10PC1BR10K](#) [1101M1S3ZQI2](#) [1201M1S1ZBE2](#) [1101M2S4AGE2](#) [1101M2S6ABE2](#) [1201M1S3ZBE2](#) [EVA-](#)
[JQKR15Y14](#) [EVA-NADR15A14](#) [EVA-NADR15D14](#) [EVA-NE4R15A14](#) [EVB-NADR15Y14](#) [ASE1D](#) [ASE1E](#) [ASE2D](#) [MFP113D](#) [MFP130](#)
[MFP1323](#) [MFP1424](#) [MFP161D](#) [MFP2220R](#) [MFP231P](#) [MFP261N](#) [MMP1010DRA1](#) [MMP131](#) [L202021MS02Q](#) [MFP120](#) [MFP 130 R](#)
[MFP1323R](#) [MFP140](#) [MFP140-R](#)