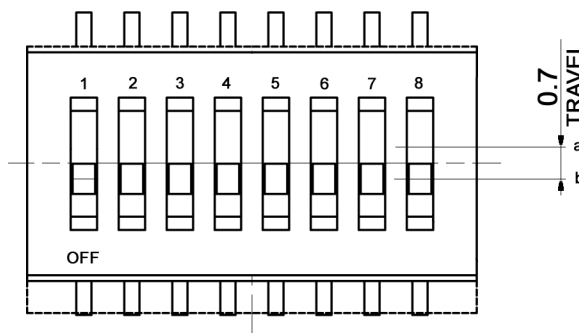
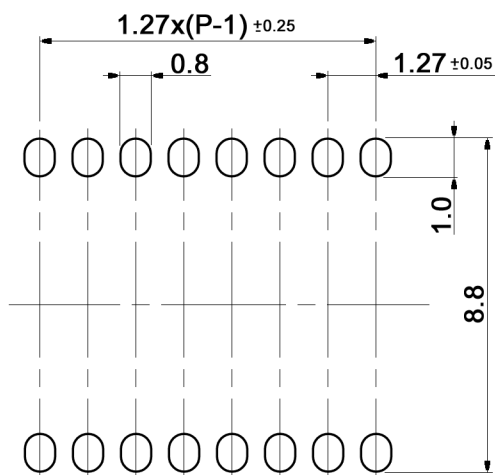
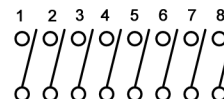


P.C. MOUNTING



SCHEMATIC



Specifications:

Contact rating: switching: 100mA, 6V; 25mA, 24V
 non-switching: 100mA, 50V DC
Contact resistance: 100mOhm max.
Insulation resistance: 100MOhm min. at 100V DC
Dielectric strength: 250CV, 50Hz for the duration of 1 minute
Operating temperature: -20°C to +80°C
Storage temperature: -55°C to +85°C
Mechanical life: min. 1 000 cycles
Operating force: max. 400gf
Soldering conditions: reflow soldering: max.: 250°C, 10sec.
Mounting: on pc-board - SMD
Sealing: by protective tape, washable by aqueous detergents and isopropyl alcohol
Material: Cover / base: PPS, resin, black
 Slider: nylon, yellow
 Contact: copper alloy, gold plated over nickel
 Terminal: copper alloy, gold flash over nickel
 Tape: polyimide

Poles	A
4	6.81
6	9.35
8	11.89
10	14.43



Tolerances:	Date	Name
	06/13	dr
Sealing	11/13	dr
Modifications	Date	Name

DHS 1xx

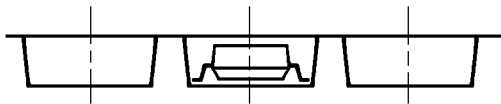
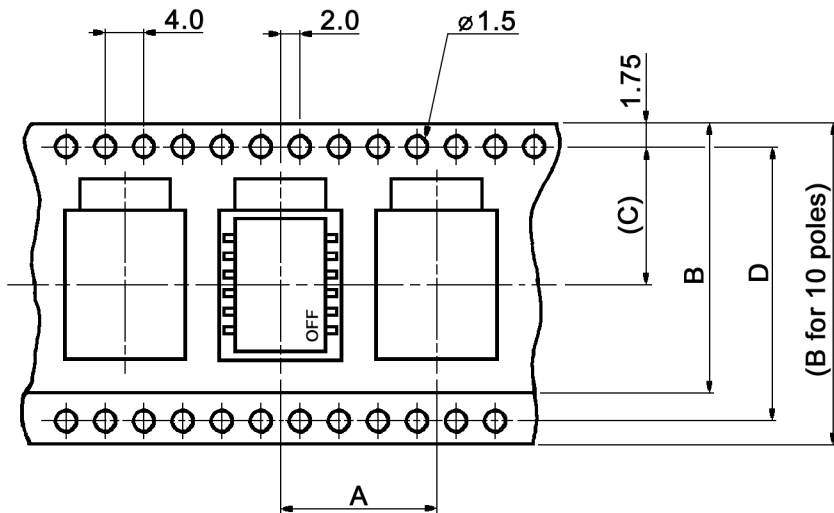
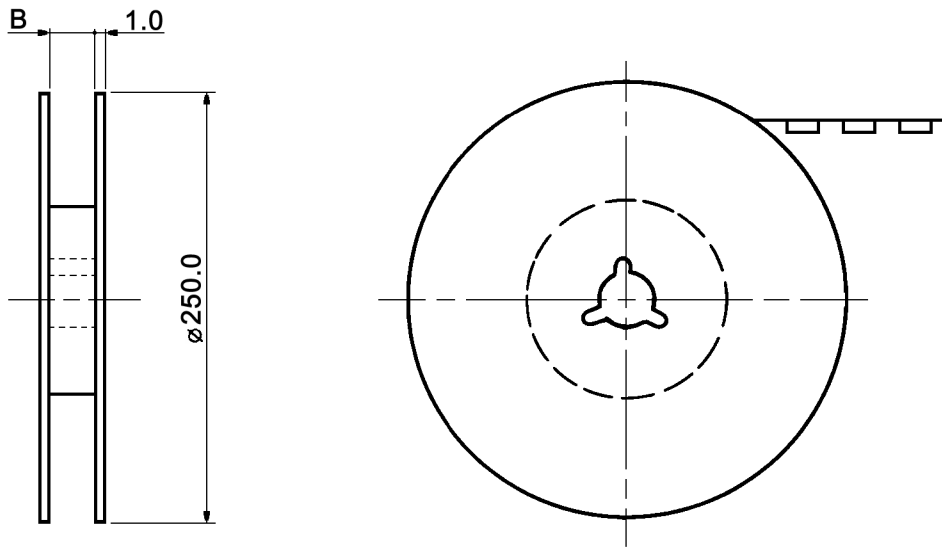
30 28 77

Page

1/2

knitter-switch

Packaging:



xx	A (mm)	B (mm)	(C) (mm)	D (mm)	Packaging unit (pcs. / reel)
04	12.0	24.0	11.5	-	1 000
06	16.0	24.0	11.5	-	700
08	12.0	24.0	11.5	-	1 000
10	16.0	32.0	14.2	28.4	700



Tolerances:			Date	Name	DHS 1xx
			06/13	dr	
			knitter-switch		30 28 77
					Page 2/2
Modifications	Date	Name			

X-ON Electronics

Largest Supplier of Electrical and Electronic Components

Click to view similar products for [DIP Switches/SIP Switches](#) category:

Click to view products by [Knitter-Switch](#) manufacturer:

Other Similar products are found below :

[09.400BP.04](#) [106-EM04-EV](#) [106-EM08-EV](#) [106-LP04-EV](#) [106-LPD04-EV](#) [106-SDN06-EV](#) [1-1437507-0](#) [1-1437507-6](#) [1-1571983-1](#) [1-1571983-3](#) [1-1571983-4](#) [1-1571983-5](#) [1-1571998-3](#) [1-1571999-1](#) [1-1571999-6](#) [1-161347-2](#) [1-1825002-0](#) [1-1825002-3](#) [1-1825002-4](#) [1-1825002-7](#) [1-1825002-8](#) [1-1825006-1](#) [1-1825006-3](#) [1-1825006-6](#) [1-1825006-7](#) [1-1825006-9](#) [1-1825007-0](#) [1-1825007-3](#) [1-1825008-0](#) [1-1825008-2](#) [1-1825013-1](#) [1-1825013-7](#) [1-1825013-9](#) [1-1825057-0](#) [1-1825058-3](#) [1-1825058-6](#) [1-1825058-9](#) [1-1825059-1](#) [1-1825059-2](#) [1-1825059-3](#) [1-1825059-4](#) [1-1825059-7](#) [1-1825059-8](#) [1-1825059-9](#) [1-1825190-0](#) [1-1825286-0](#) [1-382394-5](#) [1-382394-7](#) [1-435802-5](#) [1-435802-](#)