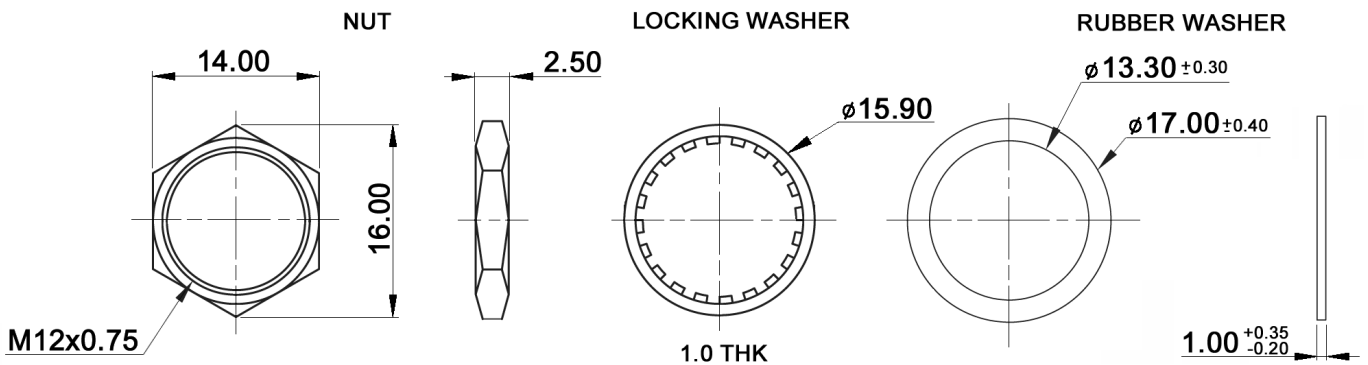


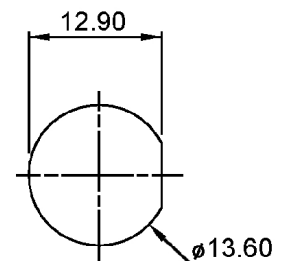
HARDWARE:



SWITCH FUNCTION

Model No.	POS. 1	POS. 2
DPW 1 CG	OFF	MOM
Term. Comm.	OPEN	SHORT

PANEL CUT-OUT



Compliance: RohS III (2015/863/EU)

Tolerances: 0.00: ±0.25mm 0.0: ±0.40mm		Date	Name
Accessory	10/19	dr	
IP rating	07/11	dr	
Revised	11/10	dr	
Hardware	06/10	dr	
Actuator color black	06/08	dr	
Operating temperature	04/08	dr	
Water proofing	03/08	dr	
Modifications	Date	Name	

DPW 1 CG x

knitter-switch

30 12 18

Page

1/2

Specifications:

Contact rating: max.: 400mA, 32V AC; 100mA, 50V DC; 125mA, 125V AC
 Contact resistance: 50mOhm max.
 Insulation resistance: 1GOhm min. at 500V DC
 Dielectric strength: 1 000V AC
 Operating temperature: -30°C to +85°C
 Mechanical life: 1 000 000 cycles
 Electrical life: 500 000 cycles
 Operating force: 3N +/-1N
 Soldering conditions: 350°C max., 3sec.
 Travel: 1.5mm
 Panel thickness: 1.5mm min.; 4.0mm max.
 Torque: 0.5Nm max. applied to nut
 Water proofing: IP 67
 Material: Case: DAP UL94V-0
 Bushing / cap: polyamide 6/6
 Terminal / contact: gold over silver plated
 IP rating: IP 67 (mounted)

X=CAP COLOR	
W	white
K	black
R	red
O	orange
Y	yellow
G	green
B	blue

Compliance: RohS III (2015/863/EU)

Tolerances: 0.00: ±0.25mm 0.0: ±0.40mm			Date	Name	DPW 1 CG x
Accessory	10/19	dr	08/07	dr	
IP rating	07/11	dr			
Revised	11/10	dr			
Hardware	06/10	dr			
Actuator color black	06/08	dr			
Operating temperature	04/08	dr			
Water proofing	03/08	dr			
Modifications	Date	Name	knitter-switch		30 12 18
					Page 2/2

X-ON Electronics

Largest Supplier of Electrical and Electronic Components

Click to view similar products for [Pushbutton Switches](#) category:

Click to view products by [Knitter-Switch](#) manufacturer:

Other Similar products are found below :

[8940K2012](#) [8971K1133](#) [LW1L-M1C10V-A](#) [LW1L-M1C70-A](#) [LW2L-A1C20M-GD](#) [LW2L-M1C20M-A](#) [60324L](#) [M22-D-R-GB0/K11](#) [M7E-HRN2](#) [67021K512](#) [67081K512X](#) [701PB580](#) [7199K101](#) [810K12910](#) [810KSV30B](#) [MML21EA2ADK](#) [MML21KA3ABK](#)
[MML23KA3AC05K-001](#) [MML23KW3AA01W](#) [8418K2](#) [8442K3](#) [8450K1](#) [860K11911T01A](#) [861901](#) [861K11911T01A07](#)
[861K13810T00A14](#) [861K13911](#) [8646AB6X718UL](#) [8646ABUL](#) [9001KXRK](#) [907AYY100](#) [PMHD155A1](#) [9533CD4+U574+U4922](#) [95-414.000](#) [99-450.837](#) [99-453.837](#) [PV3H2B0NN-341](#) [1203MRA](#) [A22NZBGANGA](#) [A22NZBNANGA](#) [A22NZMPATRA](#) [A2PMA1X03EC56](#)
[A3A-5123-02](#) [A3A-7140](#) [A3A-7310](#) [A3A-7340](#) [A3U-TMW-A2C-5M](#) [A595](#) [12037A2ULCSA](#) [ABD122N-B](#)