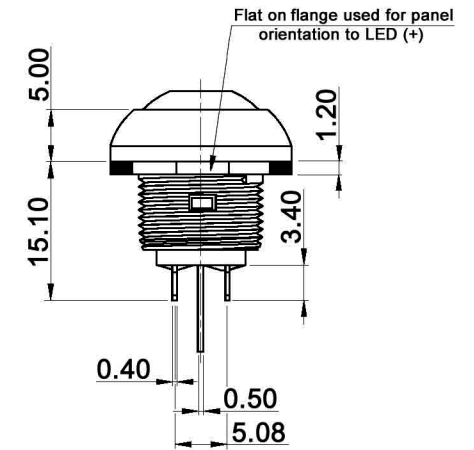
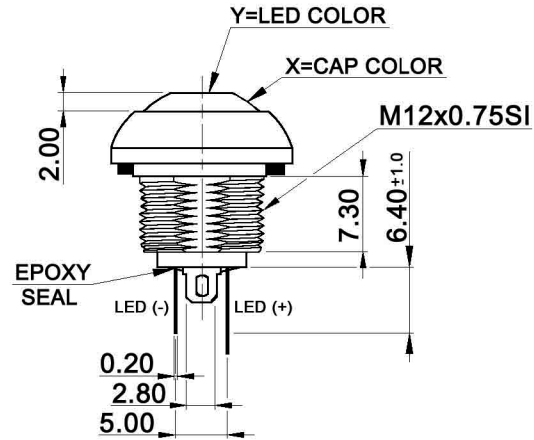
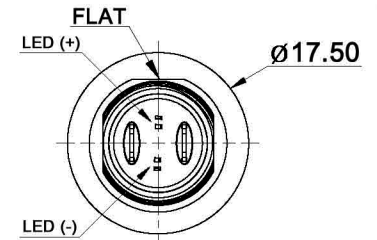
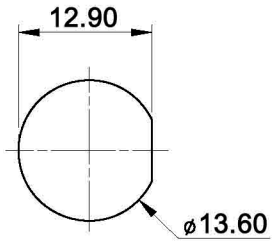
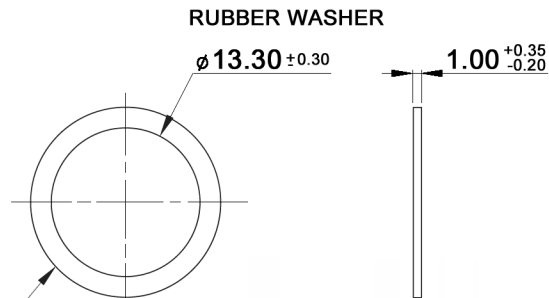
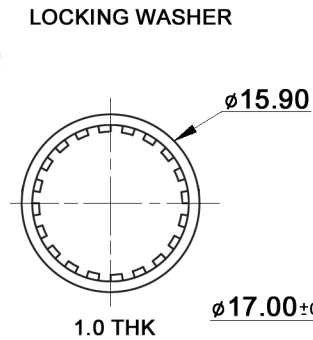
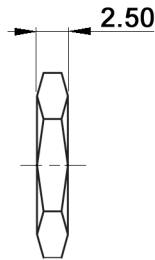
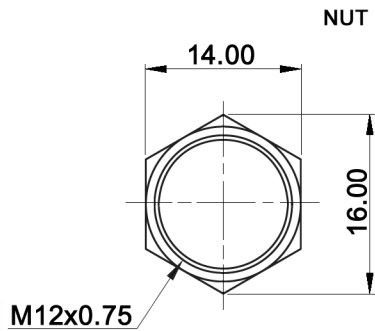


PANEL CUT-OUT



HARDWARE:



Compliance: RohS III (2015/863/EU)

Tolerances: 0.00: ±0.25mm 0.0: ±0.40mm			Date	Name
Accessory	10/19	dr	02/08	dr
LED	05/17	dr		
LED colour table	06/10	dr		
Actuator color black	06/08	dr		
Operating temperature	04/08	dr		
Water proofing	04/08	dr		
Modifications	Date	Name		

DPWL 1 CG-xy

knitter-switch

30 13 72

Page

1/2

Specifications:

Contact rating: max.: 400mA, 32V AC; 100mA, 50V DC; 125mA, 125V AC
Contact resistance: 50mOhm max.
Insulation resistance: 1GOhm min at 500V DC
Dielectric strength: 1 000V AC RMS
Operating temperature: -30°C to +85°C
Electrical life: 500 000 cycles at full load
Operating force: 2N - 5N
Contact bounce: 10 ms
Torque: 0.5Nm max. applied to nut
Soldering conditions: 300°C max., 3sec.
Total travel: 1.5mm
Panel thickness: 1.5mm min., 4.0mm max.
IP rating: IP 67 (mounted)
Material: Case: DAP UL94V-0
 Cap / bushing: polyamide 6/6
 Terminal / contacts: gold over silver plated



Lens appearance	Colour	Electro-optical data (at 20mA)				Peak wavelength	Viewing angle
		Vf (V)		Iv (mcd)			
		Typ.	max.	Typ.	max.		
Water clear	white (at 5mA)	3.2	3.6	250.0	94.0	x=0.28 y=0.29	35°
	super red	1.7	2.6	60.0	28.0	660.0	
	super yellow	2.1	2.6	200.0	94.0	590.0	
	super green	2.0	2.6	100.0	42.0	570.0	
	super blue	3.2	3.6	150.0	63.0	470.0	
	super yellow	2.1	2.6	200.0	94.0	590.0	
	super green	2.0	2.6	80.0	42.0	570.0	
	super yellow	2.1	2.6	200.0	94.0	590.0	
	super blue	3.2	3.6	200.0	94.0	460.0	
	super yellow	2.1	2.6	100.0	63.0	590.0	
	super red	2.0	2.6	90.0	42.0	630.0	
	super red	2.0	2.6	90.0	42.0	630.0	
	super green	2.0	2.6	90.0	42.0	570.0	
	super red	2.0	2.6	90.0	42.0	630.0	
super blue	3.2	3.6	200.0	94.0	460.0		
super green	2.0	2.6	100.0	42.0	570.0		
super blue	3.2	3.6	200.0	94.0	460.0		

X=CAP COLOR	
W	white
K	black
R	red
O	orange
Y	yellow
G	green
B	blue

Y=LED COLOR	
W	white
R	red
Y	yellow
G	green
B	blue

Bi-color: ordering code on request

SWITCH FUNCTION

Model No.	POS. 1	POS. 2
		
DPWL 1 CG	OFF	MOM
Term. Conn.	OPEN	SHORT

Compliance: RohS III (2015/863/EU)

Tolerances: 0.00: ±0.25mm 0.0: ±0.40mm			Date	Name	<h1>DPWL 1 CG-xy</h1>
Accessory	10/19	dr	02/08	dr	
LED	05/17	dr			
LED colour table	06/10	dr			
Actuator color black	06/08	dr			
Operating temperature	04/08	dr	knitter-switch		<h2>30 13 72</h2>
Water proofing	04/08	dr			
Modifications	Date	Name			2/2

X-ON Electronics

Largest Supplier of Electrical and Electronic Components

Click to view similar products for [Pushbutton Switches](#) category:

Click to view products by [Knitter-Switch](#) manufacturer:

Other Similar products are found below :

[8940K2012](#) [8971K1133](#) [LW1L-M1C10V-A](#) [LW1L-M1C70-A](#) [LW2L-A1C20M-GD](#) [LW2L-M1C20M-A](#) [60324L](#) [M22-D-R-GB0/K11](#) [M7E-HRN2](#) [67021K512](#) [67081K512X](#) [701PB580](#) [7199K101](#) [810K12910](#) [810KSV30B](#) [MML21EA2ADK](#) [MML21KA3ABK](#)
[MML23KA3AC05K-001](#) [MML23KW3AA01W](#) [8418K2](#) [8442K3](#) [8450K1](#) [860K11911T01A](#) [861901](#) [861K11911T01A07](#)
[861K13810T00A14](#) [861K13911](#) [8646AB6X718UL](#) [8646ABUL](#) [9001KXRK](#) [907AYY100](#) [PMHD155A1](#) [9533CD4+U574+U4922](#) [95-414.000](#) [99-450.837](#) [99-453.837](#) [PV3H2B0NN-341](#) [1203MRA](#) [A22NZBGANGA](#) [A22NZBNANGA](#) [A22NZMPATRA](#) [A2PMA1X03EC56](#)
[A3A-5123-02](#) [A3A-7140](#) [A3A-7310](#) [A3A-7340](#) [A3U-TMW-A2C-5M](#) [A595](#) [12037A2ULCSA](#) [ABD122N-B](#)