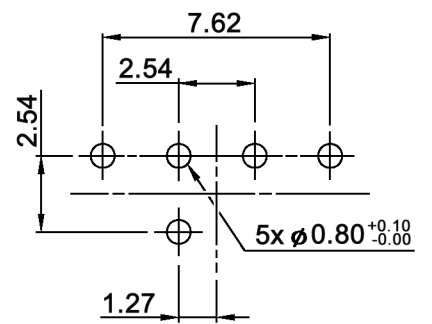


P.C.B. LAYOUT



CIRCUIT CHARACTERISTIC																
CODE	POSITION ● ON															
	0	1	2	3	4	5	6	7	8	9	A	B	C	D	E	F
1		●		●		●		●		●		●		●		●
2			●	●			●	●			●	●			●	●
4					●	●	●	●					●	●	●	●
8									●	●	●	●	●	●	●	●

Compliance: RohS II (2011/65/EU)

Tolerances: ±0.20mm max.	Date	Name
	12/07	dr
Specifications	02/09	dr
Dimensions	02/09	dr
Operating temperature	04/08	dr
Modifications	Date	Name

**DRR 3016**

**knitter-switch**

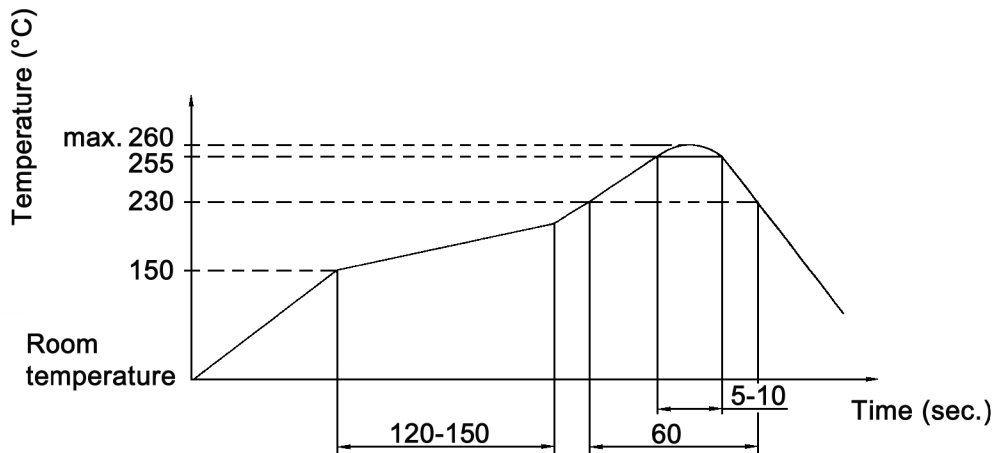
**30 13 14**

Page

1/2

Specifications:

**Contact rating:** non-switching: 100mA, 50V DC  
 switching: 30mA, 15V DC  
**Contact resistance:** 100mOhm max.  
**Insulation resistance:** 1 000MOhm min. at 250V DC  
**Dielectric strength:** 250V AC for 1 minute  
**Operating temperature:** -40°C to +85°C  
**Mechanical life:** 20 000 cycles min.  
**Operating force:** 250 gf.cm max.  
**Material:** Base / cover: high-temp. thermoplastic nylon UL94V-0,  
 molded black  
 Movable contact: alloy copper, gold plated  
 Actuator: high-temp. thermoplastic nylon UL94V-0,  
 color: yellow  
 O-ring: silicone  
 Spring: stainless steel  
 Terminals / contacts: brass, gold plated  
**Soldering conditions:** wave soldering: 260°C, 5sec. max.  
 through hole reflow: 260 +/-5°C, 4-6sec.



Compliance: RohS II (2011/65/EU)

Tolerances: ±0.20mm max.			Date	Name	<b>DRR 3016</b>
			02/09	dr	
Specifications	02/09	dr	<b>knitter-switch</b>		<b>30 13 14</b>
Dimensions	02/09	dr			
Operating temperature	04/08	dr			
Modifications	Date	Name			Page 2/2

## X-ON Electronics

Largest Supplier of Electrical and Electronic Components

*Click to view similar products for [Coded Rotary Switches](#) category:*

*Click to view products by [Knitter-Switch](#) manufacturer:*

Other Similar products are found below :

[PT65SG178](#) [PT65SG23](#) [DRS4010](#) [CW1S-2E11](#) [S-1031A](#) [SBS1004](#) [P36S101TR](#) [P65THR101L254](#) [RM3AF-10R-V-T/R](#) [RH3HAF-10R-V-B](#)  
[PT65501RT](#) [P25SMT101TR](#) [P65SMT101](#) [P65THR101V](#) [MSDR-10H1](#) [GSDR-10S](#) [01-1433](#) [07-3153](#) [07-3154](#) [CRD10CM0SBR](#) [DRS4116](#)  
[94HCB16RAT](#) [94HCB10T](#) [94HBB16WT](#) [94HBB16RAT](#) [94HBB10WT](#) [94HBB10RAT](#) [94HBB08RAT](#) [94HAC10T](#) [94HAB16WT](#)  
[94HAB16T](#) [94HAB10WT](#) [94HAB10RAT](#) [94HAB08WT](#) [94HAB08RAT](#) [ND3FR10P](#) [ND3FR16B-R](#) [DRR3110](#) [94HEB08WRT](#)  
[94HCB16WT](#) [94HCB16T](#) [94HCB10RAT](#) [94HCB08T](#) [94HBB16T](#) [94HBB10T](#) [94HBB08T](#) [94HAB16RAT](#) [94HAB10T](#) [94HAB08T](#) [S-2011A](#)