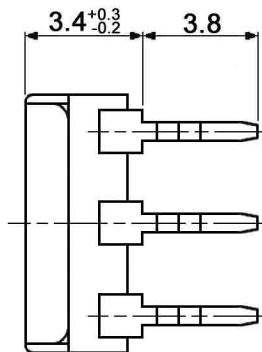


YM = date code



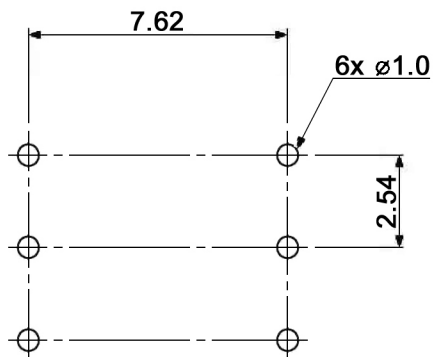
Y Manufacturing year

8	2008
9	2009
0	2010
1	2011
2	2012

M Manufacturing month

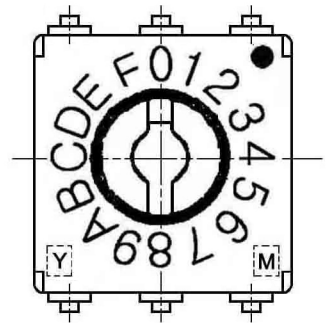
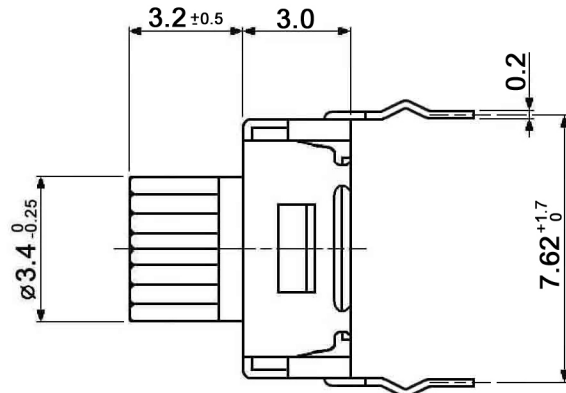
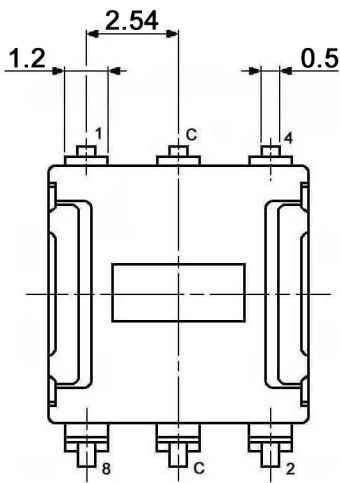
1	January
...	...
9	September
0	October
N	November
D	December

P.C.B. LAYOUT

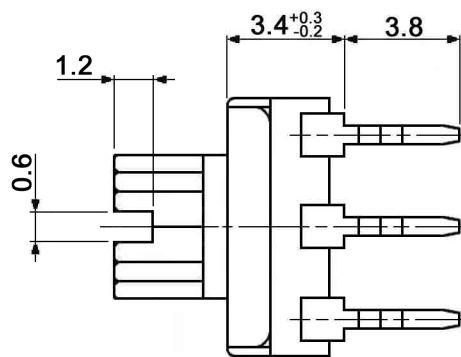


Compliance: RohS II (2011/65/EU)

Tolerances: <3: ±0.2mm 3-6: ±0.3mm 6-30: ±0.5mm	Date	Name	<b>DRS 13000 / DRS 14000</b>
	09/12	dr	
			<b>30 26 99</b>
Sealing	01/17	dr	<b>knitter-switch</b>
Modifications	Date	Name	
			Page 1/4



YM = date code



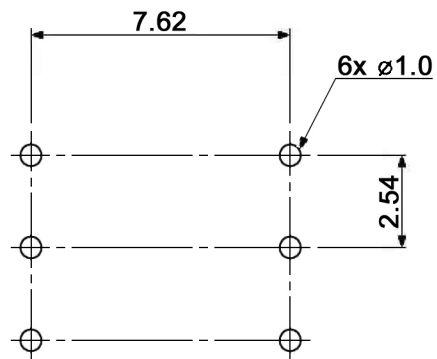
Y Manufacturing year

8	2008
9	2009
0	2010
1	2011
2	2012

M Manufacturing month

1	January
...	...
9	September
0	October
N	November
D	December

P.C.B. LAYOUT



Compliance: RohS II (2011/65/EU)

Tolerances: <3: ±0.2mm 3-6: ±0.3mm 6-30: ±0.5mm	Date	Name	<b>DRS 13000 / DRS 14000</b>	<b>30 26 99</b>	Page
	09/12	dr			2/4
			<b>knitter-switch</b>	<b>30 26 99</b>	
Modifications	Date	Name			

**Specifications:**

**Contact rating:** max.: non-switching: 100mA, 50V DC  
 switching: 100mA, 5V DC  
 min.: 1µA, 20mV AC or DC  
**Contact resistance:** 200mOhm max. at 1.5mA; 0.2mV AC (1kHz)  
**Insulation resistance:** 1 000MOhm min. at 100V DC  
**Dielectric strength:** 250V AC for 1 minute  
**Operating temperature:** -25°C to +75°C  
**Storage temperature:** -40°C to +85°C  
**Mechanical life:** 20 000 cycles min.  
**Operating force:** 24.5mN.m max.  
**Soldering conditions:** wave soldering: max. 260°C, 5sec.  
 pre-heat: max. 100°C, 60sec.  
**Packing unit:** 65 pcs. / tube  
**Sealing:** by O-ring, washable by aqueous detergents and isopropyl alcohol  
**Material:** Terminal: phosphor bronze, gold over nickel plated  
 Base: liquid crystal polymer, black  
 Frame: stainless steel  
 Rotor: polyamide resin  
 Fixed contact: phosphor bronze, gold over nickel plated  
 Movable contact: beryllium copper, gold over nickel plated

**Compliance: RohS II (2011/65/EU)**

Tolerances: <3: ±0.2mm 3-6: ±0.3mm 6-30: ±0.5mm	Date	Name	<b>DRS 13000 / DRS 14000</b>
	09/12	dr	
			<b>30 26 99</b>
			Page
			3/4
Modifications	Date	Name	

		BCD				
		Real coded				
10 P o s i t i o n s		C	1	2	4	8
	0	●				
	1	●	●			
	2	●		●		
	3	●	●	●		
	4	●			●	
	5	●	●		●	
	6	●		●	●	
	7	●	●	●	●	
	8	●				●
9	●	●			●	

		Hexadecimal				
		Real coded				
16 P o s i t i o n s		C	1	2	4	8
	0	●				
	1	●	●			
	2	●		●		
	3	●	●	●		
	4	●			●	
	5	●	●		●	
	6	●		●	●	
	7	●	●	●	●	
	8	●				●
	9	●	●			●
	A	●		●		●
	B	●	●	●		●
	C	●			●	●
	D	●	●		●	●
	E	●		●	●	●
F	●	●	●	●	●	

		BCD inverse				
		Complement coded				
10 P o s i t i o n s		C	1	2	4	8
	0	●	●	●	●	●
	1	●		●	●	●
	2	●	●		●	●
	3	●			●	●
	4	●	●	●		●
	5	●		●		●
	6	●	●			●
	7	●				●
	8	●	●	●	●	
9	●		●	●		

		Hexadecimal inverse				
		Complement coded				
16 P o s i t i o n s		C	1	2	4	8
	0	●	●	●	●	●
	1	●		●	●	●
	2	●	●		●	●
	3	●			●	●
	4	●	●	●		●
	5	●		●		●
	6	●	●			●
	7	●				●
	8	●	●	●	●	
	9	●		●	●	
	A	●	●		●	
	B	●			●	
	C	●	●	●		
	D	●		●		
	E	●	●			
F	●					

Ordering code	Actuation	Code
DRS 13010	screw driver	10 pos. real, ivory
DRS 14010	shaft	10 pos. real, ivory
DRS 13016	screw driver	16 pos. real, ivory
DRS 14016	shaft	16 pos. real, ivory
DRS 13110	screw driver	10 pos. inverse, red
DRS 14110	shaft	10 pos. inverse, red
DRS 13116	screw driver	16 pos. inverse, red
DRS 14116	shaft	16 pos. inverse, red

Compliance: RohS II (2011/65/EU)

Tolerances: <3: ±0.2mm 3-6: ±0.3mm 6-30: ±0.5mm	Date	Name	<b>DRS 13000 / DRS 14000</b>
	09/12	dr	
Modifications	Date	Name	

**knitter-switch**

**30 26 99**

Page

4/4

## X-ON Electronics

Largest Supplier of Electrical and Electronic Components

*Click to view similar products for [Coded Rotary Switches](#) category:*

*Click to view products by [Knitter-Switch](#) manufacturer:*

Other Similar products are found below :

[PT65SG178](#) [PT65SG23](#) [DRS4010](#) [CW1S-2E11](#) [S-1031A](#) [SBS1004](#) [P36S101TR](#) [P65THR101L254](#) [RM3AF-10R-V-T/R](#) [RH3HAF-10R-V-B](#)  
[PT65501RT](#) [P25SMT101TR](#) [P65SMT101](#) [P65THR101V](#) [MSDR-10H1](#) [GSDR-10S](#) [01-1433](#) [07-3153](#) [07-3154](#) [CRD10CM0SBR](#) [DRS4116](#)  
[94HCB16RAT](#) [94HCB10T](#) [94HBB16WT](#) [94HBB16RAT](#) [94HBB10WT](#) [94HBB10RAT](#) [94HBB08RAT](#) [94HAC10T](#) [94HAB16WT](#)  
[94HAB16T](#) [94HAB10WT](#) [94HAB10RAT](#) [94HAB08WT](#) [94HAB08RAT](#) [ND3FR10P](#) [ND3FR16B-R](#) [DRR3110](#) [94HEB08WRT](#)  
[94HCB16WT](#) [94HCB16T](#) [94HCB10RAT](#) [94HCB08T](#) [94HBB16T](#) [94HBB10T](#) [94HBB08T](#) [94HAB16RAT](#) [94HAB10T](#) [94HAB08T](#) [S-2011A](#)