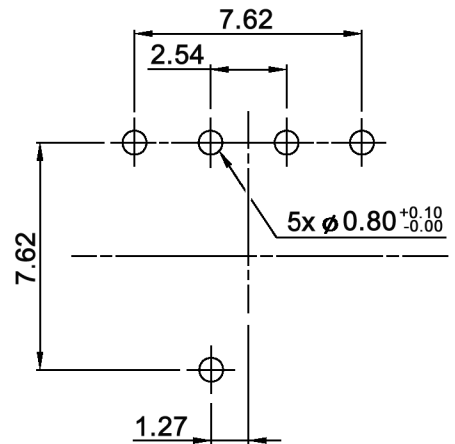


TYPE	CIRCUIT CHARACTERISTIC																
	CODE	POSITION ● ON															
		0	1	2	3	4	5	6	7	8	9	A	B	C	D	E	F
DRS 3116	1	●		●		●		●		●		●		●		●	
	2	●	●			●	●			●	●			●	●		
	4	●	●	●	●					●	●	●	●				
	8	●	●	●	●	●	●	●	●								

P.C.B. LAYOUT



Compliance: RohS II (2011/65/EU)

Tolerances: ±0.20mm max.	Date	Name
	01/08	dr
Delivery position	11/11	dr
Dimensions	02/09	dr
Dimensions	06/08	dr
Operating temperature	04/08	dr
Modifications	Date	Name

DRS 3116

30 13 21

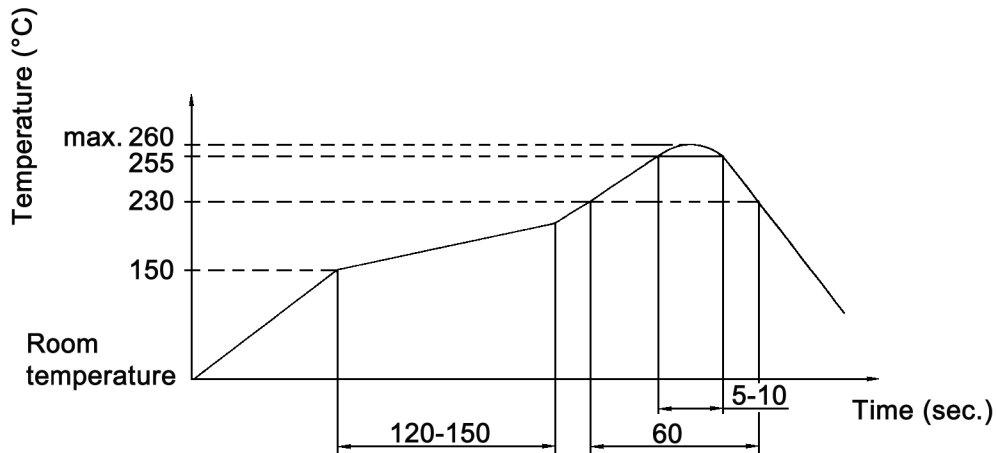
knitter-switch

Page

1/2

Specifications:

Contact rating: non-switching: 100mA, 50V DC
 switching: 30mA, 15V DC
Contact resistance: 100mOhm max.
Insulation resistance: 1 000MOhm min. at 250V DC
Dielectric strength: 250V AC for 1 minute
Operating temperature: -40°C to +85°C
Mechanical life: 20 000 cycles min.
Operating force: 250 gf.cm max.
Material: Base / cover: high-temp. thermoplastic nylon UL94V-0,
 molded black
 Movable contact: alloy copper, gold plated
 Actuator: high-temp. thermoplastic nylon UL94V-0,
 color: red
 O-ring: silicone
 Spring: stainless steel
 Terminal: brass, gold plated
Soldering conditions: wave soldering: 260°C, 5sec. max.
 through hole reflow: 260 +/-5°C, 4-6sec.



Compliance: RohS II (2011/65/EU)

Tolerances: ±0.20mm max.	Date	Name	DRS 3116
	12/07	dr	
			30 13 21
			Page
			2/2
Modifications	Date	Name	

X-ON Electronics

Largest Supplier of Electrical and Electronic Components

Click to view similar products for [Coded Rotary Switches](#) category:

Click to view products by [Knitter-Switch](#) manufacturer:

Other Similar products are found below :

[PT65SG178](#) [PT65SG23](#) [DRS4010](#) [CW1S-2E11](#) [S-1031A](#) [SBS1004](#) [P36S101TR](#) [P65THR101L254](#) [RM3AF-10R-V-T/R](#) [RH3HAF-10R-V-B](#)
[PT65501RT](#) [P25SMT101TR](#) [P65SMT101](#) [P65THR101V](#) [MSDR-10H1](#) [GSDR-10S](#) [01-1433](#) [07-3153](#) [07-3154](#) [CRD10CM0SBR](#) [DRS4116](#)
[94HCB16RAT](#) [94HCB10T](#) [94HBB16WT](#) [94HBB16RAT](#) [94HBB10WT](#) [94HBB10RAT](#) [94HBB08RAT](#) [94HAC10T](#) [94HAB16WT](#)
[94HAB16T](#) [94HAB10WT](#) [94HAB10RAT](#) [94HAB08WT](#) [94HAB08RAT](#) [ND3FR10P](#) [ND3FR16B-R](#) [DRR3110](#) [94HEB08WRT](#)
[94HCB16WT](#) [94HCB16T](#) [94HCB10RAT](#) [94HCB08T](#) [94HBB16T](#) [94HBB10T](#) [94HBB08T](#) [94HAB16RAT](#) [94HAB10T](#) [94HAB08T](#) [S-2011A](#)