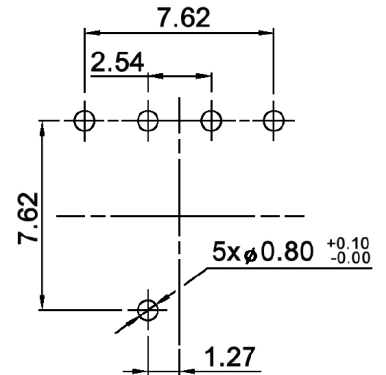


datecode of 2 digits

1. digit: year (8=2008)
2. digit: month (1 to 9 Jan to Sept, X Y Z Oct to Dec)

P.C.B. LAYOUT



TYPE	CIRCUIT CHARACTERISTIC											
	CODE	POSITION									● ON	
		0	1	2	3	4	5	6	7	8	9	
DRS 4010	1		●		●		●		●		●	
	2			●	●			●	●			
	4					●	●	●	●			
	8										●	●

Compliance: RohS II (2011/65/EU)

Tolerances: ±0.20mm max.		Date	Name	<h1>DRS 4010</h1>	
		12/07	dr		
Dimension	03/09	dr			
Dimensions	02/09	dr			
RoHS	06/08	dr	knitter-switch	<h1>30 13 22</h1>	
Dimensions	06/08	dr			Page
Operating temperature	04/08	dr			1/2
Modifications	Date	Name			

Specifications:

Contact rating: non-switching: 100mA, 50V DC
switching: 30mA, 15V DC

Contact resistance: 100mOhm max.

Insulation resistance: 1 000MOhm min. at 250V DC

Dielectric strength: 250V AC for 1 minute

Operating temperature: -40°C to +85°C

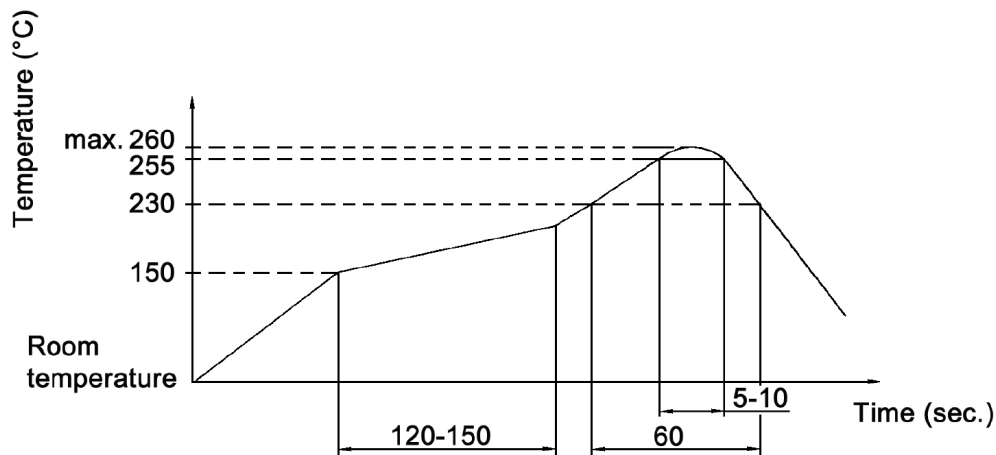
Mechanical life: 20 000 cycles min.

Operating force: 250 gf.cm max.

Material: Base / cover: high-temp. thermoplastic nylon UL94V-0,
molded black
Movable contact: alloy copper, gold plated
Actuator: high-temp. thermoplastic nylon UL94V-0,
color: yellow
O-ring: silicone
Spring: stainless steel
Terminal: brass, gold plated

RoHS compliant and free from DecaBDE

Soldering conditions: wave soldering: 260°C, 5sec. max.
through hole reflow: 260 +/-5°C, 4-6sec.



Compliance: RohS II (2011/65/EU)

Tolerances: ±0.20mm max.	Date	Name	DRS 4010
	12/07	dr	
			30 13 22
			Page
			2/2
Modifications	Date	Name	

knitter-switch

X-ON Electronics

Largest Supplier of Electrical and Electronic Components

Click to view similar products for [Coded Rotary Switches](#) category:

Click to view products by [Knitter-Switch](#) manufacturer:

Other Similar products are found below :

[PT65SG178](#) [PT65SG23](#) [DRS4010](#) [CW1S-2E11](#) [S-1031A](#) [SBS1004](#) [P36S101TR](#) [P65THR101L254](#) [RM3AF-10R-V-T/R](#) [RH3HAF-10R-V-B](#)
[PT65501RT](#) [P25SMT101TR](#) [P65SMT101](#) [P65THR101V](#) [MSDR-10H1](#) [GSDR-10S](#) [01-1433](#) [07-3153](#) [07-3154](#) [CRD10CM0SBR](#) [DRS4116](#)
[94HCB16RAT](#) [94HCB10T](#) [94HBB16WT](#) [94HBB16RAT](#) [94HBB10WT](#) [94HBB10RAT](#) [94HBB08RAT](#) [94HAC10T](#) [94HAB16WT](#)
[94HAB16T](#) [94HAB10WT](#) [94HAB10RAT](#) [94HAB08WT](#) [94HAB08RAT](#) [ND3FR10P](#) [ND3FR16B-R](#) [DRR3110](#) [94HEB08WRT](#)
[94HCB16WT](#) [94HCB16T](#) [94HCB10RAT](#) [94HCB08T](#) [94HBB16T](#) [94HBB10T](#) [94HBB08T](#) [94HAB16RAT](#) [94HAB10T](#) [94HAB08T](#) [S-2011A](#)