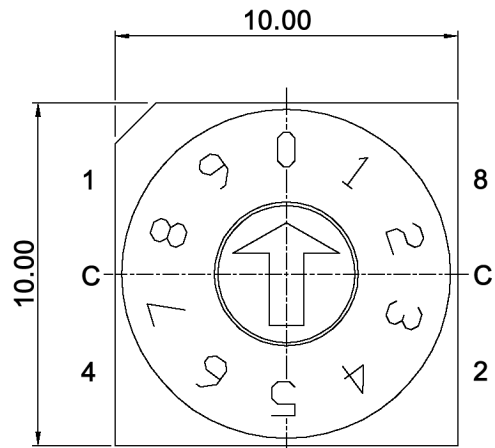
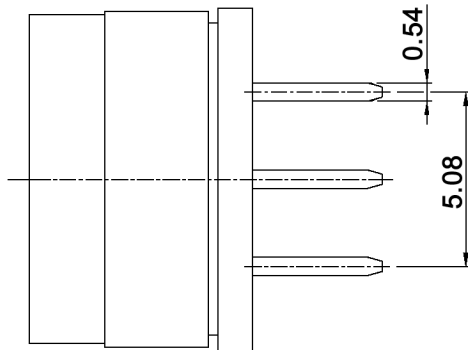
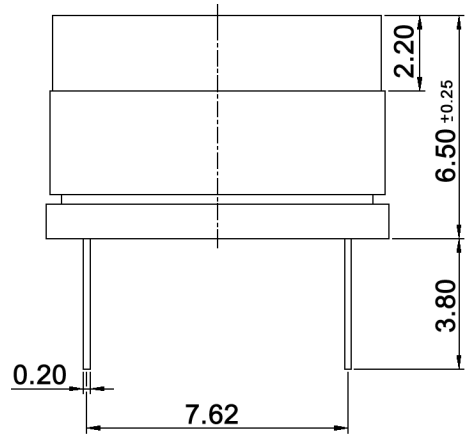
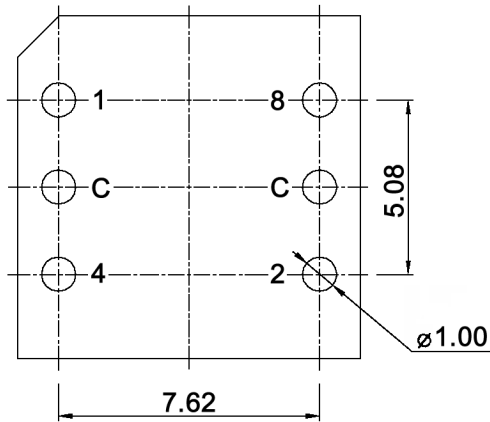


P.C.B. DIMENSION



Specifications:

- Contact rating: switching: 25mA, 24V DC
non-switching: 100mA, 50V DC
- Contact resistance: 80mOhm max.
- Insulation resistance: 100MOhm min.
- Mechanical life: 10 000 cycles
- Operating force: 700gf max.
- Operating temperature: -40°C to +85°C
- Storage temperature: -40°C to +85°C
- Soldering conditions: pre-heat: max. 120°C, max. 70sec.
wave soldering: max. 260°C, max. 10sec.
- Color of actuator: grey
- IP rating: IP67

BCD

		Real coded				
		C	1	2	4	8
10 Positions	0	●				
	1	●	●			
	2	●		●		
	3	●	●	●		
	4	●			●	
	5	●	●		●	
	6	●		●	●	
	7	●	●	●	●	
	8	●				●
	9	●	●			●



Tolerances:			Date	Name
			04/07	dr
Soldering conditions	01/11	dr		
IP rating	07/09	dr		
Operating temperature	11/08	dr		
Coding scheme	02/08	dr		
Temperatures	01/08	dr		
Modifications	Date	Name		

DRS 60010

knitter-switch

30 11 07

Page

1/1

X-ON Electronics

Largest Supplier of Electrical and Electronic Components

Click to view similar products for [Coded Rotary Switches](#) category:

Click to view products by [Knitter-Switch](#) manufacturer:

Other Similar products are found below :

[PT65SG178](#) [PT65SG23](#) [DRS4010](#) [CW1S-2E11](#) [S-1031A](#) [SBS1004](#) [P36S101TR](#) [P65THR101L254](#) [RM3AF-10R-V-T/R](#) [RH3HAF-10R-V-B](#)
[PT65501RT](#) [P25SMT101TR](#) [P65SMT101](#) [P65THR101V](#) [MSDR-10H1](#) [GSDR-10S](#) [01-1433](#) [07-3153](#) [07-3154](#) [CRD10CM0SBR](#) [DRS4116](#)
[94HCB16RAT](#) [94HCB10T](#) [94HBB16WT](#) [94HBB16RAT](#) [94HBB10WT](#) [94HBB10RAT](#) [94HBB08RAT](#) [94HAC10T](#) [94HAB16WT](#)
[94HAB16T](#) [94HAB10WT](#) [94HAB10RAT](#) [94HAB08WT](#) [94HAB08RAT](#) [ND3FR10P](#) [ND3FR16B-R](#) [DRR3110](#) [94HEB08WRT](#)
[94HCB16WT](#) [94HCB16T](#) [94HCB10RAT](#) [94HCB08T](#) [94HBB16T](#) [94HBB10T](#) [94HBB08T](#) [94HAB16RAT](#) [94HAB10T](#) [94HAB08T](#) [S-2011A](#)