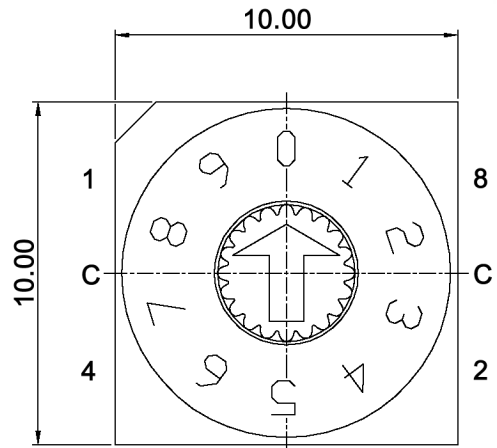
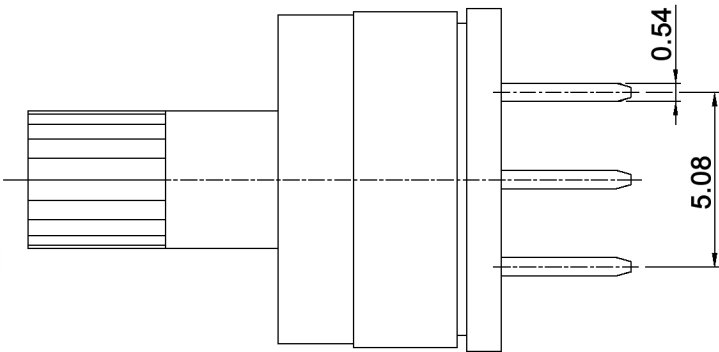
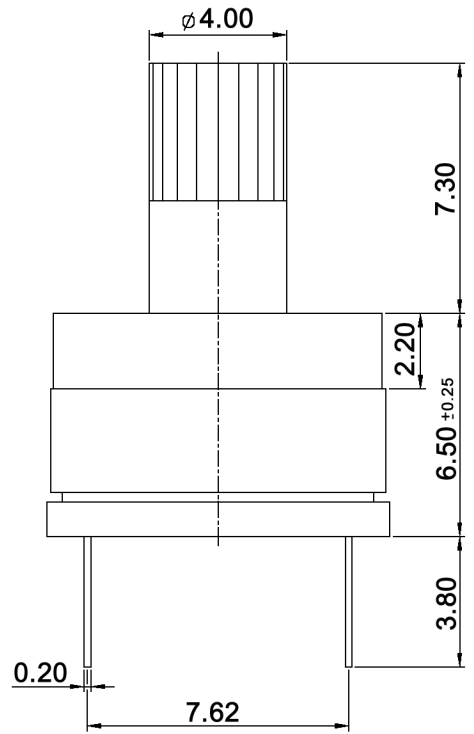
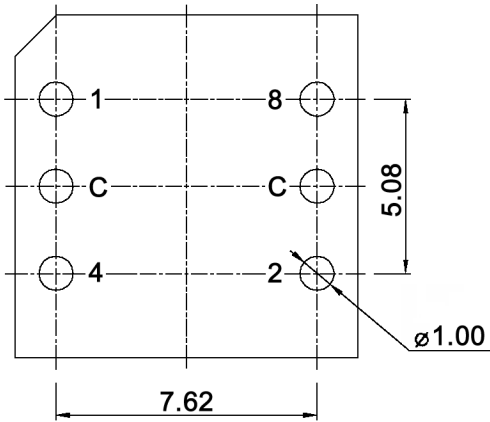


P.C.B. DIMENSION



Compliance: RohS III (2015/863/EU)

Tolerances:		Date	Name	<h1>DRS 61110</h1>
		02/08	dr	
Material	02/21	dr		<h1>30 13 84</h1>
Soldering conditions	01/11	dr		
IP rating	07/09	dr		
Operating temperature	11/08	dr		
Modifications	Date	Name		Page
				1/2

**knitter-switch**

Specifications:

**Contact rating:** switching: 150mA, 42V DC  
 non-switching: 200mA, 42V DC  
**Contact resistance:** 80mOhm max.  
**Insulation resistance:** 100MOhm min.  
**Mechanical life:** 10 000 cycles  
**Operating force:** 700gf max.  
**Operating temperature:** -40°C to +85°C  
**Storage temperature:** -40°C to +85°C  
**Soldering conditions:** pre-heat: max. 120°C, max. 70sec.  
 wave soldering: max. 260°C, max. 10sec.  
**IP rating:** IP67  
**Material:** Cover: PA66, white  
 O-ring: silicone, black  
 Actuator: POM, ivory  
 PCB: epoxy  
 Base: PA66, black  
 Contact / terminal: phosphor bronze, min. 0.07µm gold plated  
 over min. 0.1µm nickel

BCD inverse

		Complement coded				
		C	1	2	4	8
10 P o s i t i o n s	0	●	●	●	●	●
	1	●			●	●
	2	●	●			●
	3	●			●	●
	4	●	●	●		●
	5	●		●		●
	6	●	●			●
	7	●				●
	8	●	●	●	●	
	9	●		●	●	

Compliance: RohS III (2015/863/EU)

Tolerances:			Date	Name	<b>DRS 61110</b>
			02/08	dr	
Material	02/21	dr	<b>knitter-switch</b>		<b>30 13 84</b>
Soldering conditions	01/11	dr			
IP rating	07/09	dr			
Operating temperature	11/08	dr			Page
Modifications	Date	Name			2/2

## X-ON Electronics

Largest Supplier of Electrical and Electronic Components

*Click to view similar products for [Coded Rotary Switches](#) category:*

*Click to view products by [Knitter-Switch](#) manufacturer:*

Other Similar products are found below :

[94HBB10W](#) [PT65503RT](#) [P60A703](#) [RTE16](#) [LFTSVTPL](#) [13613](#) [RTAP31S12WFLSP](#) [01-1104](#) [01-1123](#) [01-1164](#) [01-1234](#) [01-1263](#) [01-1424](#)  
[07-3153](#) [07-3154](#) [CRD10CM0SBR](#) [DRS4116](#) [RTE1600R44](#) [ERD116CSZ](#) [ERD116RSZ](#) [ERD716M06Z](#) [94HCB16RAT](#) [94HCB10T](#)  
[94HBB16WT](#) [94HBB16RAT](#) [94HBB10WT](#) [94HBB10RAT](#) [94HBB08RAT](#) [94HAC10T](#) [94HAB16WT](#) [94HAB16T](#) [94HAB10WT](#)  
[94HAB10RAT](#) [94HAB08WT](#) [94HAB08RAT](#) [ERD216RSZ](#) [P65SMT101](#) [P65SMT103](#) [P65THR101L254](#) [P65THR703L254](#) [ND3FR10P](#)  
[DRR3110](#) [S-4010TA](#) [94HCB16WT](#) [94HCB16T](#) [94HCB10RAT](#) [94HCB08T](#) [94HBB16T](#) [94HBB10T](#) [94HBB08T](#) [94HAB16RAT](#)  
[94HAB10T](#)