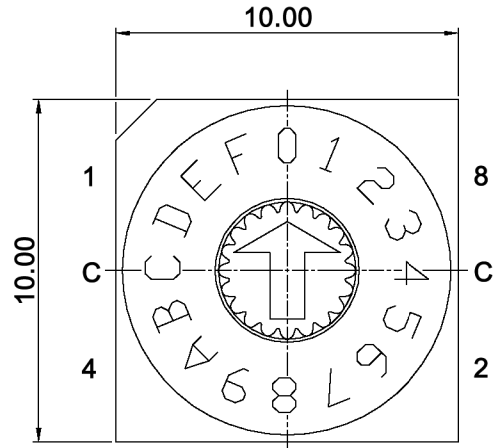
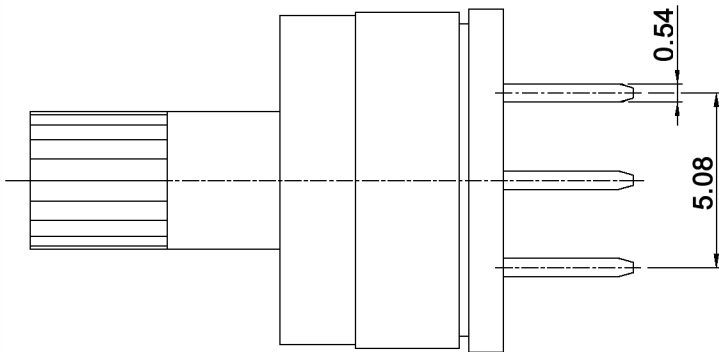
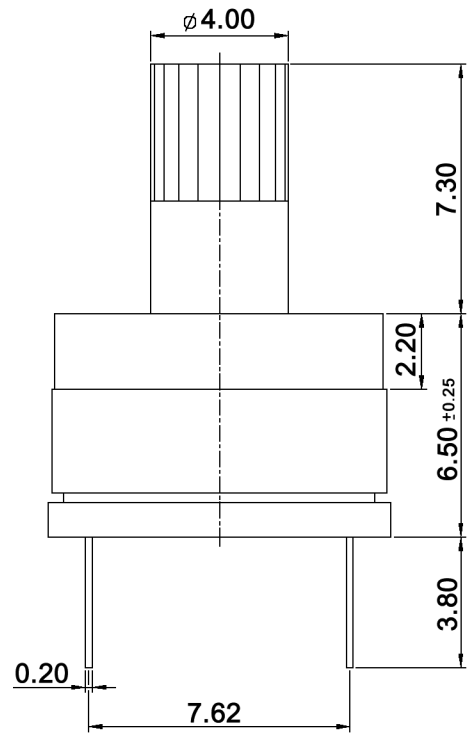
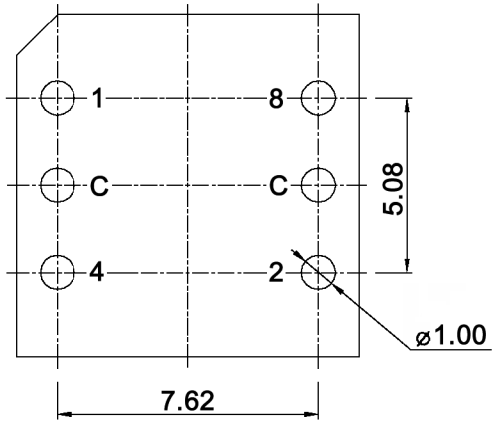


P.C.B. DIMENSION



Compliance: RohS III (2015/863/EU)

Tolerances:		Date	Name	<h1>DRS 61116</h1>
		02/08	dr	
Material	02/21	dr		<h1>30 13 86</h1>
Soldering conditions	01/11	dr		
IP rating	07/09	dr		
Operating temperature	11/08	dr		
Modifications	Date	Name		<b>knitter-switch</b>
				<b>30 13 86</b>
				Page
				1/2

**Specifications:**

**Contact rating:** switching: 150mA, 42V DC  
 non-switching: 200mA, 42V DC  
**Contact resistance:** 80mOhm max.  
**Insulation resistance:** 100MOhm min.  
**Mechanical life:** 10 000 cycles  
**Operating force:** 700gf max.  
**Operating temperature:** -40°C to +85°C  
**Storage temperature:** -40°C to +85°C  
**Soldering conditions:** pre-heat: max. 120°C, max. 70sec.  
 wave soldering: max. 260°C, max. 10sec.  
**IP rating:** IP67  
**Material:** Cover: PA66, white  
 O-ring: silicone, black  
 Actuator: POM, ivory  
 PCB: epoxy  
 Base: PA66,black  
 Contact / terminal: phosphor bronze, min. 0.07µm gold plated  
 over min. 0.1µm nickel

**Hexadecimal inverse**

	Complement coded				
	C	1	2	4	8
0	●	●	●	●	●
1	●		●	●	●
2	●	●		●	●
3	●			●	●
4	●	●	●		●
5	●		●		●
6	●	●			●
7	●				●
8	●	●	●	●	
9	●		●	●	
A	●	●		●	
B	●			●	
C	●	●	●		
D	●		●		
E	●	●			
F	●				

Compliance: RohS III (2015/863/EU)

Tolerances:	Date	Name	<b>DRS 61116</b>	<b>30 13 86</b>	Page
	02/08	dr			
Material	02/21	dr	<b>knitter-switch</b>	<b>30 13 86</b>	2/2
Soldering conditions	01/11	dr			
IP rating	07/09	dr			
Operating temperature	11/08	dr			
Modifications	Date	Name			

## X-ON Electronics

Largest Supplier of Electrical and Electronic Components

*Click to view similar products for [Knitter-Switch](#) manufacturer:*

Other Similar products are found below :

[YME IP 12L-U](#) [YME IP 16 N](#) [MSS 3112 D](#) [MTG 406 P](#) [DPW1CGK](#) [YME IP 12 D](#) [YME IP 01 A](#) [YME IP 12 H](#) [YME IP 12L](#) [YME IP 16 I](#)  
[KM 609](#) [LP 2 S NG](#) [MTA406PA](#) [SMR13016](#) [MTA 306 D](#) [PLSJ 1](#) [MPSA-22E08-150](#) [MTE 306 E](#) [MTG206PA](#) [KM403](#) [MTA 306 F](#)  
[DRS61110](#) [KM407](#) [MTL 206 N](#) [KA 3109](#) [MTG 106 H](#) [MTE 206 S](#) [MTE 406 N](#) [MTG 406 N](#) [MTA 206 T](#) [R675](#) [C1103](#) [DPWL 1 CG D1A-](#)  
[RG](#) [STM206NRA](#) [MTA 406 S](#) [MPG206R](#) [DPW 1 CG-B](#) [MTA206S](#) [DPWL 1 CG-RR](#) [DPWL 1 CG D1A-KR](#) [KM 603](#) [KM 604](#) [KM 608](#)  
[DPWL 1 CG D1A-GR](#) [DPWL 1 CG D2D-GR](#) [LD 32 S](#) [FT 1 E](#) [DPW1AG-B](#) [DPWL 1 CG D2D-RG](#) [MTE 106 E](#)