



## Specifications:

Contact rating:	250 V AC, 3 A / 125 V AC, 6 A 30 V DC, 4 A / 12 V DC, 5 A 6 V DC, 6 A
Contact resistance:	< 20 mΩ
Insulation resistance:	> 1000 MΩ at 500 V DC
Dielectric strength:	1500 V, 50 Hz for the duration of 1 minute
Operating temperature:	- 45 °C to +140 °C
Mechanical life:	minimum 30 000 operations
Contacts:	coin silver (common contact copper alloy, silver-plated) also available gold-plated, version B and G, see page 4
Terminals:	solder tags, copper alloy silver-plated further terminal versions see page 8
Material:	case: diallyl-phthalate meets UL 94 V-0, black metal parts: nickel-plated
Mounting:	bushing 15/32-32 THD (M 12 x 0.75), key 14 mm
Soldering conditions:	hand-soldering – max.: 60 W, 3 sec, 420 °C wave-soldering – max.: 5 sec, 270 °C

## Accessories:

Plastic caps (height 3.5 mm)	Ø	
black	9 mm	CB 505
red	9 mm	CB 509



## Waterproof sealing caps (height 14.8 mm)

grey	ET 207
red	ET 209

also available in fluoro silicone material





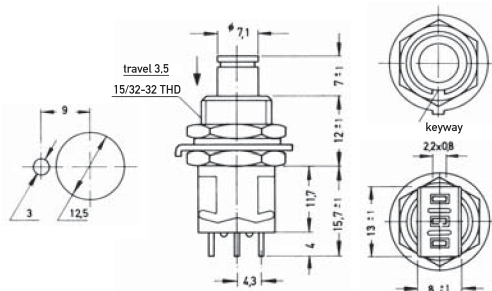
# Miniature Pushbutton Switches heavy duty series

**Models:** Switching functions

**S P D T**

MPG 106 F  
MPG 106 D

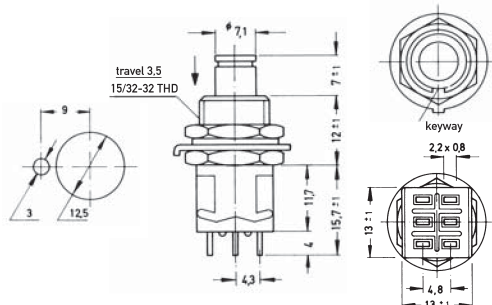
\* on – mom  
on – on



**D P D T**

MPG 206 R  
MPG 206 N

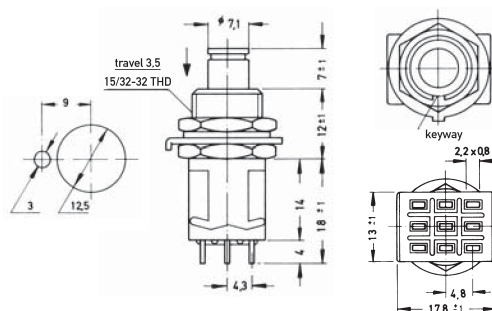
\* on – mom  
on – on



**3 P D T**

MPG 306 F  
MPG 306 D

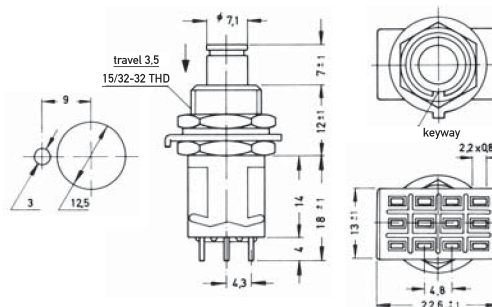
\* on – mom  
on – on



**4 P D T**

MPG 406 R  
MPG 406 N

\* on – mom  
on – on



\* When looking at the brand name the normally closed contact is on the right-hand side.

## X-ON Electronics

Largest Supplier of Electrical and Electronic Components

*Click to view similar products for [Switch Accessories](#) category:*

*Click to view products by [Knitter-Switch](#) manufacturer:*

Other Similar products are found below :

[896809000](#) [01500](#) [01010](#) [01501](#) [7101MD9V30B](#) [7103KZBE](#) [7103P3YAVGE](#) [7209MD9ABE](#) [7209SY9AQE](#) [7209SYCBE](#) [7303KZQE](#)  
[F1302](#) [F1403](#) [760201000](#) [764300000](#) [785105000](#) [785106000](#) [789009000](#) [7T0062](#) [7T0073](#) [MJ1216](#) [MJ33](#) [MJ612](#) [849PT01A](#)  
[91321314655637182-1-MEV](#) [A0107X](#) [A0141A](#) [A0141E](#) [A0142M2SP](#) [A0142N5](#) [A0143G](#) [A0143H](#) [A0161G](#) [A0162A](#) [A0162F](#) [A019307](#)  
[A01RTC8](#) [A0214X](#) [A0215X](#) [A02504](#) [A02512](#) [A0261A](#) [A0263D](#) [A029303](#) [A02MXB](#) [A168P1](#) [A274](#) [A3A-7310](#) [A3PA571124E](#) [A466](#)