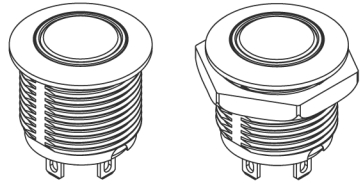
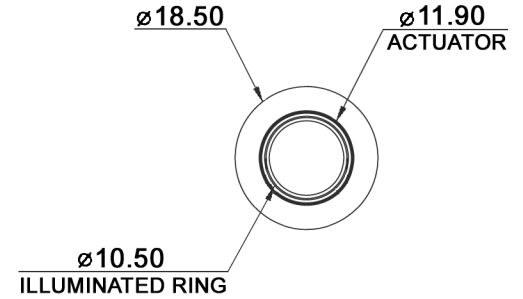
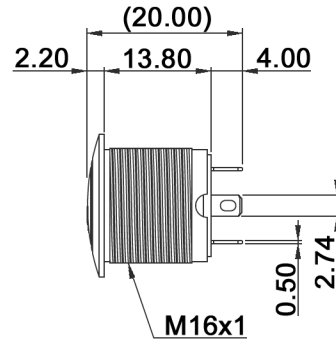
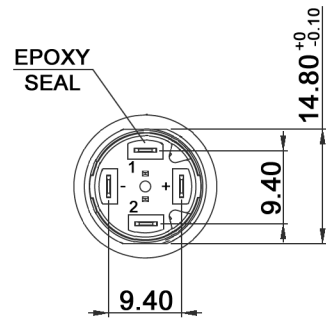


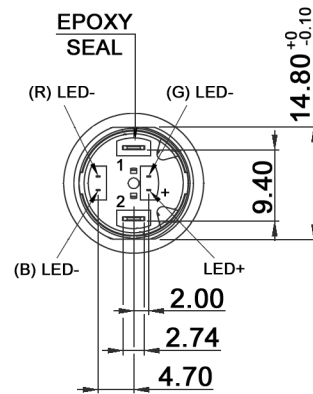
**ASSEMBLED VIEW**



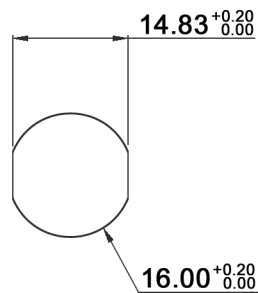
**All models excepted RGB**



**RGB models**

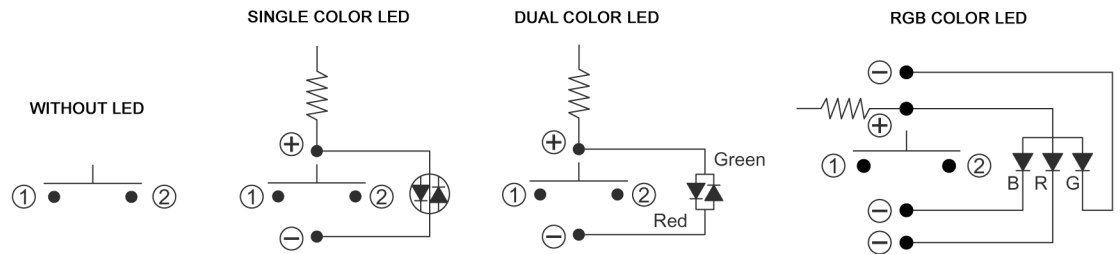


**PANEL CUT-OUT**



THICKNESS 8.0mm max.

**CIRCUIT DIAGRAM**



**Compliance: RohS II (2011/65/EU)**

Tolerances: 0.00: ±0.25mm 0.0: ±0.40mm			Date	Name	<h1>MAV16CxRE-y-JR-zV</h1>
			09/15	dr	
RGB	09/17	dr			
LED limitation	06/17	dr			
Revised	11/16	dr	<b>knitter-switch</b>		<h2>30 34 19</h2>
Base color	07/16	dr			
Modifications	Date	Name			Page 1/2

**Specifications:**

**Contact rating:** 2A, 36V DC  
**Contact resistance:** 50mOhm max.  
**Insulation resistance:** 1000MOhm min. at 500V DC  
**Dielectric strength:** 2000V AC (50/60Hz) for 1 minute  
**Operating temperature:** -20°C to +70°C  
**Mechanical life:** 1 000 000 cycles  
**Electrical life:** 200 000 make-and-break cycles at full load  
**Operating force:** 4.5 +/-1.5N  
**Torque:** 11.5kgf.cm  
**Soldering conditions:** iron soldering: 290°C, 3sec., 60W  
**Full travel:** 2.0 +/-0.20mm  
**IP rating:** IP67  
**Material:** Base: PBT (UL-94V0), white  
 Actuator: PC (UL94V2), translucent  
 Spring: steel  
 Sealing / O-ring: silicone, translucent  
 Nut: brass, nickel plated  
 Terminal: brass, gold plated  
 Contact: silver alloy  
 Bushing: aluminum alloy

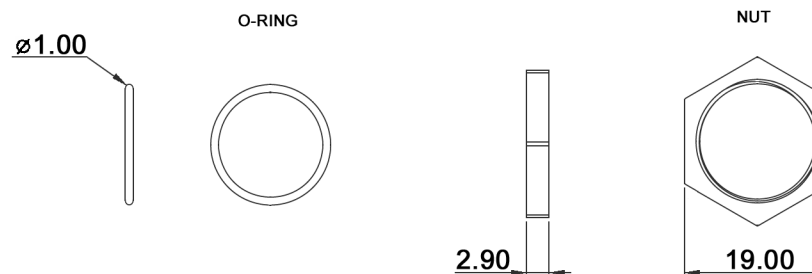
**LED data:**

**I<sub>F</sub>:** 20mA max.  
**U<sub>F</sub>:** white, 3.7V max.  
 red, 2.5V max.  
 yellow, 2.5V max.  
 blue, 3.7V max.  
 green, 3.7V max.

x	Bushing and button material
A	aluminum alloy (natural anodized)
B	aluminum alloy (black anodized)
y	LED color
0	without LED
1	white
3	red
5	yellow
6	green
7	blue
A	red/green
RGB	red/green/blue
z	LED voltage
0	without resistor
3	3V DC, 20mA (red and yellow LED only)
6	6V DC, 20mA
12	12V DC, 20mA
24	24V DC, 20mA

(RGB only with option "0")

**HARDWARE:**



Compliance: RohS II (2011/65/EU)

Tolerances: 0.00: ±0.25mm 0.0: ±0.40mm		Date	Name	<h1>MAV16CxRE-y-JR-zV</h1>
		09/15	dr	
			<b>knitter-switch</b>	<b>30 34 19</b>
Modifications			Date	Name
				Page 2/2

## X-ON Electronics

Largest Supplier of Electrical and Electronic Components

*Click to view similar products for [Pushbutton Switches](#) category:*

*Click to view products by [Knitter-Switch](#) manufacturer:*

Other Similar products are found below :

[8940K2012](#) [8971K1133](#) [LW1L-M1C10V-A](#) [LW1L-M1C70-A](#) [LW2L-A1C20M-GD](#) [LW2L-M1C20M-A](#) [60324L](#) [M22-D-R-GB0/K11](#) [M7E-HRN2](#) [67021K512](#) [67081K512X](#) [701PB580](#) [7199K101](#) [810K12910](#) [810KSV30B](#) [MML21EA2ADK](#) [MML21KA3ABK](#)  
[MML23KA3AC05K-001](#) [MML23KW3AA01W](#) [8418K2](#) [8442K3](#) [8450K1](#) [860K11911T01A](#) [861901](#) [861K11911T01A07](#)  
[861K13810T00A14](#) [861K13911](#) [8646AB6X718UL](#) [8646ABUL](#) [9001KXRK](#) [907AYY100](#) [PMHD155A1](#) [9533CD4+U574+U4922](#) [95-414.000](#) [99-450.837](#) [99-453.837](#) [PV3H2B0NN-341](#) [1203MRA](#) [A22NZBGANGA](#) [A22NZBNANGA](#) [A22NZMPATRA](#) [A2PMA1X03EC56](#)  
[A3A-5123-02](#) [A3A-7140](#) [A3A-7310](#) [A3A-7340](#) [A3U-TMW-A2C-5M](#) [A595](#) [12037A2ULCSA](#) [ABD122N-B](#)