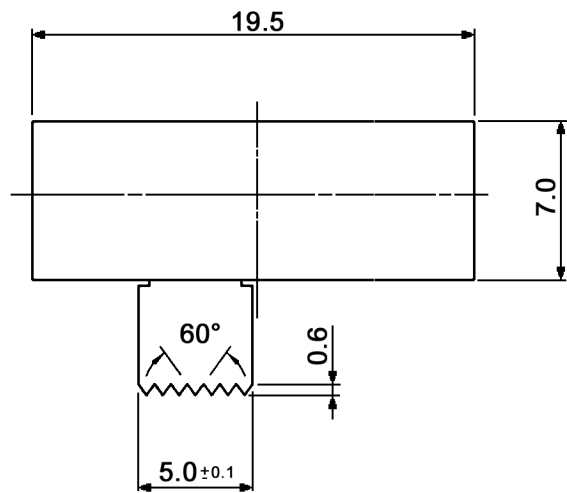
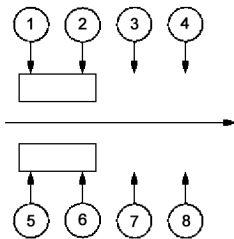


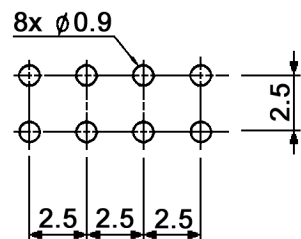
CIRCUIT DIAGRAM
C: COMMON PIN



Specifications:

- Contact rating: 0.3A, 30V; 2A, 5V
- Contact resistance: 20mOhm max.
- Insulation resistance: 100MOhm min. at 500V DC for 1 minute
- Dielectric strength: 500V AC for 1 minute (50 / 60Hz, 2mA)
- Operating temperature: -20°C to +85°C
- Storage temperature: -40°C to +85°C
- Mechanical life: 10 000 cycles
- Operating force: a-b c-b: 200 +/-100gf
b-a b-c: 300 +/-150gf
- Soldering conditions: manual soldering: max. 360°C, max. 4sec.
- Material: Terminal: brass strip, silver plated
Frame: SPCC, zinc plated
Base: phenolic resin, natural
Contact clip: C5210, silver plated
Steel ball: carbon steel, natural
Spring: SWC, temper
Slider: PBT, black

HOLE LAYOUT ϕ 0.05
TOP VIEW



Compliance: RohS III (2015/863/EU)

Tolerances: up to 10: ±0.2mm above 10-50: ±0.3mm	Date	Name
	12/16	dr
Storage temperature	11/19	dr
Modifications	Date	Name

MFP 2320 R

knitter-switch

30 37 36

Page

1/1

X-ON Electronics

Largest Supplier of Electrical and Electronic Components

Click to view similar products for [Slide Switches](#) category:

Click to view products by [Knitter-Switch](#) manufacturer:

Other Similar products are found below :

[6-1437581-1](#) [M43R](#) [MHS123K15D](#) [MHS133K](#) [MHSS1104A](#) [MMD](#) [GH49S010001](#) [MSS12A](#) [EPS1PC1](#) [1825160-3](#) [1825167-2](#) [K232CB](#)
[25139NLDB](#) [25449NAH](#) [SLB1240R45](#) [1825078-1](#) [1825080-4](#) [1825269-1](#) [1825270-2](#) [STS141RA04](#) [T2215BEN506](#) [GH46P000001](#)
[GH46W000001](#) [GH49P010001](#) [25339NA](#) [M42A](#) [TG36P000000](#) [TG36P000050](#) [AYZ0202AG](#) [47227LFE](#) [49331L](#) [50208L](#) [L203091MS02Q](#)
[4-1437581-7](#) [X2225CR-437W](#) [49329L](#) [1101M1S3ZB8E2](#) [1-1437581-1](#) [MSS2225G04](#) [TG39W000000](#) [1825075-1](#) [MSS42G](#) [TG36WS80065](#)
[T105S1CWZBE](#) [SLB124145](#) [SLB1280R5](#) [SLB1340R45](#) [25136NLDB](#) [TG39W000050](#) [4021.4621](#)