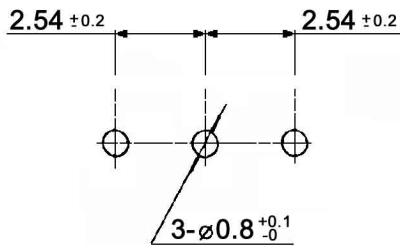
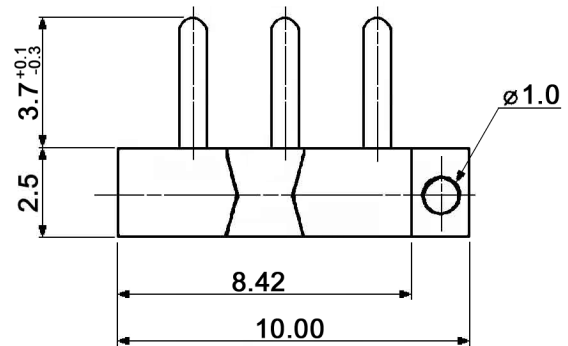
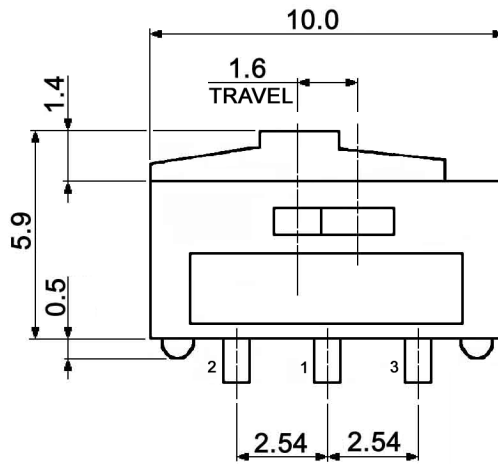
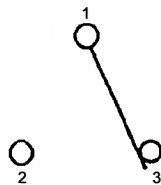


P.C. LAYOUT



SWITCH POSITION



Specifications:

Contact rating: 0.5A, 12V DC; 0.3A, 24V (AC/DC)
min. current: 1mA/10mV AC/DC

Contact resistance: 30mOhm max.

Insulation resistance: 10MOhm min. at 500V DC

Dielectric strength: 500V AC for 1 minute

Operating temperature: -40°C to +85°C

Storage temperature: -40°C to +85°C

Mechanical life: 10 000 cycles

Electrical life: 1000 cycles

Operating force: 800gf max.

Soldering conditions: 270°C, 5sec.

Humidity test: Test conditions: measured 1hour after exposure to ambient,
after 96hours exposure at 40 +/-2°C, 90-95%R.H

Saline spray test: 24hours

Material: Case / slide: glass fiber reinforce polyamide (UL94V-0), black case
Terminal and all contact parts: 0.05µm gold plated over 0.2µm nickel

Compliance: RohS II (2011/65/EU)

x	Slider color
(empty)	red
K	black
Y	yellow
IVO	ivory

Minimum order for "K", "Y" and "IVO" is 10K pcs per color

Tolerances:			Date	Name
Slider color	09/16	dr	03/07	dr
Delivery position	07/16	dr		
Specifications	04/14	dr		
Contact rating	04/13	dr		
Material	09/12	dr		
Mechanical life	07/07	dr		
Modifications	Date	Name		

MMP 1010 Dx-RA-1

knitter-switch

30 10 80

Page

1/1

X-ON Electronics

Largest Supplier of Electrical and Electronic Components

Click to view similar products for [Slide Potentiometers](#) category:

Click to view products by [Knitter-Switch](#) manufacturer:

Other Similar products are found below :

[M22](#) [MHS133K](#) [MSS12A](#) [MSSA22](#) [M42A](#) [MSS42G](#) [SS-4928](#) [RSA0K11A901L](#) [SLB124145](#) [SLB1340R45](#) [RA6020F-10-20D1-B50K](#)
[RA4520F-10-20D1-B50K](#) [TSS11AGPC](#) [X22205CAAF](#) [448XC2103BDN](#) [X22205A-437W](#) [T22205BAAE](#) [SS-22J08-G5](#) [X22205AAAL](#)
[K22208EAAG](#) [PS15-10PC1BR10K](#) [1101M1S3ZQI2](#) [1201M1S1ZBE2](#) [1101M2S4AGE2](#) [1101M2S6ABE2](#) [1201M1S3ZBE2](#) [EVA-](#)
[JQKR15Y14](#) [EVA-NADR15A14](#) [EVA-NADR15D14](#) [EVA-NE4R15A14](#) [EVB-NADR15Y14](#) [ASE1D](#) [ASE1E](#) [ASE2D](#) [MFP113D](#) [MFP130](#)
[MFP1323](#) [MFP1424](#) [MFP161D](#) [MFP2220R](#) [MFP231P](#) [MFP261N](#) [MMP1010DRA1](#) [MMP131](#) [L202021MS02Q](#) [MFP120](#) [MFP 130 R](#)
[MFP1323R](#) [MFP140](#) [MFP140-R](#)