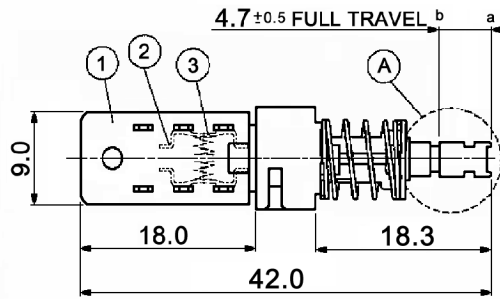
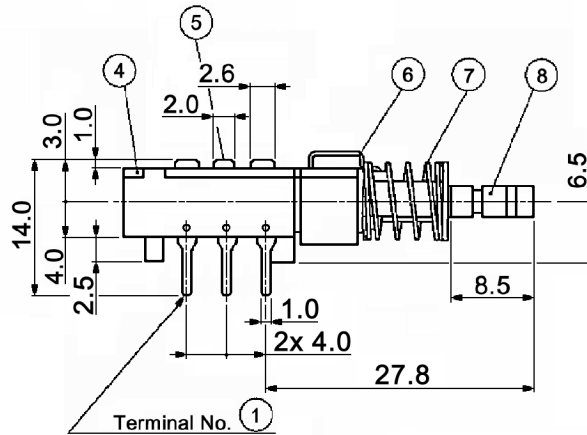
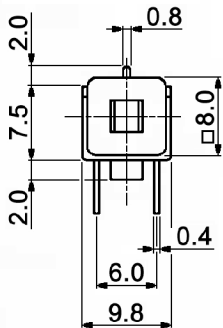
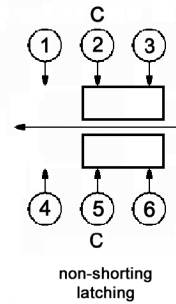


BOTTOM VIEW

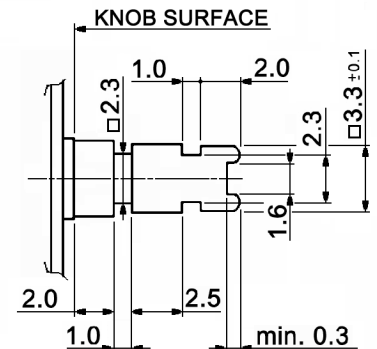


CIRCUIT DIAGRAM

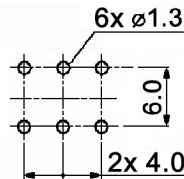
C: COMMON PIN
BOTTOM VIEW



DETAIL A
3:1



HOLE LAYOUT ± 0.05



Specifications:

- Contact rating: 1A, 25V DC; 0.5A, 100V AC
- Contact resistance: 10mOhm max.
- Insulation resistance: 100MOhm min. at 500V DC for 1 minute
- Dielectric strength: 500V AC for 1 minute (50/60Hz, 2mA)
- Operating temperature: -10°C to +60°C
- Mechanical life: 30 000 cycles
- Operating force: 300gf +/-100gf
- Soldering conditions: 260 +/-5°C, 5 +/-1sec.
- Material:
 - 1 - Case: PA66, brown
 - 2 - Contact plate: C5210R-EH, 2µm silver plated over 2µm nickel
 - 3 - Spring: stainless steel, temper
 - 4 - Base: phenolic resin, natural
 - 5 - Terminal: brass strip, 0.5µm silver plated over 2µm nickel
 - 6 - Spring wire: SWC, 0.5µm silver plated over 2µm nickel
 - 7 - Spring: SWC, temper
 - 8 - Slider: POM, white

Compliance: RohS II (2011/65/EU)

Tolerances: up to 10: ±0.2mm above 10-50: ±0.3mm	Date	Name
	11/10	dr
Case color	04/18	dr
Timing	07/14	dr
Material details	02/11	dr
Modifications	Date	Name

MPBS22H01L-F14

knitter-switch

30 22 36

Page

1/1

X-ON Electronics

Largest Supplier of Electrical and Electronic Components

Click to view similar products for [Pushbutton Switches](#) category:

Click to view products by [Knitter-Switch](#) manufacturer:

Other Similar products are found below :

[8940K2012](#) [8971K1133](#) [LW1L-M1C10V-A](#) [LW1L-M1C70-A](#) [LW2L-A1C20M-GD](#) [LW2L-M1C20M-A](#) [60324L](#) [M22-D-R-GB0/K11](#) [M7E-HRN2](#) [67021K512](#) [67081K512X](#) [701PB580](#) [7199K101](#) [810K12910](#) [810KSV30B](#) [MML21EA2ADK](#) [MML21KA3ABK](#)
[MML23KA3AC05K-001](#) [MML23KW3AA01W](#) [8418K2](#) [8442K3](#) [8450K1](#) [860K11911T01A](#) [861901](#) [861K11911T01A07](#)
[861K13810T00A14](#) [861K13911](#) [8646AB6X718UL](#) [8646ABUL](#) [9001KXRK](#) [907AYY100](#) [PMHD155A1](#) [9533CD4+U574+U4922](#) [95-414.000](#) [99-450.837](#) [99-453.837](#) [PV3H2B0NN-341](#) [1203MRA](#) [A22NZBGANGA](#) [A22NZBNANGA](#) [A22NZMPATRA](#) [A2PMA1X03EC56](#)
[A3A-5123-02](#) [A3A-7140](#) [A3A-7310](#) [A3A-7340](#) [A3U-TMW-A2C-5M](#) [A595](#) [12037A2ULCSA](#) [ABD122N-B](#)