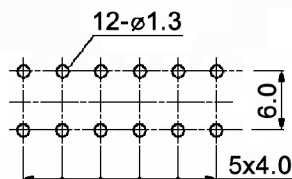
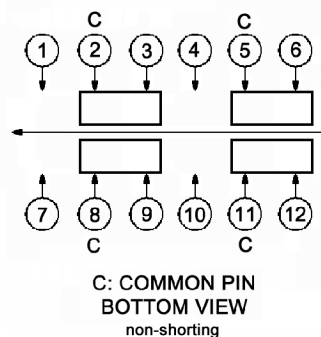


HOLE LAYOUT  $\pm 0.05$



CIRCUIT DIAGRAM



Specifications:

- Contact rating: 1A, 25V DC; 0.5A, 100V AC
- Contact resistance: 10mOhm max.
- Insulation resistance: 100MOhm min. at 500V DC for 1 minute
- Dielectric strength: 500V AC for 1 minute (50/60Hz, 2mA)
- Operating temperature: -10°C to +60°C
- Mechanical life: 30 000 cycles
- Operating force: 300gf +/-100gf
- Soldering heat resistance: solder bath method: 260 +/-5°C, 5 +/-1sec.
- Material:
  - 1 - Case: ABS, brown
  - 2 - Contact plate: C5210R-EH, silver plated
  - 3 - Spring: SUS, temper
  - 4 - Base: phenolic resin, natural
  - 5,6 - Terminal: brass strip, silver plated
  - 7 - Spring wire: SWC, nickel plated
  - 8 - Spring: SWC, zinc plated
  - 9 - Slider: POM, white

x	Switch function
(empty)	on - mom
L	on - on

Compliance: RohS III (2015/863/EU)

Tolerances: up to 10: ±0.2mm above 10-50: ±0.3mm	Date	Name
	06/07	dr
Switch function	09/21	dr
Material base	05/19	dr
Non-shorting	03/17	dr
Dimensions	01/11	dr
Modifications	Date	Name

**MPBS-42H01x-F14**

**knitter-switch**

**30 11 45**

Page  
1/1

## X-ON Electronics

Largest Supplier of Electrical and Electronic Components

*Click to view similar products for [Pushbutton Switches](#) category:*

*Click to view products by [Knitter-Switch](#) manufacturer:*

Other Similar products are found below :

[8940K2012](#) [8971K1133](#) [LW1L-M1C10V-A](#) [LW1L-M1C70-A](#) [LW2L-A1C20M-GD](#) [LW2L-M1C20M-A](#) [60324L](#) [M22-D-R-GB0/K11](#) [M7E-HRN2](#) [67021K512](#) [67081K512X](#) [701PB580](#) [7199K101](#) [810K12910](#) [810KSV30B](#) [MML21EA2ADK](#) [MML21KA3ABK](#)  
[MML23KA3AC05K-001](#) [MML23KW3AA01W](#) [8418K2](#) [8442K3](#) [8450K1](#) [860K11911T01A](#) [861901](#) [861K11911T01A07](#)  
[861K13810T00A14](#) [861K13911](#) [8646AB6X718UL](#) [8646ABUL](#) [9001KXRK](#) [907AYY100](#) [PMHD155A1](#) [9533CD4+U574+U4922](#) [95-414.000](#) [99-450.837](#) [99-453.837](#) [PV3H2B0NN-341](#) [1203MRA](#) [A22NZBGANGA](#) [A22NZBNANGA](#) [A22NZMPATRA](#) [A2PMA1X03EC56](#)  
[A3A-5123-02](#) [A3A-7140](#) [A3A-7310](#) [A3A-7340](#) [A3U-TMW-A2C-5M](#) [A595](#) [12037A2ULCSA](#) [ABD122N-B](#)