

Key Switches



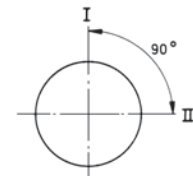
Specifications:

Contact rating:	max. 20 V DC, 0,4 W
Contact resistance:	< 200 mΩ
Insulation resistance:	> 100 MΩ at 100 V DC
Dielectric strength:	250 V, 50 Hz for the duration of 1 minute
Operating temperature:	-25 °C to +70 °C
Mechanical life:	minimum 10 000 operations
Contacts:	gold-plated
Terminals:	PC terminals, brass, silver-plated
Material:	case: PBT, black key: brass, nickel-plated; grip: plastic
Mounting:	on pc-board
Soldering conditions:	auto-soldering – max.: 3 sec, 245 °C ±10 °C

Models:	Switching functions	Key positions		
		I	II	III
SPDT				
		O = Key removable X = Key not removable		

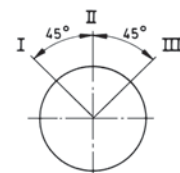
Step angle 90°

MRK 1012 A	on	-	on	O	O
MRK 1012 B	on	-	on	O	X
MRK 1022 B	on	-	mom	O	X
MRK 1012 A - R	on	-	on	O	O
MRK 1012 B - R	on	-	on	O	X
MRK 1022 B - R	on	-	mom	O	X



Step angle 45°

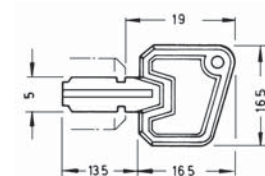
MRK 1031 D	on	on	on	O	O	O
MRK 1031 L	on	on	on	X	O	X
MRK 1041 L	mom	on	mom	X	O	X
MRK 1031 D - R	on	on	on	O	O	O
MRK 1031 L - R	on	on	on	X	O	X
MRK 1041 L - R	mom	on	mom	X	O	X



13

2-pole switches and further key positions on request.

Switches are always supplied with 2 keys.



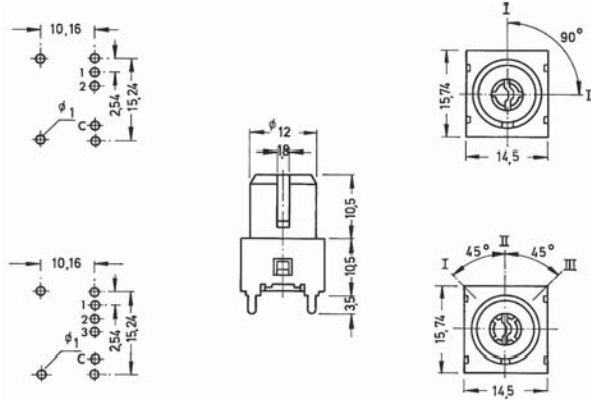


Models:

SPDT

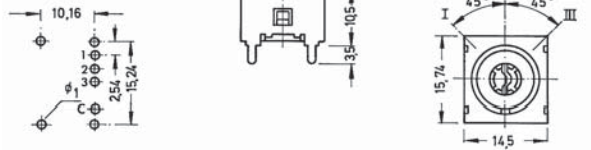
Step angle 90°

- MRK 1012 A
- MRK 1012 B
- MRK 1022 B



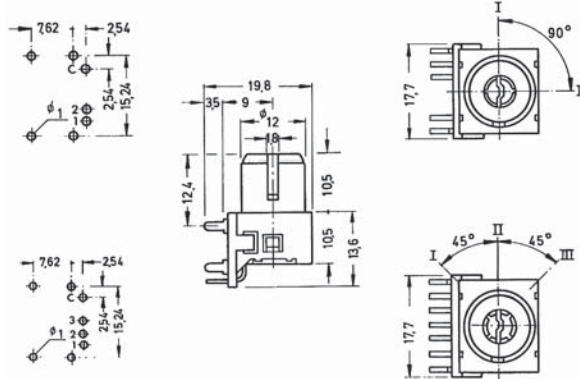
Step angle 45°

- MRK 1031 D
- MRK 1031 L
- MRK 1041 L



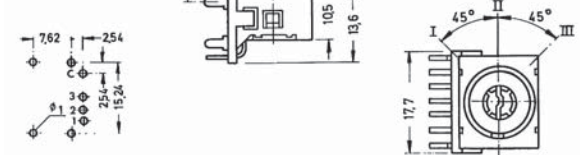
Step angle 90°

- MRK 1012 A - R
- MRK 1012 B - R
- MRK 1022 B - R



Step angle 45°

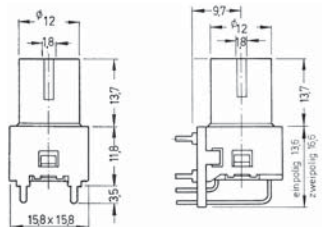
- MRK 1031 D - R
- MRK 1031 L - R
- MRK 1041 L - R



Special versions:*

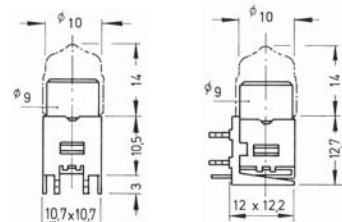
Key switch with security casing:

Type:
MRKC



Key switch with plastic case and plastic key

Type:
MRKS



*Minimum quantity and delivery time on request

X-ON Electronics

Largest Supplier of Electrical and Electronic Components

Click to view similar products for [Keylock Switches](#) category:

Click to view products by [Knitter-Switch](#) manufacturer:

Other Similar products are found below :

[89496-09](#) [89638-00](#) [58J9A90-01C02N](#) [719-0022-020](#) [719-0122-000](#) [719-0201-000](#) [719-0202-000](#) [719-0702-000](#) [84800-04](#) [88521-00](#)
[GKNC33L](#) [GKNC3L](#) [PVA2OAH5](#) [14-136.025K](#) [14-235.022K](#) [AS6H-2K2A](#) [AS6M-2K1B](#) [1571487-1](#) [HW4K-2BF20](#) [JD7510H](#)
[K6SLYE1.55NL327SD](#) [KH3C-20C](#) [89638-05](#) [A028301](#) [A165K-J2AL-2](#) [A165K-J2M-2](#) [A165K-J3AMR](#) [A165K-J3M](#) [205389 \(PAYGUARD](#)
[BUTTON PAD\)](#) [2SWK131AL102](#) [30PA39-AML](#) [LW6MJ-2C64WWB](#) [AS6M-2K1A](#) [51-401.036D](#) [51-401.036K](#) [51-414.036D](#) [HW1K-](#)
[3HF20](#) [4370039](#) [Y1112-2027CLFT](#) [4B01H322NCFQ](#) [51-155.025D](#) [51-195.025D](#) [51-378.AD](#) [51-404.036D](#) [51-405.036D](#) [51-415.036D](#) [1-](#)
[1437597-8](#) [86945-05](#) [88169-05](#) [719-0204-000](#)