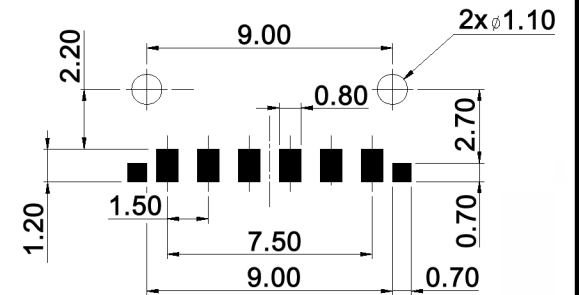


P.C.B. LAYOUT

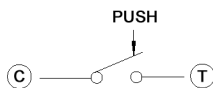


CIRCUIT DIAGRAM

ANGLE TERMINAL NO.	A			B		
	20° (16°)	(8°)	(8°)	(16°)	(8°)	20°
①	█					
②	█					
③						█
④				█	█	█
C	█					

* E: GROUND TERMINAL
* █: ON POSITION

PUSH CIRCUIT



Tolerances: ±0.20mm			Date	Name	<h1>PLSJ 1 x</h1>
			03/09	dr	
			knitter-switch		<h1>30 02 34</h1>
Colours	03/09	dr			Page
Modifications	Date	Name			1/3

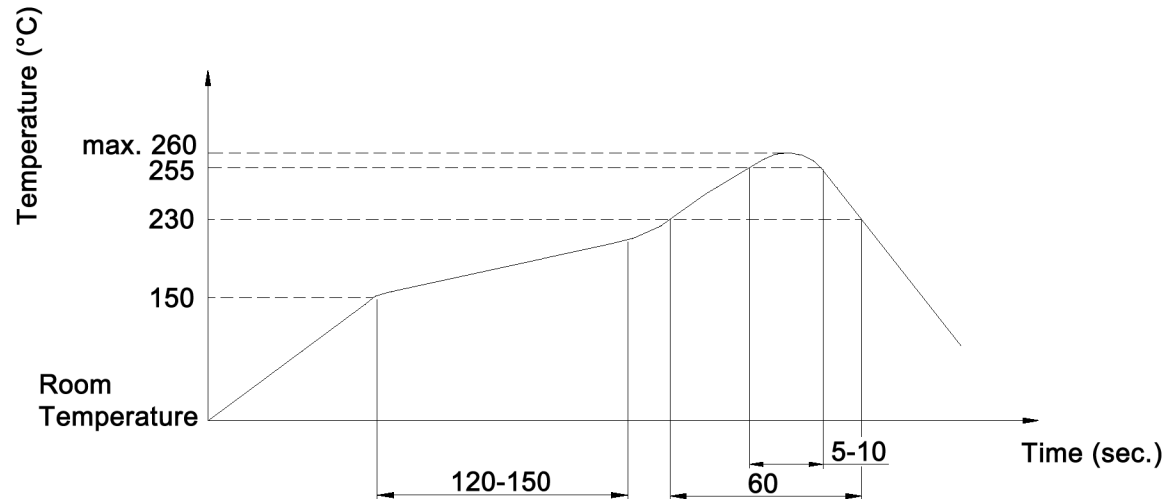
Specifications:

Contact rating: switching: 10mA, 5V DC
 non-switching: 100mA, 50V DC
Contact resistance: 100mOhm max.
Insulation resistance: 100MOhm min. at 100V DC
Dielectric strength: 100V AC for 1 minute
Operating temperature: -10°C to +70°C
Storage temperature: -25°C to +80°C
Mechanical / electrical life: 100 000 cycles
Operating force: 40 +/-20gf on return actuator
 150 +/-50gf on center push direction
Capacitance: 5pF max.
Circuit: single pole single throw

Material:

Cover: stainless steel
Base: UL94V-0 PPS thermoplastic, color: brown
Stem: UL94HB nylon thermoplastic, color: grey, (black optional)
Contact disc: phosphor bronze with silver cladding at contact surface
Terminal: phosphor bronze with silver cladding at contact surface
Spring: spring wire

Soldering conditions:

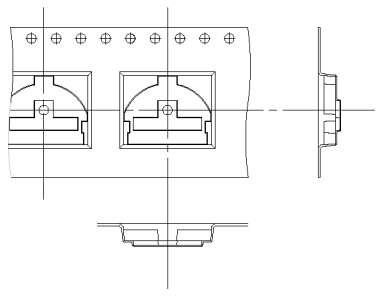
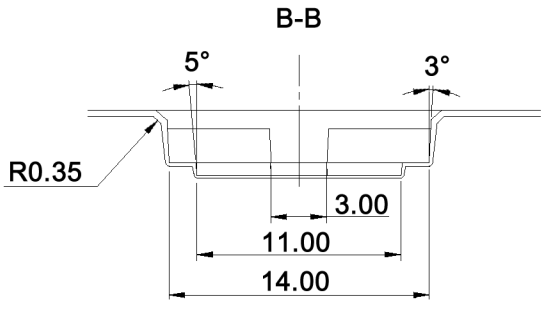
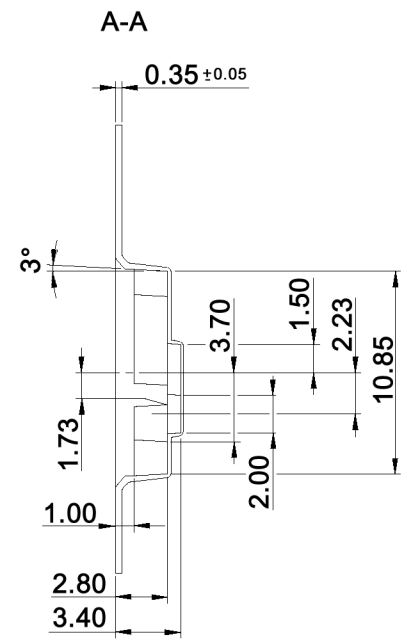
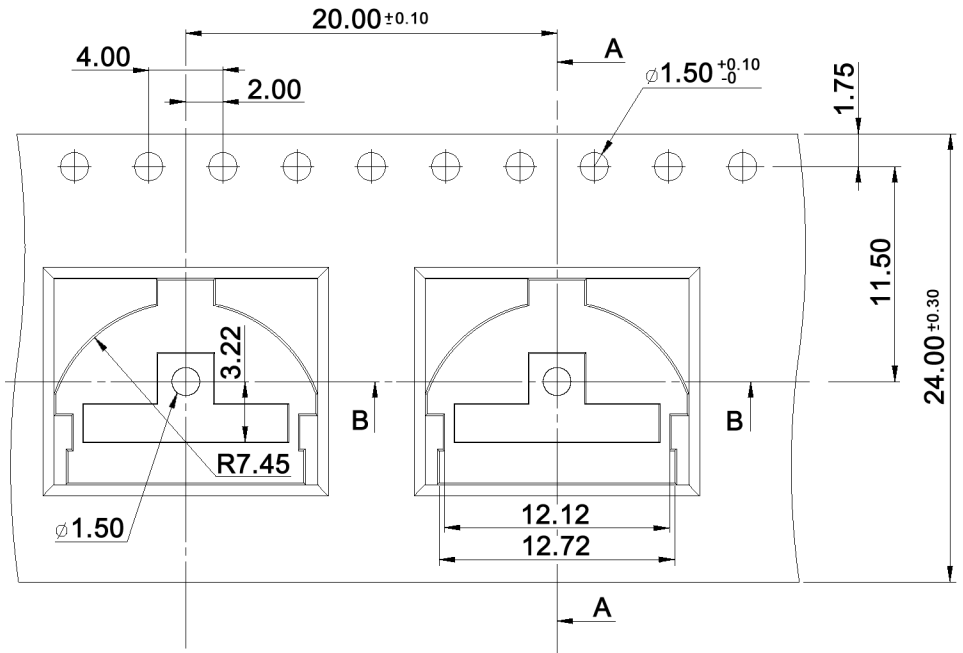


x	Color
(empty)	grey
K	black



Tolerances: ±0.20mm		Date	Name	PLSJ 1 x
		03/09	dr	
				30 02 34
			knitter-switch	
Modifications	Date	Name		Page 2/3

Packaging:



Packaging unit: 1 000 pcs. / reel



Tolerances: ±0.10mm			Date	Name	PLSJ 1 x
			03/09	dr	
					30 02 34
knitter-switch					Page
Modifications		Date	Name		3/3

X-ON Electronics

Largest Supplier of Electrical and Electronic Components

Click to view similar products for [Switch Bezels / Switch Caps](#) category:

Click to view products by [Knitter-Switch](#) manufacturer:

Other Similar products are found below :

[896809000](#) [LW1A-B2-R](#) [LW2A-B1-G](#) [704.604.4](#) [704.955.3](#) [F1403](#) [7527](#) [760203000](#) [760503000](#) [766601000](#) [785105000](#) [785106000](#)
[79211759](#) [MH11](#) [MH13](#) [MHU31](#) [MJ1216](#) [MJ1226](#) [MJ33](#) [MJ612](#) [MJ626](#) [MJ627](#) [9001T8BK](#) [908-1634](#) [92-343.200](#) [92-343.400](#) [95804.920](#)
[95CAP-011](#) [95CAP-112](#) [11-932.7](#) [99-901.9](#) [99-909.4](#) [99-909.5](#) [99-920.8](#) [A0261A](#) [11-931.2](#) [11-932.5](#) [11-936](#) [11-937](#) [AKTSC22B](#) [AT496H](#)
[AW-RF8](#) [161006](#) [1825068-6](#) [184-1872](#) [187-1872](#) [188-1471](#) [18-920.1](#) [C1103](#) [1DFBLK](#)