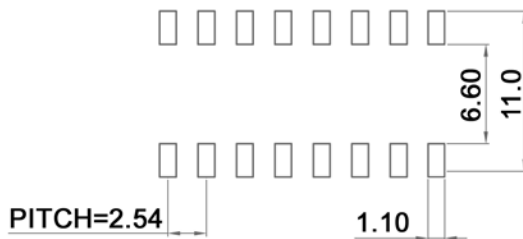


P.C. LAYOUT



Part No.	A ±0.2
SBP 9102 T	6.08
SBP 9103 T	8.62
SBP 9104 T	11.16
SBP 9105 T	13.70
SBP 9106 T	16.24
SBP 9107 T	18.78
SBP 9108 T	21.32
SBP 9110 T	26.40
SBP 9112 T	31.48

Specifications:

Contact rating: 25mA, 24V DC  
 Contact resistance: 50mOhm  
 Insulation resistance: 1 000MOhm at 100V DC  
 Dielectric strength: 500V DC for 1 minute  
 Operating force: 1 000g max.  
 Mechanical life: 3 000 cycles  
 Electrical life: 2 000 cycles  
 Operating temperature: -40°C to +85°C

RoHS compliant

Material:

Cover / base: high temperature UL94V-0 thermoplastic, black  
 Actuator: high temperature UL94V-0 thermoplastic, white  
 Movable contact: copper alloy, gold plated  
 Terminal: copper alloy, tin plated

Maßstab	Datum	Name
Oberfläche	08/05	dr
Marking	09/07	dr
Mechan. charac.	03/07	dr
Temperature	10/06	dr
Part No.	08/06	dr
Taping spec.	01/06	dr
Soldering profile	11/05	dr
Zust	Änderung	Datum
		Name

**SBP 9100 T**

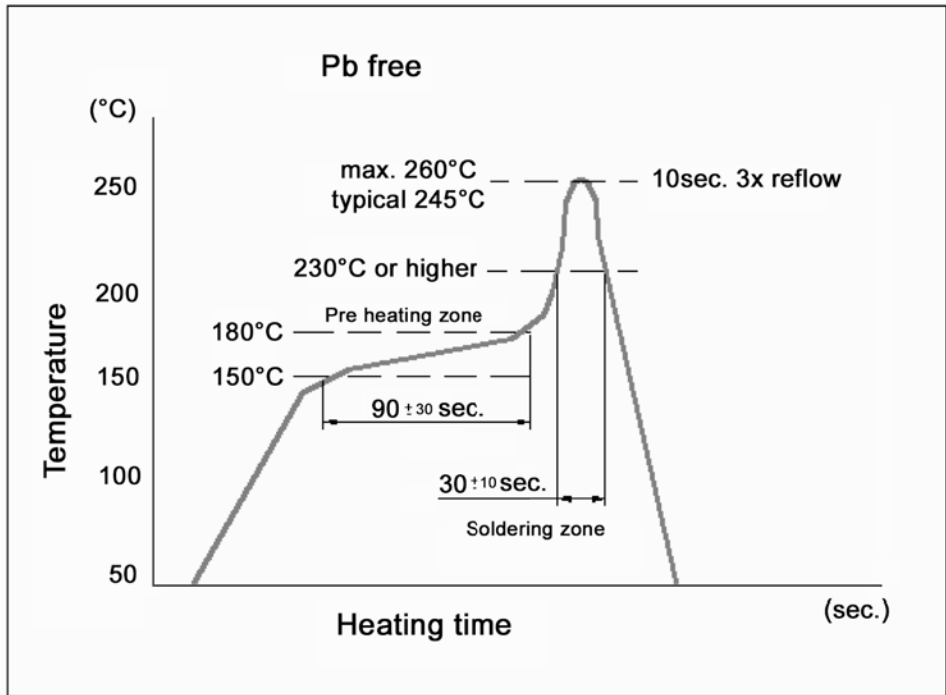
**30 06 70**

Blatt

1/3

**knitter-switch**

**Soldering conditions:**

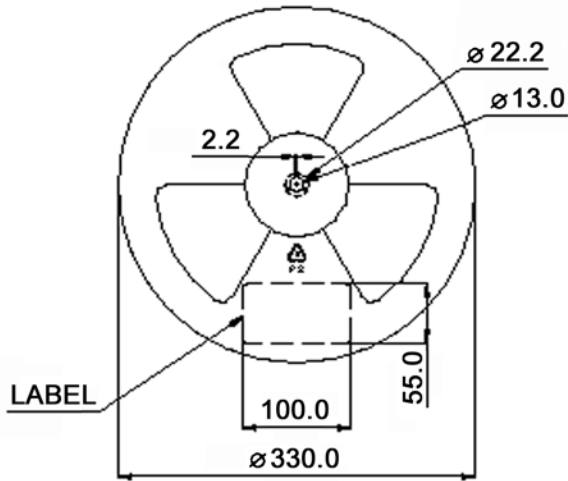


**Mechanical and environmental characteristic:**

- |                                 |   |
|---------------------------------|---|
| 1. Mechanical life              | 5 000 cycles for per switch position  |
| 2. Operating force              | 1 000g max.   |
| 3. Vibration                    | 1) frequency: 10-55Hz 1 minute / cycle<br>2) direction: 3 vertical directions ( including the direction of operation)<br>3) test time: 2 hours each direction |
| 4. Shock                        | 1) peak value: 50G<br>2) duration: 11 +/-1msec.<br>3) testing direction: 6 sides<br>4) test cycle: 3 times / each direction<br>5) waveform: half-sine         |
| 5. Humidity-temperature cycling | 1) temperature: 40°C +/-2°C<br>2) time: 48 hours<br>3) relative humidity: 90-95%RH<br>4) contact resistance: 100mOhm max.                                     |

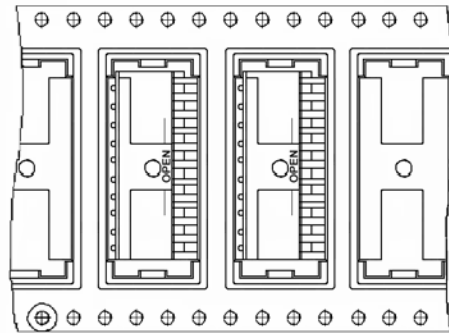
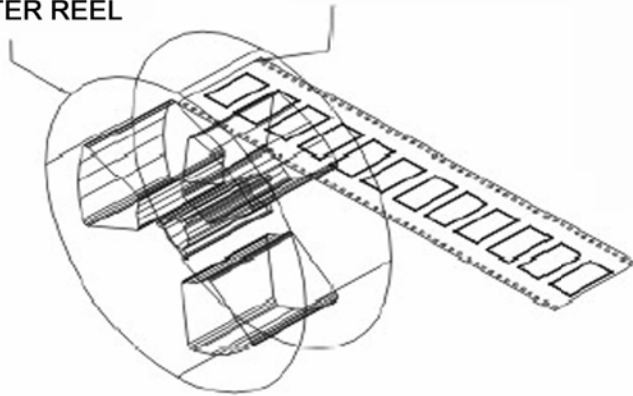
Maßstab		Datum		Name		<b>SBP 9100 T</b>		
Oberfläche		08/05		dr				
						<b>30 06 70</b>		
								Blatt
								2/3
Zust	Änderung	Datum	Name	<b>knitter-switch</b>				

# Taping specification:



13 INCH  
DIAMETER REEL

CONDUCTIVE  
PLASTIC EMBOSSED  
TAPE



Part No.	Pcs. per reel	Carrier pitch	Carrier width
SBP 9102 T	700	12	24
SBP 9103 T	500	16	24
SBP 9104 T	500	16	24
SBP 9105 T	500	16	24
SBP 9106 T	500	16	24
SBP 9107 T	500	16	24
SBP 9108 T	500	16	44
SBP 9110 T	500	16	44
SBP 9112 T	500	16	44

Maßstab	Datum	Name	
Oberfläche	08/05	dr	
Zust	Änderung	Datum	Name

## SBP 9100 T

### 30 06 70

Blatt

3/3

**knitter-switch**

## X-ON Electronics

Largest Supplier of Electrical and Electronic Components

*Click to view similar products for [DIP Switches/SIP Switches](#) category:*

*Click to view products by [Knitter-Switch](#) manufacturer:*

Other Similar products are found below :

[78M03S](#) [79B10T](#) [8136-475G4T](#) [G7G-1A2-CB-DC12](#) [A7SS-M](#) [DBP 2110](#) [DBP 2112](#) [DBS1008](#) [DHN02FTVTR](#) [DHN10T](#) [DHS108](#)  
[DPL08TN](#) [DRD16CSE04](#) [DRR4010](#) [DRR60016](#) [DRS4016](#) [BD06E](#) [1825008-1](#) [1825444-1](#) [25.350.0653.0](#) [LA2-DC12](#) [SBS 5004 TG](#)  
[SDA10H1BDA](#) [97R06ST](#) [A2C-2A5](#) [1825444-7](#) [ADE08SA04](#) [ADE12S04](#) [2161391-1](#) [2-1825058-8](#) [CCVA 2.5/ 4-G-5.08](#) [P26THRR32](#)  
[25.330.0653.1](#) [25.352.0353.0](#) [MDG305ST](#) [IKN0600000](#) [IKN0800000](#) [LA2-002-DC24](#) [DBP2008](#) [DBS1003](#) [DBS2008](#) [438872000](#)  
[DRD10CRAE04](#) [DRS1604](#) [DSR02T](#) [DSS 208 N](#) [5-1825033-1](#) [106-SDN06-EV](#) [1-1437507-6](#) [E2FMX2D1M1TGJ03M](#)  
[E3ZMCT81M1TJ03M](#)