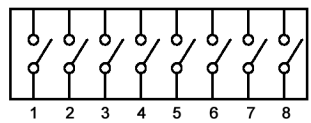
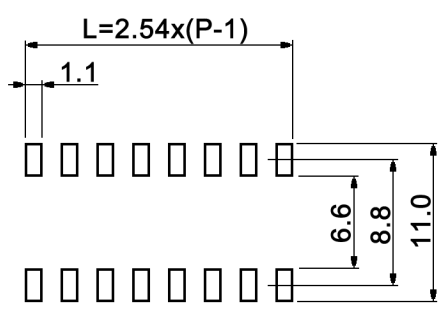


WIRING DIAGRAM



P.C.B. LAYOUT



xx	Poles	A
SBS 9101 TK	1	2.98
SBS 9102 TK	2	5.52
SBS 9103 TK	3	8.06
SBS 9104 TK	4	10.60
SBS 9105 TK	5	13.14
SBS 9106 TK	6	15.68
SBS 9107 TK	7	18.22
SBS 9108 TK	8	20.76
SBS 9109 TK	9	23.30
SBS 9110 TK	10	25.84
SBS 9112 TK	12	30.92



Tolerances: 0.1-1.0: ±0.05mm 1.0-5.0: ±0.1mm 5.0-10.0: ±0.2mm >10.0: ±0.2mm	Date	Name
	07/05	dr
Revised	03/12	dr
Actuator	03/09	dr
Temperature	01/06	dr
Actuator height	01/06	dr
Non-switching rating	12/05	dr
Modifications	Date	Name

SBS 91xx TK

knitter-switch

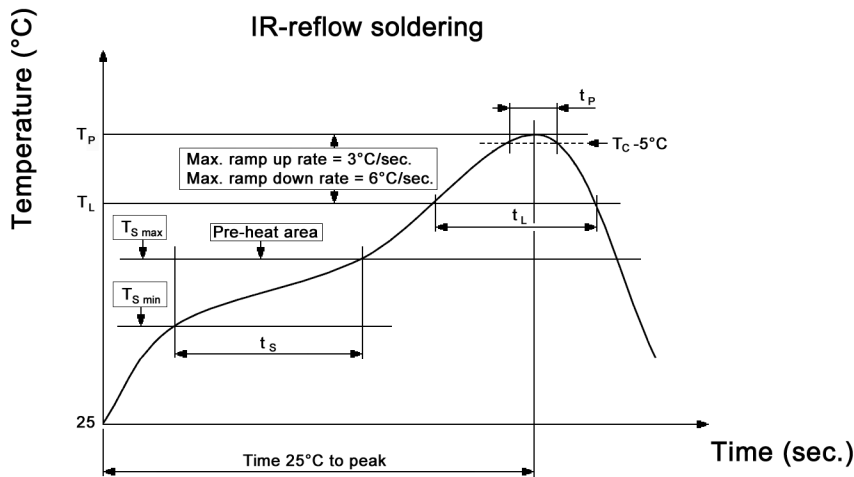
30 06 59

Page
1/5

Specifications:

Contact rating: switching: 25mA, 24V DC
 non-switching: 100mA, 50V DC
Contact resistance: 50mOhm max.
Insulation resistance: 100MOhm min. at 500V DC
Dielectric strength: 500V DC for 1 minute
Operating temperature: -40°C to +85°C
Storage temperature: -40°C to +85°C
Mechanical life: 5 000 cycles min.
Electrical life: 2 000 cycles
Material: Cover / base: PPS UL94V-0, black
 Actuator: PA46 UL94V-0, white
 Contact / terminal: copper alloy, tin plated

Soldering conditions:

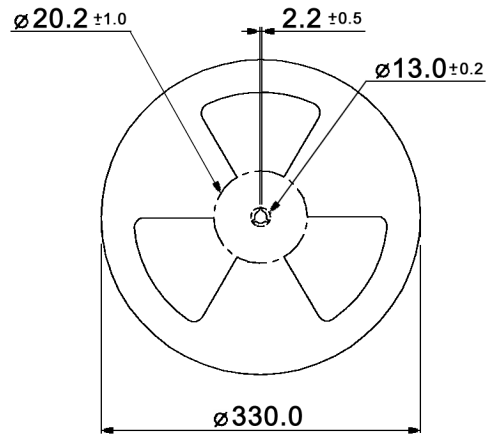
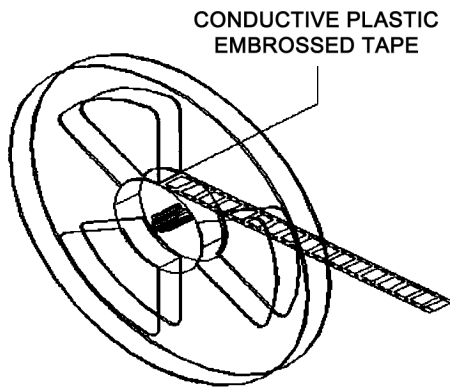


Tolerances: 0.1-1.0: ±0.05mm 1.0-5.0: ±0.1mm 5.0-10.0: ±0.2mm >10.0: ±0.2mm	Date	Name
	07/05	dr

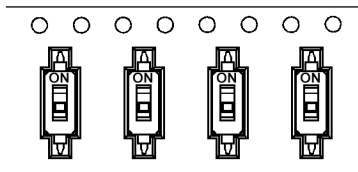
SBS 91xx TK

Modifications	Date	Name	knitter-switch	30 06 59	Page
					2/5

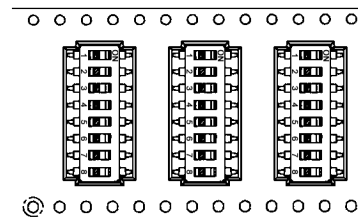
Packaging:



SBS 9101 TK, SBS 9102 TK



SBS 9103 TK...SBS 9112 TK



xx	Pcs. per reel	Carrier pitch (mm)	Carrier width (mm)
SBS 9101 TK	1500	8	16
SBS 9102 TK	1500	8	16
SBS 9103 TK	800	16	16
SBS 9104 TK	800	16	24
SBS 9105 TK	800	16	24
SBS 9106 TK	800	16	24
SBS 9107 TK	800	16	32
SBS 9108 TK	800	16	32
SBS 9109 TK	800	16	44
SBS 9110 TK	800	16	44
SBS 9111 TK	800	16	44
SBS 9112 TK	800	16	44



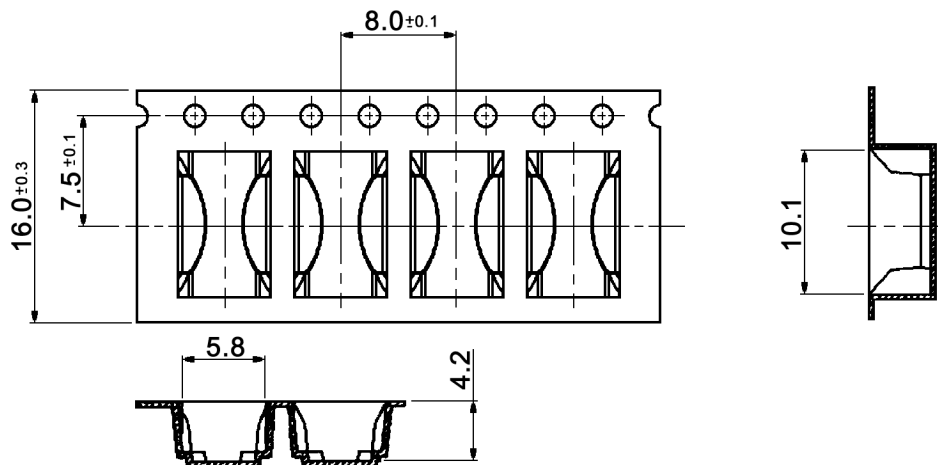
Tolerances: 0.1-1.0: ±0.05mm 1.0-5.0: ±0.1mm 5.0-10.0: ±0.2mm >10.0: ±0.2mm	Date	Name	<h1>SBS 91xx TK</h1>
	07/05	dr	
Modifications	Date	Name	

knitter-switch

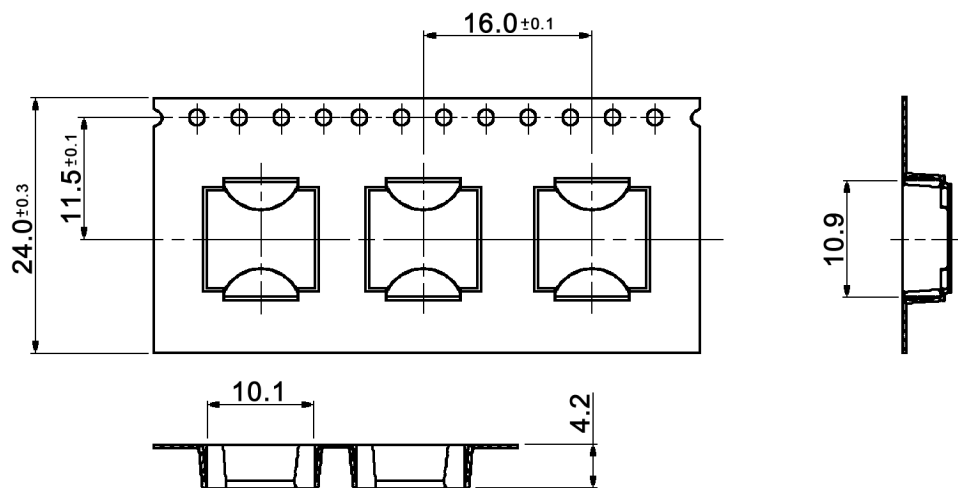
30 06 59

Page
3/5

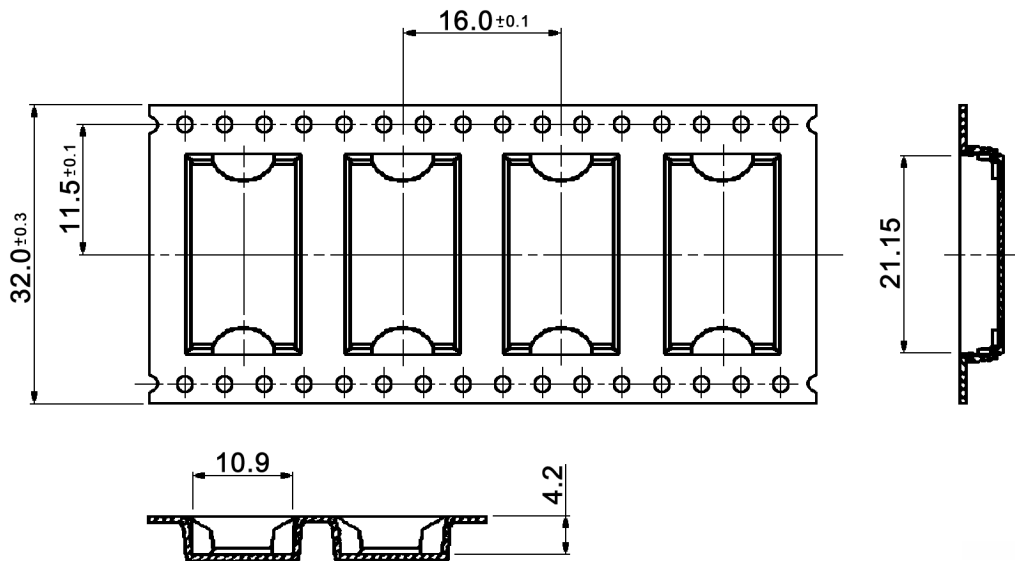
16mm



24mm



32mm



Tolerances: 0.1-1.0: ±0.05mm 1.0-5.0: ±0.1mm 5.0-10.0: ±0.2mm >10.0: ±0.2mm	Date	Name
	07/05	dr
Modifications	Date	Name

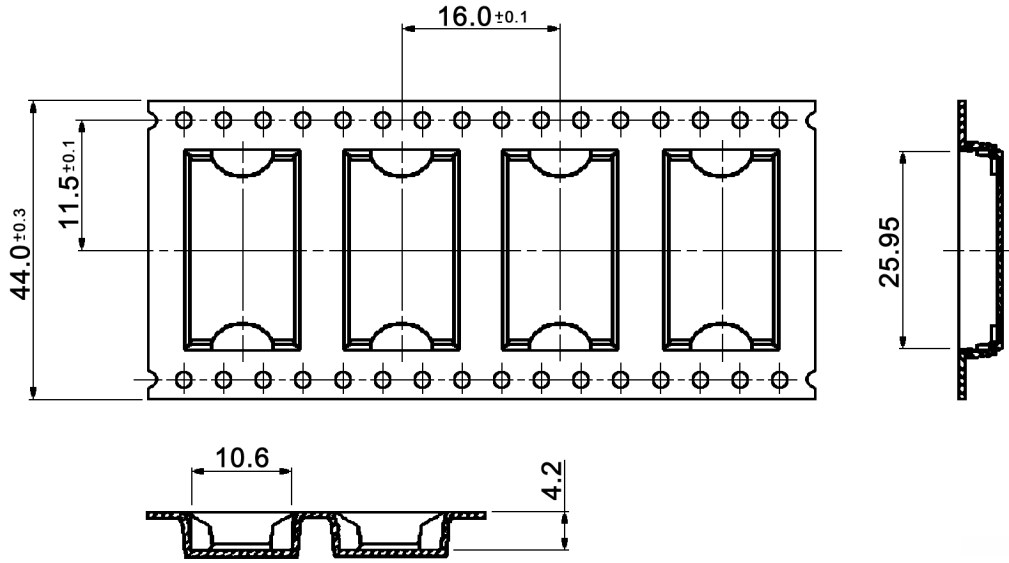
SBS 91xx TK

knitter-switch

30 06 59

Page
4/5

44mm



Tolerances: 0.1-1.0: ±0.05mm
 1.0-5.0: ±0.1mm
 5.0-10.0: ±0.2mm
 >10.0: ±0.2mm

Date	Name
07/05	dr

SBS 91xx TK

knitter-switch

30 06 59

Page

5/5

Modifications	Date	Name

X-ON Electronics

Largest Supplier of Electrical and Electronic Components

Click to view similar products for [DIP Switches/SIP Switches](#) category:

Click to view products by [Knitter-Switch](#) manufacturer:

Other Similar products are found below :

[78M03S](#) [79B10T](#) [8136-475G4T](#) [G7G-1A2-CB-DC12](#) [A7SS-M](#) [DBP 2110](#) [DBP 2112](#) [DBS1008](#) [DHN02FTVTR](#) [DHN10T](#) [DHS108](#)
[DPL08TN](#) [DRD16CSE04](#) [DRR4010](#) [DRR60016](#) [DRS4016](#) [BD06E](#) [1825008-1](#) [1825444-1](#) [25.350.0653.0](#) [LA2-DC12](#) [SBS 5004 TG](#)
[SDA10H1BDA](#) [97R06ST](#) [A2C-2A5](#) [1825444-7](#) [ADE08SA04](#) [ADE12S04](#) [2161391-1](#) [2-1825058-8](#) [CCVA 2.5/ 4-G-5.08](#) [P26THRR32](#)
[25.330.0653.1](#) [25.352.0353.0](#) [MDG305ST](#) [IKN0600000](#) [IKN0800000](#) [LA2-002-DC24](#) [DBP2008](#) [DBS1003](#) [DBS2008](#) [438872000](#)
[DRD10CRAE04](#) [DRS1604](#) [DSR02T](#) [DSS 208 N](#) [5-1825033-1](#) [106-SDN06-EV](#) [1-1437507-6](#) [E2FMX2D1M1TGJ03M](#)
[E3ZMCT81M1TJ03M](#)