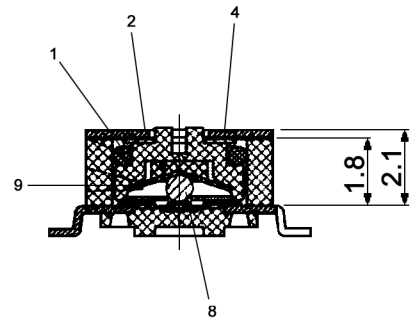
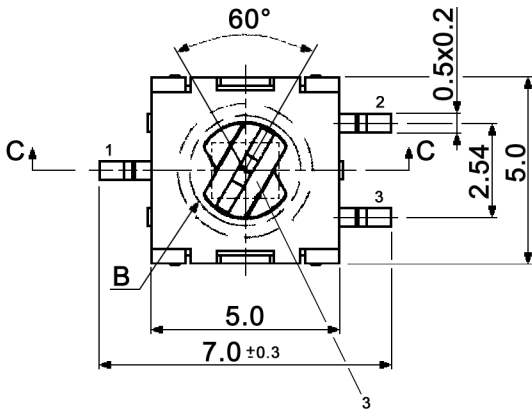
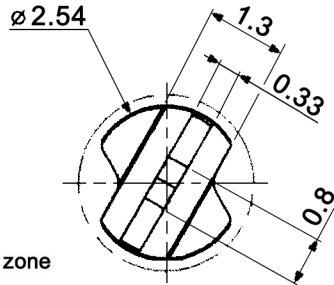
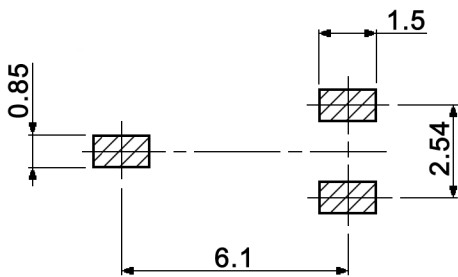


DETAIL B



SECTION C-C

P.C.B. LAYOUT  
(TOP VIEW)



CIRCUIT DIAGRAM  
1: COMMON PIN  
TOP VIEW



Compliance: RohS II (2011/65/EU)

Tolerances: up to 10: ±0.2mm above 10-50: ±0.3mm	Date	Name
	12/10	dr

**SMR 1-30**

Operating temperature	02/17	dr	<b>knitter-switch</b>
Contact rating	07/15	dr	
Modifications	Date	Name	

**30 22 60**

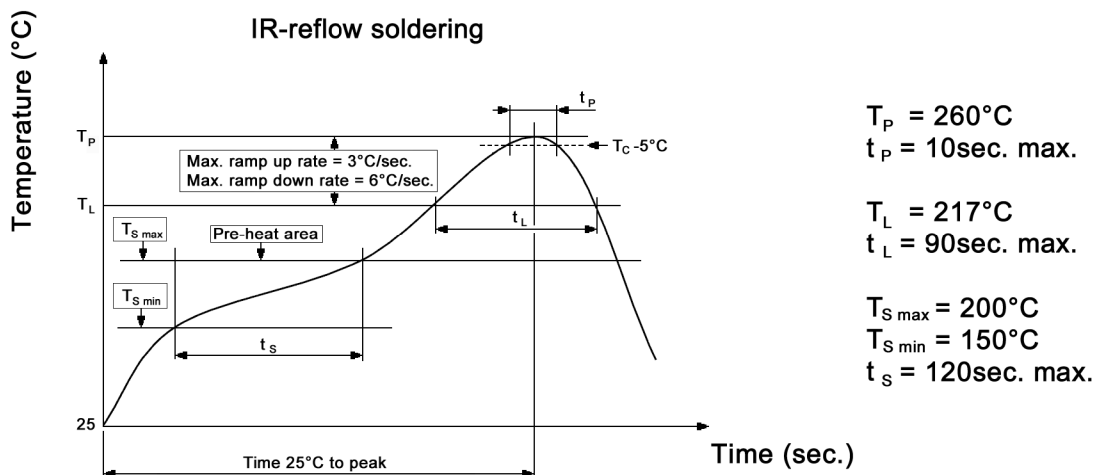
Page

1/3

**Specifications:**

- Contact rating:** switching: 50mA, 12V DC  
non-switching: 100mA, 60V DC
- Contact resistance:** 100mOhm max.
- Insulation resistance:** 500MOhm min. at 500V DC for 1 minute
- Dielectric strength:** 500V AC (50Hz, 2mA) for 1 minute
- Operating temperature:** -40°C to +105°C
- Operating force:** 200gf max.
- Material:**
- 1 - O-ring: silicone rubber, black
  - 2 - Rubber piece: silicone rubber, black
  - 3 - Stem: LCP, dark grey
  - 4 - E-ring: stainless steel, washing
  - 5 - Case: LCP, dark grey
  - 6 - Cover: stainless steel, washing
  - 7 - Terminal: brass, 0.25µm gold plated
  - 8 - Lever supporter: brass, 0.5µm gold plated
  - 9 - Spring plate: stainless steel, washing

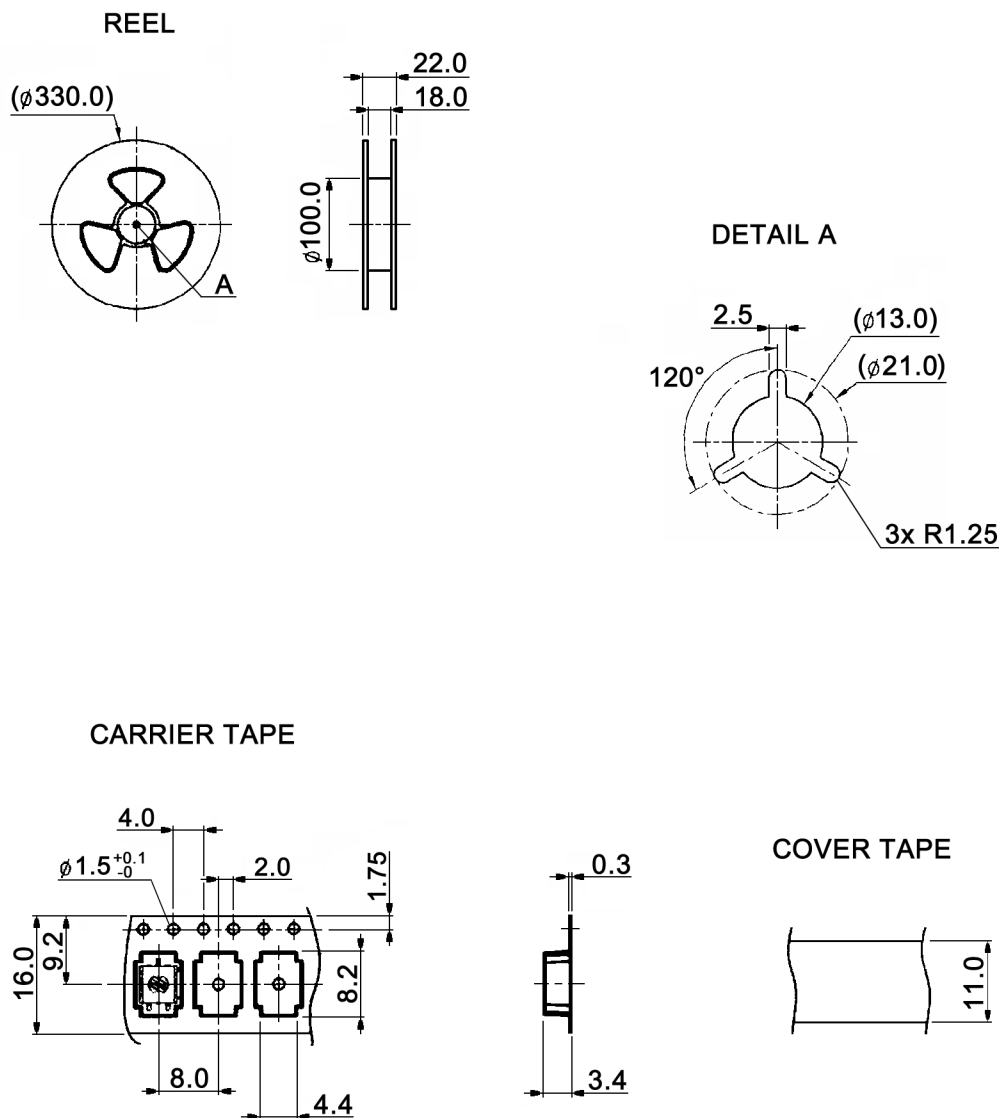
**Soldering conditions:**



**Compliance: RohS II (2011/65/EU)**

Tolerances: up to 10: ±0.2mm above 10-50: ±0.3mm		Date	Name	<h1>SMR 1-30</h1>
		12/10	dr	
		<b>knitter-switch</b>		<h2>30 22 60</h2>
Modifications	Date	Name		Page 2/3

Packaging:



Packaging unit: 2000 pcs. / reel  
Compliance: RohS II (2011/65/EU)

Tolerances: up to 10: $\pm 0.2\text{mm}$ above 10-50: $\pm 0.3\text{mm}$	Date	Name
	12/10	dr
Modifications	Date	Name

**SMR 1-30**

**30 22 60**

Page  
3/3

**knitter-switch**

## X-ON Electronics

Largest Supplier of Electrical and Electronic Components

*Click to view similar products for [Rotary Switches](#) category:*

*Click to view products by [Knitter-Switch](#) manufacturer:*

Other Similar products are found below :

[57HS22-02-2-06N](#) [57M22-02B16N](#) [57M22-09A16N](#) [61-4970.10](#) [M3786/4-0881](#) [M3786/4-3267](#) [M3786/4-5568](#) [M3786/4-6029](#) [71ESF30-05204N](#) [MC06L1NCGF](#) [84986-26](#) [9003K2C003GA](#) [PLR3251](#) [PLR3262](#) [PS3](#) [A0142M2SP](#) [A019605](#) [A029303](#) [R2AA4455NNNN](#) [R2BB4455NNNN](#) [RMS1224](#) [DR75-AMSF-10R-B](#) [14-520.0360](#) [1703.3201](#) [HW1MS-0202-101](#) [24002-03S](#) [A029101](#) [ACSNO-129-YB-C1014](#) [ACSNO-134-RR-YB-C1005](#) [ACSNO-353-SB-C3016](#) [1825537-4](#) [T505](#) [T505E](#) [24005-03N](#) [H10207RR01Q](#) [M3786/4-0002](#) [M3786/4-0630](#) [M3786/4-1028L](#) [M3786/4-1233L](#) [M3786/4-3044](#) [M3786/4-3129](#) [M3786/4-5008L](#) [M3786/4-5256](#) [MC6CX1A502X009](#) [42HS36-01-1-06N](#) [42P36-03B10S](#) [44MBS60-04-2-03N](#) [44MG90-02-1-02N](#) [50KMT90-01-2-02N](#) [51A22-01-1-16S](#)