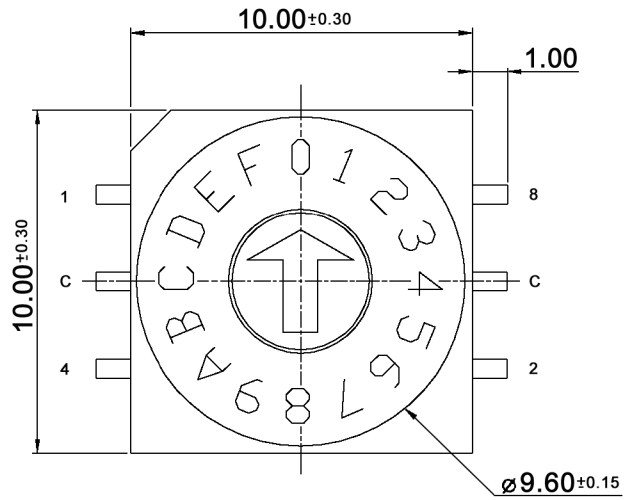


coplanarity failure +/-0.05mm max.

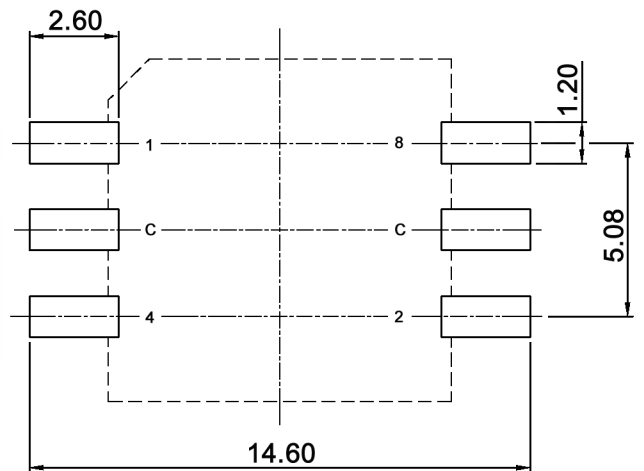


Hexadecimal

	Real coded			
	1	2	4	8
0				
1	●			
2		●		
3	●	●		
4			●	
5	●		●	
6	●	●	●	
7	●	●	●	
8				●
9	●			●
A		●		●
B	●	●		●
C			●	●
D	●		●	●
E		●	●	●
F	●	●	●	●

16  
P  
o  
s  
i  
t  
i  
o  
n  
s

P.C.B. DIMENSION



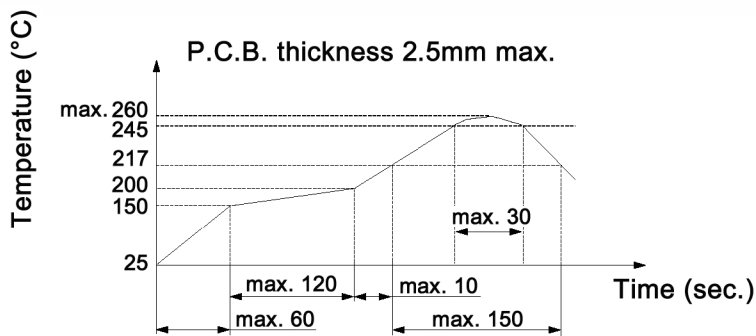
Compliance: RohS II (2011/65/EU)

Tolerances:			Date	Name	<h1>SMR 60016</h1>
			01/08	dr	
Contact rating	08/14	dr			
Temperatures	12/12	dr			
Tolerances	03/12	dr			
IP rating	07/09	dr			
Operating temperature	11/08	dr	<b>knitter-switch</b>		<h1>30 13 63</h1>
Coplanarity failure	08/08	dr			
Packaging	07/08	dr			
Modifications	Date	Name			Page 1/3

**Specifications:**

**Contact rating:** non-switching: 200mA, 42V  
 switching: 150mA, 42V  
**Contact resistance:** 80mOhm max.  
**Insulation resistance:** 100MOhm min. at 250V DC for 1 minute +/-5sec.  
**Dielectric strength:** 250V AC (50/60Hz) for 1 minute  
**Operating temperature:** -60°C to +125°C  
**Storage temperature:** -60°C to +125°C  
**Mechanical life:** 10 000 cycles  
**Operating force:** 700gf/cm max.  
**Material:** Cover / base: PA 6T, black  
 Actuator: PA 66, STS  
 Contact / terminal: phosphor bronze, 0.07µ min. gold plated  
 over 0.1µ min. nickel  
 PCB: epoxy seal, 0.05µ min. gold plated  
 O-ring: silicone  
**IP rating:** IP67

**Soldering conditions:**



The condition mentioned above is the temperature on the Cu foil of PCB surface. It might happen that the board's temperature greatly differs from switch's surface temperature depending on board's material, size, thickness, etc. Therefore, care should be used not to allow switch's surface temperature to exceed 260°C.

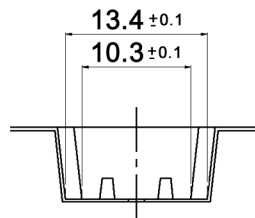
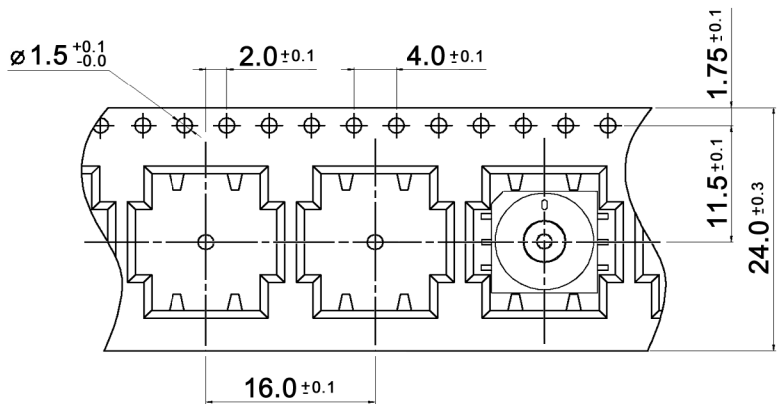
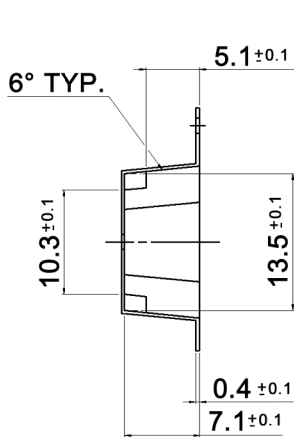
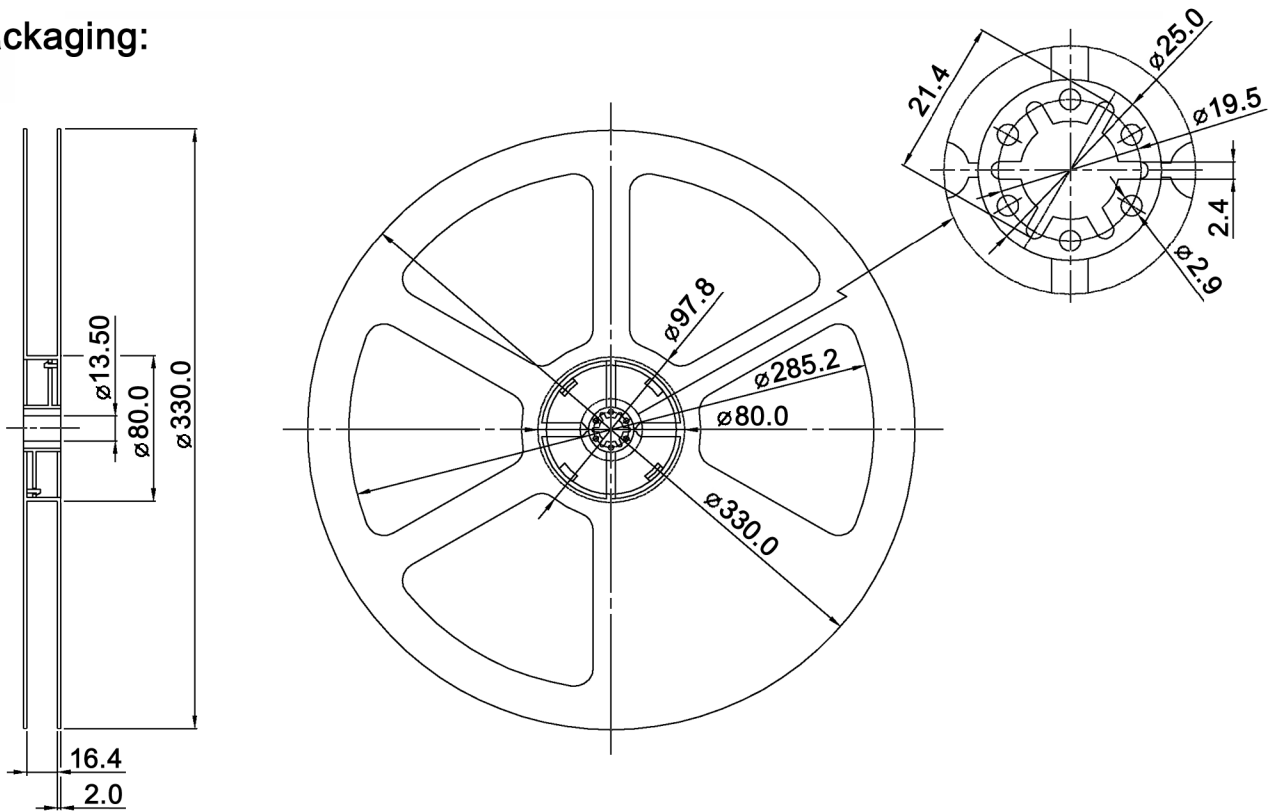
**Precautions in handling**

Care should be exercised so that flux from the upper part of the printed circuit board does not adhere to the switch.

Compliance: RohS II (2011/65/EU)

Tolerances:	Date	Name	<h1>SMR 60016</h1>
	01/08	dr	
			<h2>30 13 63</h2>
			Page
			2/3
Modifications	Date	Name	

**Packaging:**



Packaging unit: 600 pcs / reel  
 Compliance: RohS II (2011/65/EU)

Tolerances:	Date	Name	<b>SMR 60016</b>
	07/08	dr	
			<b>30 13 63</b>
			Page
			3/3
Modifications	Date	Name	

## X-ON Electronics

Largest Supplier of Electrical and Electronic Components

*Click to view similar products for [DIP Switches/SIP Switches](#) category:*

*Click to view products by [Knitter-Switch](#) manufacturer:*

Other Similar products are found below :

[78M03S](#) [79B10T](#) [8136-475G4T](#) [G7G-1A2-CB-DC12](#) [A7SS-M](#) [DBP 2110](#) [DBP 2112](#) [DBS1008](#) [DHN02FTVTR](#) [DHN10T](#) [DHS108](#)  
[DPL08TN](#) [DRD16CSE04](#) [DRR4010](#) [DRR60016](#) [DRS4016](#) [BD06E](#) [1825008-1](#) [1825444-1](#) [25.350.0653.0](#) [LA2-DC12](#) [SBS 5004 TG](#)  
[SDA10H1BDA](#) [97R06ST](#) [A2C-2A5](#) [1825444-7](#) [ADE08SA04](#) [ADE12S04](#) [2161391-1](#) [2-1825058-8](#) [CCVA 2.5/ 4-G-5.08](#) [P26THRR32](#)  
[25.330.0653.1](#) [25.352.0353.0](#) [MDG305ST](#) [IKN0600000](#) [IKN0800000](#) [LA2-002-DC24](#) [DBP2008](#) [DBS1003](#) [DBS2008](#) [438872000](#)  
[DRD10CRAE04](#) [DRS1604](#) [DSR02T](#) [DSS 208 N](#) [5-1825033-1](#) [106-SDN06-EV](#) [1-1437507-6](#) [E2FMX2D1M1TGJ03M](#)  
[E3ZMCT81M1TJ03M](#)