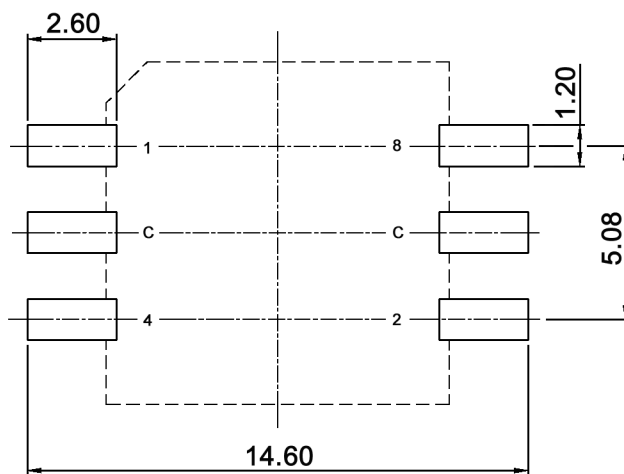


coplanarity failure +/-0.05mm max.

Hexadecimal inverse

	Complement coded			
	1	2	4	8
0	●	●	●	●
1		●	●	●
2	●		●	●
3			●	●
4	●	●		●
5		●		●
6	●			●
7				●
8	●	●	●	
9		●	●	
A	●		●	
B			●	
C	●	●		
D		●		
E	●			
F				

P.C.B. DIMENSION



Compliance: RohS II (2011/65/EU)

Tolerances:			Date	Name
			08/08	dr
Contact rating	08/14	dr		
Temperatures	12/12	dr		
IP rating	07/09	dr		
Operating temperature	11/08	dr		
Coplanarity failure	08/08	dr		
Modifications	Date	Name		

SMR 60116

30 15 55

Page

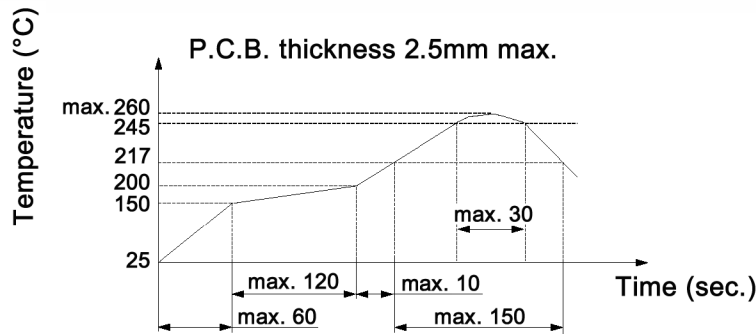
1/3

knitter-switch

Specifications:

Contact rating: non-switching: 200mA, 42V
switching: 150mA, 42V
Contact resistance: 80mOhm max.
Insulation resistance: 100MOhm min. at 250V DC for 1 minute +/-5sec.
Dielectric strength: 250V AC (50/60Hz) for 1 minute
Operating temperature: -60°C to +125°C
Storage temperature: -60°C to +125°C
Mechanical life: 10 000 cycles
Operating force: 700gf/cm max.
Material: Cover / base: PA 6T, black
Actuator: PA 66, STS
Contact / terminal: phosphor bronze, 0.07µ min. gold plated
over 0.1µ min. nickel
PCB: epoxy seal, 0.05µ min. gold plated
O-ring: silicone
IP rating: IP67

Soldering conditions:



The condition mentioned above is the temperature on the Cu foil of PCB surface. It might happen that the board's temperature greatly differs from switch's surface temperature depending on board's material, size, thickness, etc. Therefore, care should be used not to allow switch's surface temperature to exceed 260°C.

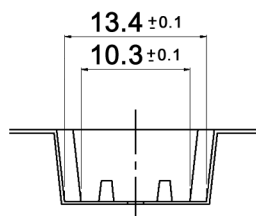
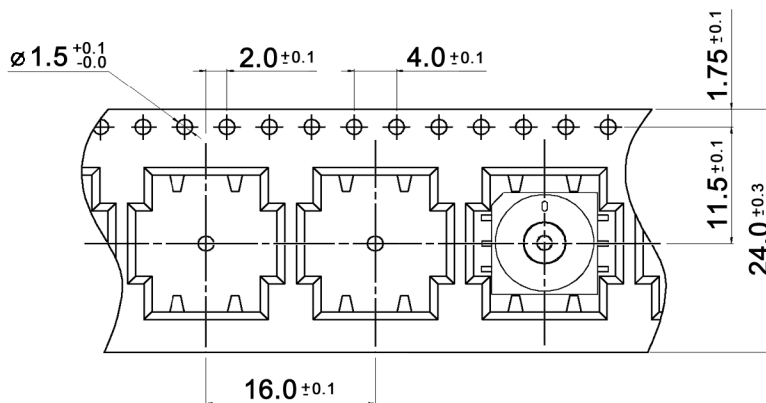
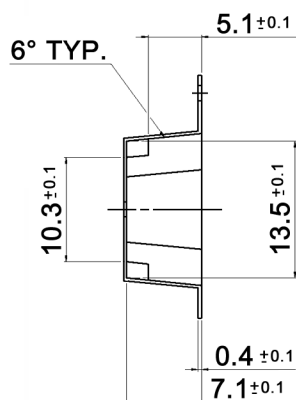
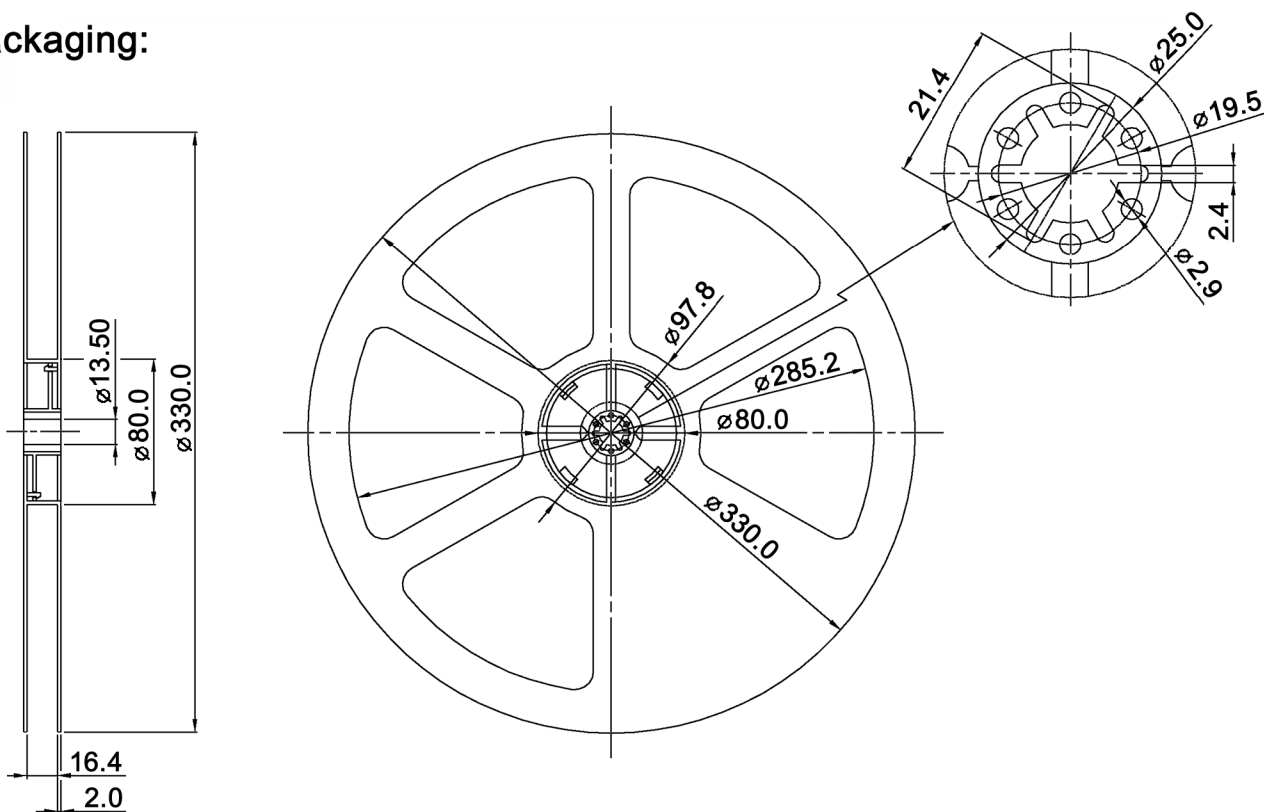
Precautions in handling

Care should be exercised so that flux from the upper part of the printed circuit board does not adhere to the switch.

Compliance: RohS II (2011/65/EU)

Tolerances:	Date	Name	SMR 60116
	08/08	dr	
			30 15 55
			Page
			2/3
Modifications	Date	Name	

Packaging:



Packaging unit: 600 pcs / reel
 Compliance: RohS II (2011/65/EU)

Tolerances:			Date	Name
			08/08	dr
Modifications	Date	Name		

SMR 60116

knitter-switch

30 15 55

Page

3/3

X-ON Electronics

Largest Supplier of Electrical and Electronic Components

Click to view similar products for [DIP Switches/SIP Switches](#) category:

Click to view products by [Knitter-Switch](#) manufacturer:

Other Similar products are found below :

[78M03S](#) [79B10T](#) [8136-475G4T](#) [G7G-1A2-CB-DC12](#) [A7SS-M](#) [DBP 2110](#) [DBP 2112](#) [DBS1008](#) [DHN02FTVTR](#) [DHN10T](#) [DHS108](#)
[DPL08TN](#) [DRD16CSE04](#) [DRR4010](#) [DRR60016](#) [DRS4016](#) [BD06E](#) [1825008-1](#) [1825444-1](#) [25.350.0653.0](#) [LA2-DC12](#) [SBS 5004 TG](#)
[SDA10H1BDA](#) [97R06ST](#) [A2C-2A5](#) [1825444-7](#) [ADE08SA04](#) [ADE12S04](#) [2161391-1](#) [2-1825058-8](#) [CCVA 2.5/ 4-G-5.08](#) [P26THRR32](#)
[25.330.0653.1](#) [25.352.0353.0](#) [MDG305ST](#) [IKN0600000](#) [IKN0800000](#) [LA2-002-DC24](#) [DBP2008](#) [DBS1003](#) [DBS2008](#) [438872000](#)
[DRD10CRAE04](#) [DRS1604](#) [DSR02T](#) [DSS 208 N](#) [5-1825033-1](#) [106-SDN06-EV](#) [1-1437507-6](#) [E2FMX2D1M1TGJ03M](#)
[E3ZMCT81M1TJ03M](#)