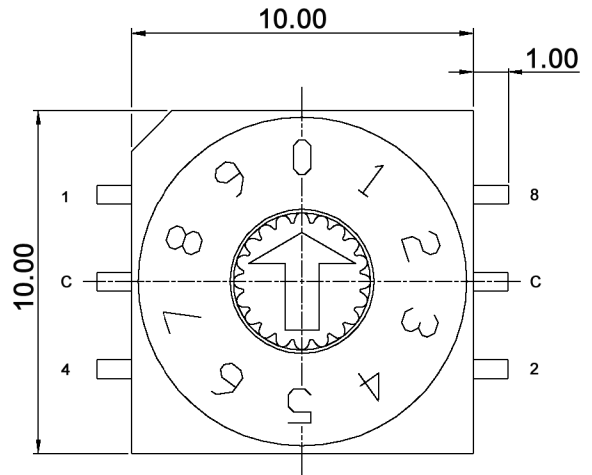
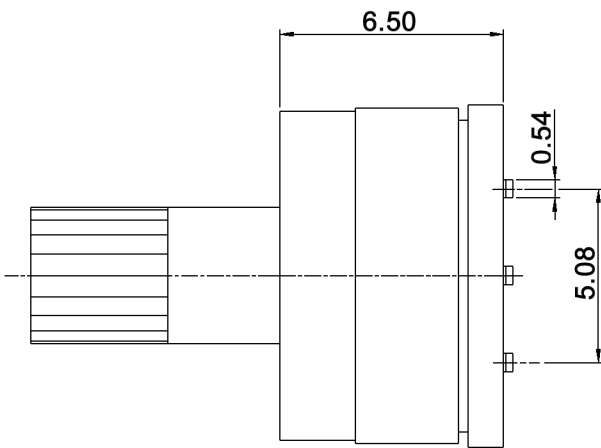
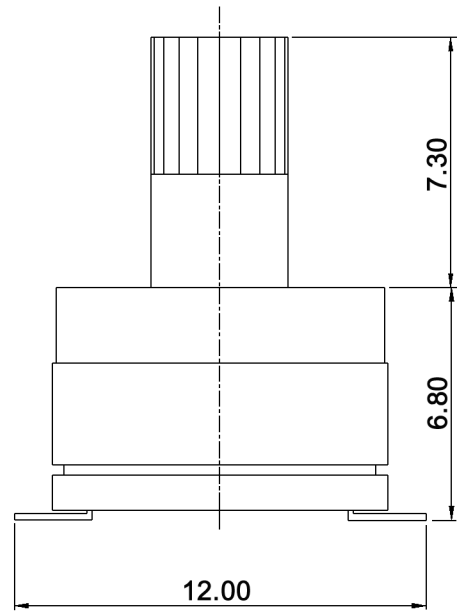
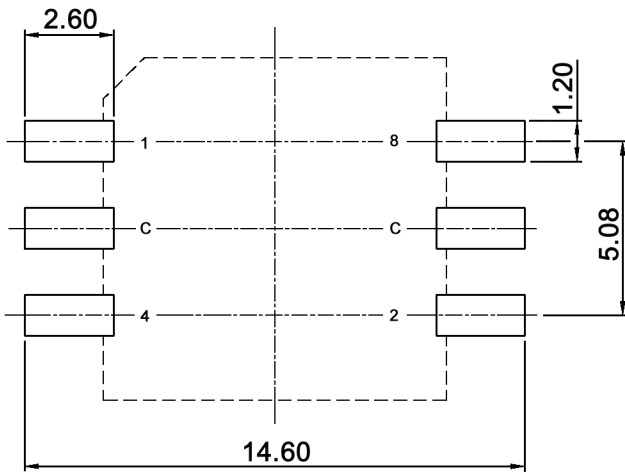


P.C.B. DIMENSION



coplanarity failure +/-0.05mm max.

BCD

		Real coded				
		C	1	2	4	8
10 P o s i t i o n s	0	●				
	1	●	●			
	2	●		●		
	3	●			●	
	4	●				●
	5	●	●			●
	6	●		●		●
	7	●	●	●		●
	8	●				●
	9	●	●			●

Compliance: RohS II (2011/65/EU)

Tolerances:			Date	Name
			01/08	dr
Contact rating	08/14	dr		
Temperatures	12/12	dr		
IP rating	07/09	dr		
Operating temperature	11/08	dr		
Coplanarity failure	08/08	dr		
Modifications	Date	Name		

SMR 61010

30 13 66

knitter-switch

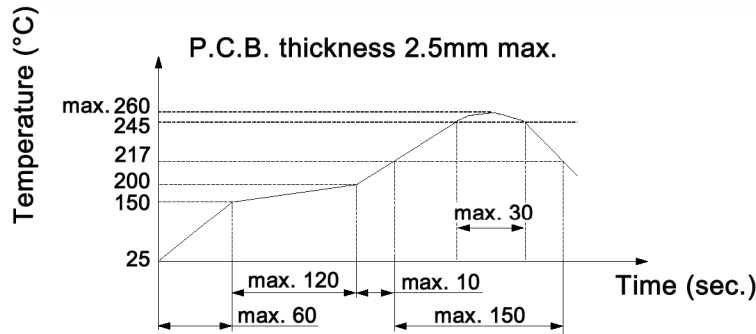
Page

1/2

Specifications:

Contact rating: non-switching: 200mA, 42V
 switching: 150mA, 42V
Contact resistance: 80mOhm max.
Insulation resistance: 100MOhm min. at 250V DC for 1 minute +/-5sec.
Dielectric strength: 250V AC (50/60Hz) for 1 minute
Operating temperature: -60°C to +125°C
Storage temperature: -60°C to +125°C
Mechanical life: 10 000 cycles
Operating force: 700gf/cm max.
Material: Cover / base: PA 6T, black
 Actuator: PA 66, STS
 Contact / terminal: phosphor bronze, 0.07µ min. gold plated
 over 0.1µ min. nickel
 PCB: epoxy seal, 0.05µ min. gold plated
 O-ring: silicone
IP rating: IP67

Soldering conditions:



The condition mentioned above is the temperature on the Cu foil of PCB surface. It might happen that the board's temperature greatly differs from switch's surface temperature depending on board's material, size, thickness, etc. Therefore, care should be used not to allow switch's surface temperature to exceed 260°C.

Precautions in handling

Care should be exercised so that flux from the upper part of the printed circuit board does not adhere to the switch.

Compliance: RohS II (2011/65/EU)

Tolerances:	Date	Name	SMR 61010
	01/08	dr	
			30 13 66
			knitter-switch
			30 13 66
Modifications	Date	Name	Page 2/2

X-ON Electronics

Largest Supplier of Electrical and Electronic Components

Click to view similar products for [DIP Switches/SIP Switches](#) category:

Click to view products by [Knitter-Switch](#) manufacturer:

Other Similar products are found below :

[78M03S](#) [79B10T](#) [8136-475G4T](#) [G7G-1A2-CB-DC12](#) [A7SS-M](#) [DBP 2110](#) [DBP 2112](#) [DBS1008](#) [DHN02FTVTR](#) [DHN10T](#) [DHS108](#)
[DPL08TN](#) [DRD16CSE04](#) [DRR4010](#) [DRR60016](#) [DRS4016](#) [BD06E](#) [1825008-1](#) [1825444-1](#) [25.350.0653.0](#) [LA2-DC12](#) [SBS 5004 TG](#)
[SDA10H1BDA](#) [97R06ST](#) [A2C-2A5](#) [1825444-7](#) [ADE08SA04](#) [ADE12S04](#) [2161391-1](#) [2-1825058-8](#) [CCVA 2.5/ 4-G-5.08](#) [P26THRR32](#)
[25.330.0653.1](#) [25.352.0353.0](#) [MDG305ST](#) [IKN0600000](#) [IKN0800000](#) [LA2-002-DC24](#) [DBP2008](#) [DBS1003](#) [DBS2008](#) [438872000](#)
[DRD10CRAE04](#) [DRS1604](#) [DSR02T](#) [DSS 208 N](#) [5-1825033-1](#) [106-SDN06-EV](#) [1-1437507-6](#) [E2FMX2D1M1TGJ03M](#)
[E3ZMCT81M1TJ03M](#)