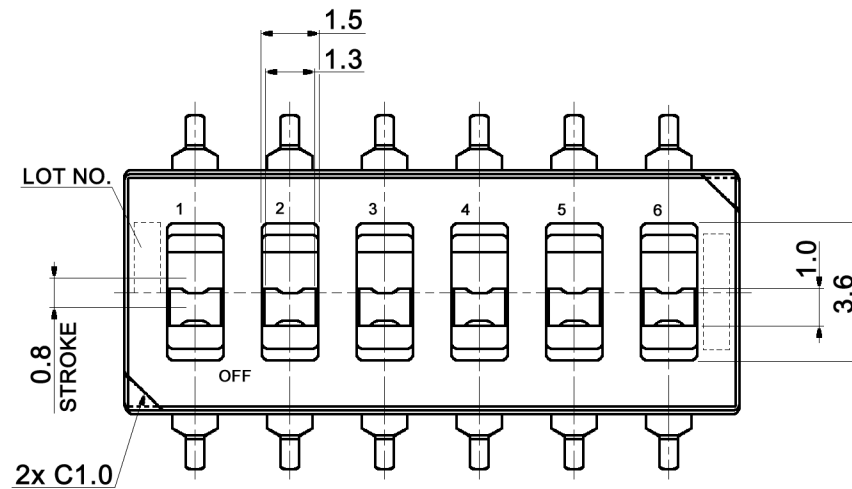
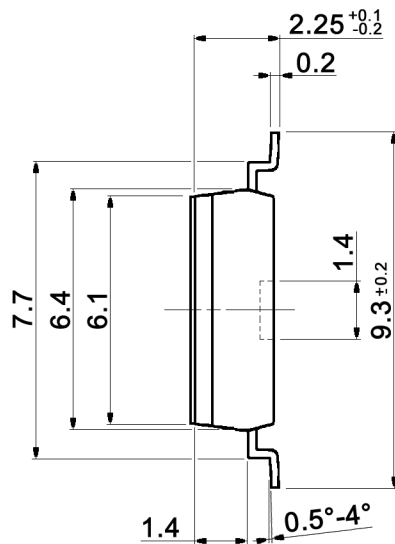
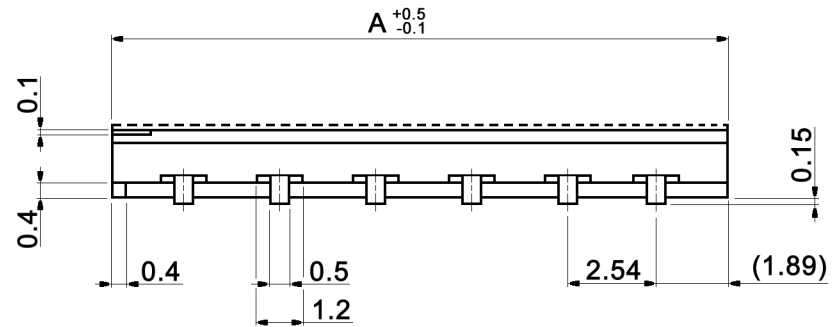


Part No.	Poles	A
SMS 502	2	6.3
SMS 504	4	11.4
SMS 506	6	16.5
SMS 508	8	21.55
SMS 510	10	26.65



Compliance: RohS II (2011/65/EU)

x	Packaging
empty	tube packaging
T	tape and reel

Tolerances: <3: ±0.2mm >3: ±0.3mm	Date 11/09	Name dr	<h1>SMS 500 x</h1>
Operating temperature	06/15	dr	
Tolerances	05/12	dr	
Operating temperature	03/11	dr	
Soldering conditions	02/10	dr	<h2>knitter-switch</h2>
Modifications	Date	Name	
			<h1>30 19 53</h1>
			Page 1/3

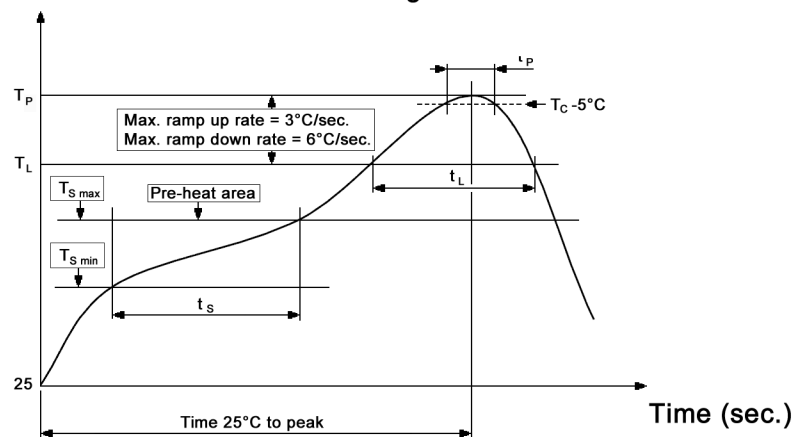
Slide position:

Contacts: beryllium copper, plated 0.3µm gold over 2µm nickel
Terminals: nickel silver, plated 0.3µm gold over 2µm nickel
Case / slide: PA

Soldering conditions:

Temperature (°C)

IR-reflow soldering



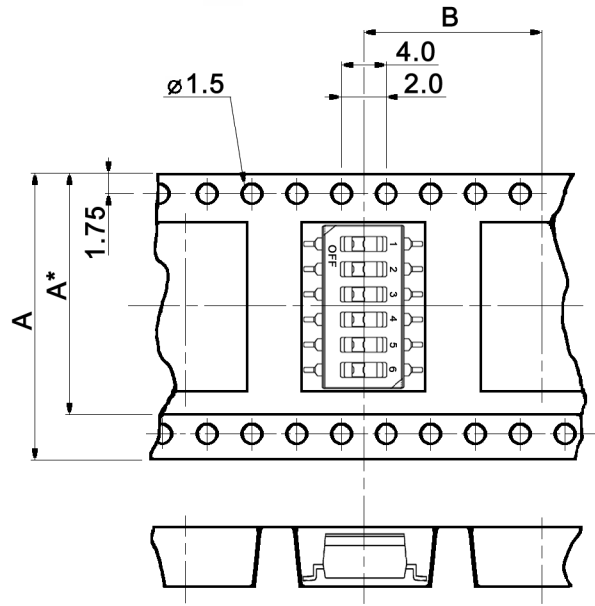
$T_P = 260^\circ\text{C}$
 $t_P = 10\text{sec. max.}$

$T_L = 217^\circ\text{C}$
 $t_L = 90\text{sec. max.}$

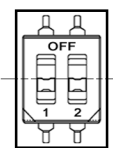
$T_{S\max} = 200^\circ\text{C}$
 $T_{S\min} = 150^\circ\text{C}$
 $t_S = 120\text{sec. max.}$

Compliance: RohS II (2011/65/EU)

Tolerances: <3: ±0.2mm >3: ±0.3mm		Date	Name	<h1>SMS 500 x</h1>
		11/09	dr	
		knitter-switch		<h2>30 19 53</h2>
				Page
				2/3
Modifications	Date	Name		



SMS 502



Part No.	A	B	Tube	Tape
SMS 502	16.0 *	8.0	72 pcs.	2000 pcs.
SMS 504	24.0 *	12.0	40 pcs.	1000 pcs.
SMS 506	24.0 *	12.0	28 pcs.	1000 pcs.
SMS 508	32.0	12.0	20 pcs.	1000 pcs.
SMS 510	44.0	12.0	16 pcs.	1000 pcs.

Compliance: RohS II (2011/65/EU)

Tolerances: <3: ±0.2mm >3: ±0.3mm		Date	Name	<h1>SMS 500 x</h1>
		11/09	dr	
		knitter-switch		<h1>30 19 53</h1>
				Page 3/3
Modifications	Date	Name		

X-ON Electronics

Largest Supplier of Electrical and Electronic Components

Click to view similar products for [DIP Switches/SIP Switches](#) category:

Click to view products by [Knitter-Switch](#) manufacturer:

Other Similar products are found below :

[78M03S](#) [79B10T](#) [8136-475G4T](#) [G7G-1A2-CB-DC12](#) [A7SS-M](#) [DBP 2110](#) [DBP 2112](#) [DBS1008](#) [DHN02FTVTR](#) [DHN10T](#) [DHS108](#)
[DPL08TN](#) [DRD16CSE04](#) [DRR4010](#) [DRR60016](#) [DRS4016](#) [BD06E](#) [1825008-1](#) [1825444-1](#) [25.350.0653.0](#) [LA2-DC12](#) [SBS 5004 TG](#)
[SDA10H1BDA](#) [97R06ST](#) [A2C-2A5](#) [1825444-7](#) [ADE08SA04](#) [ADE12S04](#) [2161391-1](#) [2-1825058-8](#) [CCVA 2.5/ 4-G-5.08](#) [P26THRR32](#)
[25.330.0653.1](#) [25.352.0353.0](#) [MDG305ST](#) [IKN0600000](#) [IKN0800000](#) [LA2-002-DC24](#) [DBP2008](#) [DBS1003](#) [DBS2008](#) [438872000](#)
[DRD10CRAE04](#) [DRS1604](#) [DSR02T](#) [DSS 208 N](#) [5-1825033-1](#) [106-SDN06-EV](#) [1-1437507-6](#) [E2FMX2D1M1TGJ03M](#)
[E3ZMCT81M1TJ03M](#)