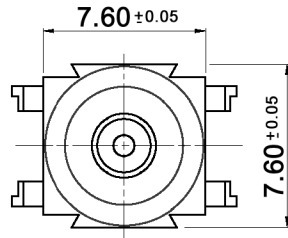
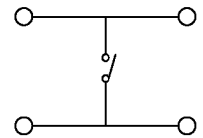
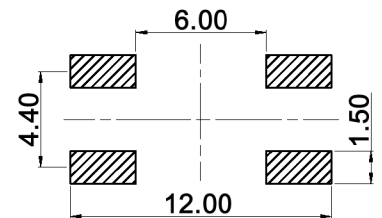


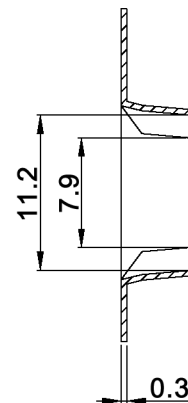
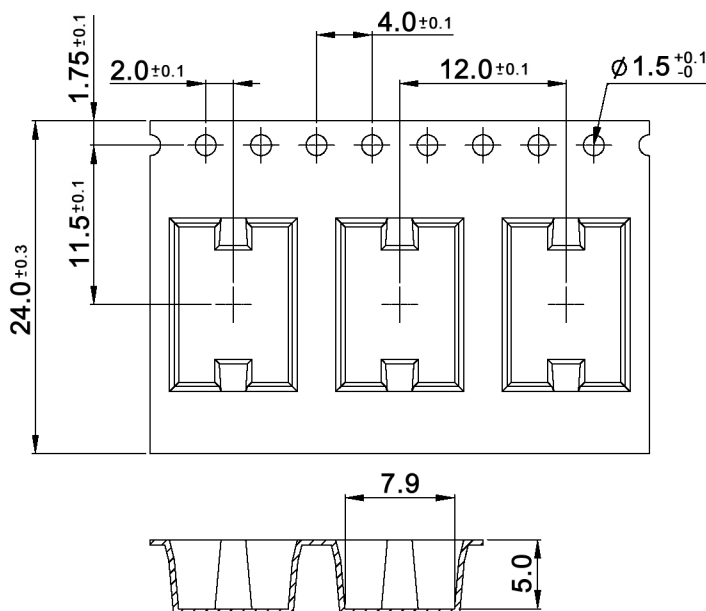
CIRCUIT DIAGRAM



P.C. MOUNTING



Packaging:



10 sprocket hole pitch cumulative tolerance +/-0.20  
 Carrier chamber is within 1mm in 250mm  
 Material: transparent polystyrene alloy  
 All dimensions meet EIA-481-C requirements  
 Component load per 330mm reel: 1100 pcs.



Tolerances: 0.1-1.0: ±0.05mm 1.0-5.0: ±0.1mm 5.0-10.0: ±0.2mm 10.0-20.0: ±0.3mm		Date	Name
		09/08	dr
Tolerances	01/13	dr	
Material	07/12	dr	
IP rating	04/12	dr	
Packaging	11/11	dr	
Base color	07/09	dr	
Operating temperature	06/09	dr	
Packaging	06/09	dr	
Operating force	05/09	dr	
Modifications	Date	Name	

TMPS 1(T)

**knitter-switch**

**30 15 94**

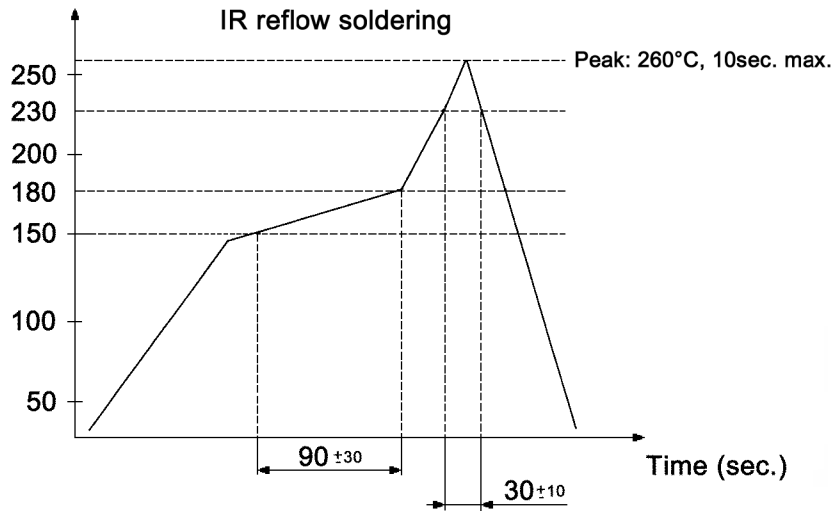
Page

1/2

**Specifications:**

**Contact rating:** 20mA, 24V DC; max. 0.5W  
**Contact resistance:** 100mOhm max.  
**Insulation resistance:** 1 000MOhm min. at 100V DC  
**Dielectric strength:** 250V, 50Hz for the duration of 1 minute  
**Operating temperature:** -40°C to +85°C  
**Mechanical life:** min. 1 000 000 cycles  
**Operating force:** 4.5 +/-1.0N  
**Travel:** 0.75 +/-0.25mm  
**Mounting:** on pc-board, SMT  
**IP rating:** IP67  
**Material:** Base: thermoplastic UL94V-0, black  
 Button: silicone, ivory  
 Contact disc: stainless steel, 0.025µm gold plated over nickel barrier  
 Terminal contact: brass, 0.025µm gold plated  
 Terminal: brass, tin plated

**Soldering conditions:**



Tolerances: 0.1-1.0: ±0.05mm 1.0-5.0: ±0.1mm 5.0-10.0: ±0.2mm 10.0-20.0: ±0.3mm	Date	Name	<b>TMPS 1(T)</b>		
	09/08	dr			
			<b>knitter-switch</b>	<b>30 15 94</b>	Page
					2/2
Modifications	Date	Name			

## X-ON Electronics

Largest Supplier of Electrical and Electronic Components

*Click to view similar products for [Switch Bezels / Switch Caps](#) category:*

*Click to view products by [Knitter-Switch](#) manufacturer:*

Other Similar products are found below :

[896809000](#) [LW1A-B2-R](#) [LW2A-B1-G](#) [704.604.4](#) [704.955.3](#) [F1403](#) [7527](#) [760203000](#) [760503000](#) [766601000](#) [785105000](#) [785106000](#)  
[79211759](#) [MH11](#) [MH13](#) [MHU31](#) [MJ1216](#) [MJ1226](#) [MJ33](#) [MJ612](#) [MJ626](#) [MJ627](#) [9001T8BK](#) [908-1634](#) [92-343.200](#) [92-343.400](#) [95804.920](#)  
[95CAP-011](#) [95CAP-112](#) [11-932.7](#) [99-901.9](#) [99-902.9](#) [99-909.4](#) [99-909.5](#) [99-920.8](#) [A0261A](#) [11-931.2](#) [11-932.5](#) [11-936](#) [11-937](#) [AKTSC22B](#)  
[AT496H](#) [AW-RF8](#) [161006](#) [1825068-6](#) [184-1872](#) [187-1872](#) [188-1471](#) [18-920.1](#) [1DFBLK](#)