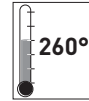


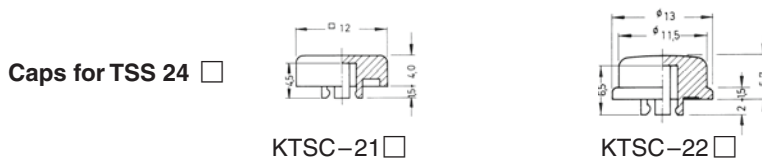
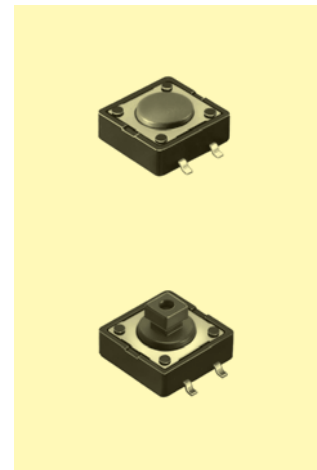
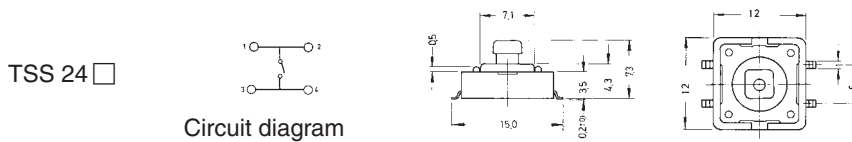
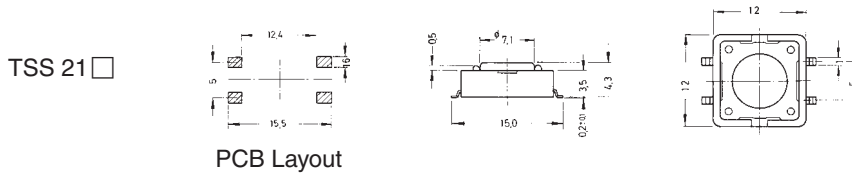
Tact Switches for SMT



Specifications:

Contact rating:	12 V DC, 50 mA
Contact resistance:	< 100 mΩ
Insulation resistance:	> 100 MΩ at 500 V DC
Dielectric strength:	250 V, 50 Hz for the duration of 1 minute
Operating temperature:	- 25° to + 70° C
Electrical life:	2,6 N: minimum 100 000 cycles 1,6 N: minimum 200 000 cycles
Operating force:	see ordering code
Contacts:	phosphor bronze, silver-plated
Terminals:	brass, silver-plated
Material:	cover: stainless steel base and stem: high-temp. nylon meets UL 94 V-0; caps ABS
Mounting:	on pc-board – SMD
Soldering conditions:	hand-soldering – max.: 30 W, 2 sec, 320° C
Packing:	on tapes – see ordering code
Travel:	0,35 mm + 0,2/- 0,1 mm

Models:



Ordering code:

Switches	TSS 2 □ □	Colour of stem for operating force:	Caps	KTSC-2 □ □	Cap colour:
Dimension / Packing:	□ 1 4,3 mm / 700 pcs/reel	□ 1,6 N, brown	Cap type:	□ 1 square	□ 1 yellow
	□ 4 7,3 mm / 500 pcs/reel	□ 2,6 N, red		□ 2 round	□ 2 blue
					□ 3 red
					□ 4 ivory
					□ 5 black
					□ 6 green



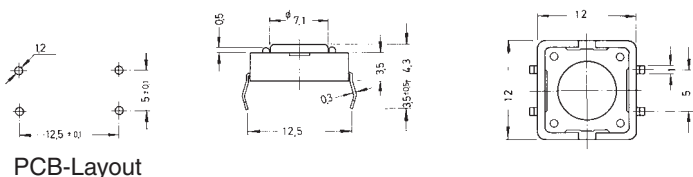
Tact Switches

Specifications:

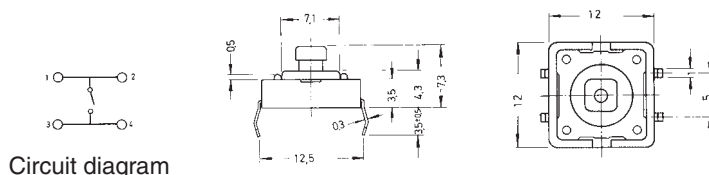
Contact rating:	12 V DC, 50 mA
Contact resistance:	< 100 mΩ
Insulation resistance:	> 100 MΩ at 500 V DC
Dielectric strength:	250 V, 50 Hz for the duration of 1 minute
Operating temperature:	- 25° to + 70° C
Electrical life:	2,6 N: minimum 100 000 cycles 1,6 N: minimum 200 000 cycles
Operating force:	see ordering code
Contacts:	phosphor bronze, silver-plated
Terminals:	PC terminals, brass, silver-plated
Material:	cover: stainless steel base and stem: nylon meets UL 94 V-0
Mounting:	on pc-board
Soldering conditions:	hand-soldering – max.: 30 W, 2 sec, 320° C auto-soldering – max.: 5 sec, 260° C subject to PCB 1,6 mm thickness
Travel:	0,35 mm + 0,2/- 0,1 mm

Models:

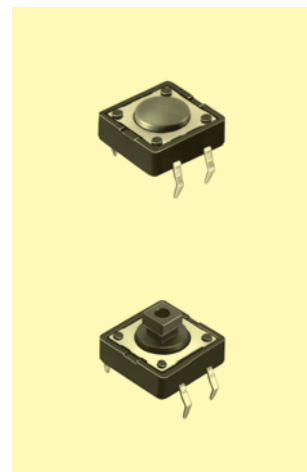
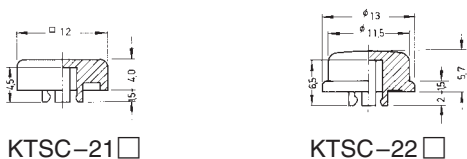
TS 21 □



TS 24 □



Caps for TS 24 □



Ordering code:

Switches TS 2 □ □

Dimension:
 1 4,3 mm
 4 7,3 mm

Colour of stem
for operating force:
 N 1,6 N, brown
 R 2,6 N, red

Caps KTSC-2 □ □

Cap type:
 1 square
 2 round

Cap colour:
 Y yellow
 B blue
 R red
 I ivory
 K black
 G green

Tact Switches for SMT, waterproof

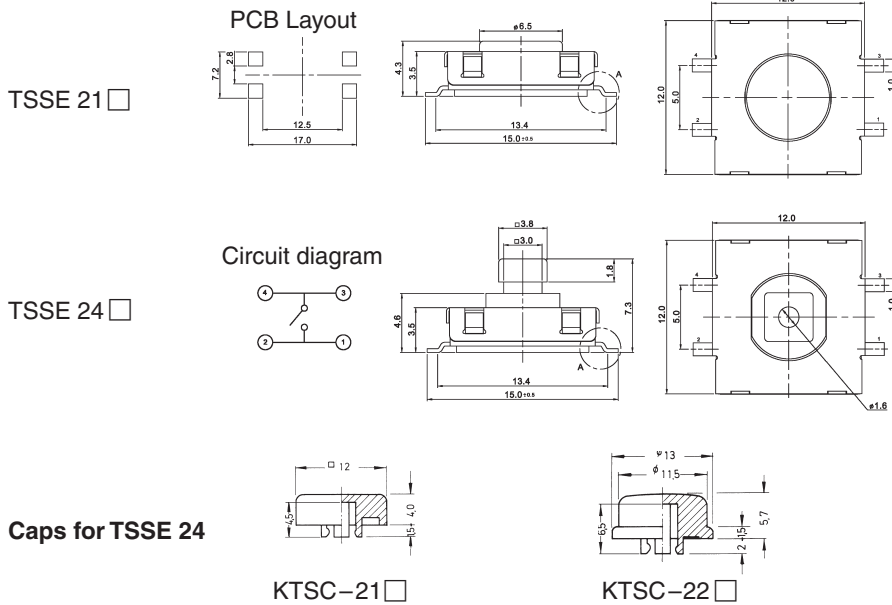


Specifications:

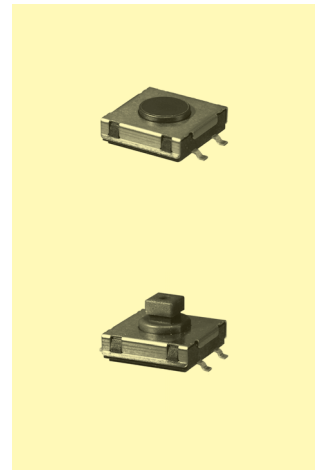
Contact rating:	50 V DC, 50 mA
Contact resistance:	<100 mΩ
Insulation resistance:	>1000 MΩ
Dielectric strength:	250 V, 50 Hz for the duration of 1 minute
Operating temperature:	-40 °C to +85 °C
Operating force:	N: 1.6 N ± 0.5 N R: 2.6 N ± 0.5 N
Mechanical life:	minimum 1 000 000 operations
Material:	Contacts: stainless steel, silver-plated Terminals: brass, silver plated Cover: stainless steel Base: LCP, UL 94 V-0, black, washable Stem: PA, UL 94 V-0
Protection:	IP 67
Mounting:	on pc-board – SMD

3

Models:



washable



Ordering code:

Switches **TSSE 2**

Dimension / Packing:
 4,3 mm / 700 pcs/reel
 7,3 mm / 500 pcs/reel

Colour of stem for operating force:
 1,6 N, brown
 2,6 N, red

Caps **KTSC-2**

Cap type:
 square
 round

Cap colour:
 yellow
 blue
 red
 ivory
 black
 green

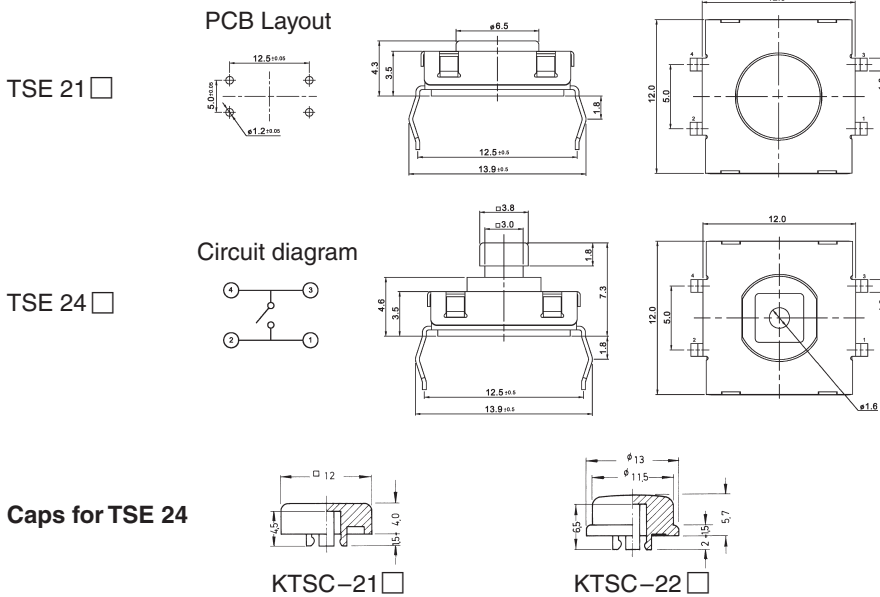


Tact Switches waterproof

Specifications:

Contact rating:	50 V DC, 50 mA
Contact resistance:	<100 mΩ
Insulation resistance:	>1000 MΩ
Dielectric strength:	250 V, 50 Hz for the duration of 1 minute
Operating temperature:	-40 °C to +85 °C
Operating force:	N: 1.6 N ± 0.5 N R: 2.6 N ± 0.5 N
Mechanical life:	minimum 1 000 000 operations
Material:	Contacts: stainless steel, silver-plated Terminals: brass, silver plated Cover: stainless steel Base: LCP, UL 94 V-0, black, washable Stem: PA, UL 94 V-0
Mounting:	on pc-board
Protection:	IP 67
Soldering conditions:	wave soldering, max. 5 s max. 260 °C, pre-heat max. 60 s max. 100 °C
Travel:	0.35 mm ± 0.15 mm

Models:



washable



Ordering code:

Switches TSE 2

Dimension:

4,3 mm

7,3 mm

Colour of stem for operating force:

1,6 N, brown

2,6 N, red

Caps KTSC-2

Cap type:

square

round

Cap colour:

yellow

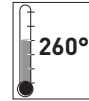
blue

red

ivory

black

green

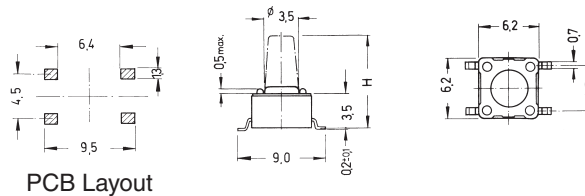


Specifications:

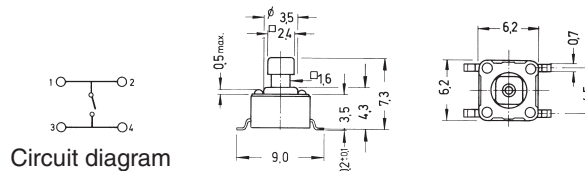
Contact rating:	12 V DC, 50 mA
Contact resistance:	< 100 mΩ
Insulation resistance:	> 100 MΩ at 500 V DC
Dielectric strength:	250 V, 50 Hz for the duration of 1 minute
Operating temperature:	- 40° to + 85° C
Electrical life:	1,0 N/1,6 N: minimum 200 000 cycles 2,6 N: minimum 100 000 cycles 3,2 N/5,2 N: minimum 50 000 cycles
Operating force:	see ordering code
Contacts:	phosphor bronze, silver-plated
Terminals:	brass, silver-plated
Material:	cover: stainless steel base and stem: nylon meets UL 94 V-0; caps ABS
Mounting:	on pc-board – SMD
Soldering conditions:	hand-soldering – max.: 30 W, 2 sec, 320° C
Travel:	0,25 mm + 0,2/- 0,1 mm

Models:

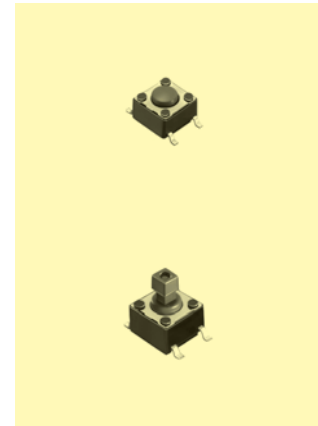
TSS 6



TSS 644



Caps for TSS 644



Ordering code:

Switches

TSS 6

Dimension H / Packing:

- 1 4,3 mm / 1000 pcs / reel
- 2 5,0 mm / 900 pcs / reel
- 3 7,0 mm / 700 pcs / reel
- 4 7,3 mm / 700 pcs / reel*
- 5 9,5 mm / 380 pcs / reel
- 6 13,0 mm / 77 pcs / tube
200 pcs / reel

Colour of stem for operating force:

- K 1,0 N, black
- N 1,6 N, brown
- R 2,6 N, red
- S 3,2 N, salmon
- Y 5,2 N, yellow

* only with square stem

Caps KTSC-6

Cap type:

- 1 square
- 2 round

Cap colour:

- Y yellow
- B blue
- R red
- I ivory
- K black
- G green



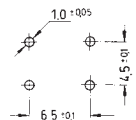
Tact Switches

Specifications:

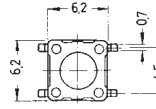
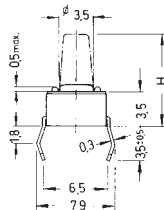
Contact rating:	12 V DC, 50 mA
Contact resistance:	< 100 mΩ
Insulation resistance:	> 100 MΩ at 500 V DC
Dielectric strength:	250 V, 50 Hz for the duration of 1 minute
Operating temperature:	- 40° to + 85° C
Electrical life:	1,0 N/1,6 N: minimum 200 000 cycles 2,6 N: minimum 100 000 cycles 3,2 N/5,2 N: minimum 50 000 cycles
Operating force:	see ordering code
Contacts:	phosphor bronze, silver-plated
Terminals:	PC terminals, brass, silver-plated
Material:	cover: stainless steel base and stem: nylon meets UL 94 V-0; caps ABS
Mounting:	on pc-board
Soldering conditions:	hand-soldering – max.: 30 W, 2 sec, 320° C auto-soldering – max.: 5 sec, 260° C subject to PCB 1,6 mm thickness
Travel:	0,25 mm + 0,2/- 0,1 mm

Models:

TS 6



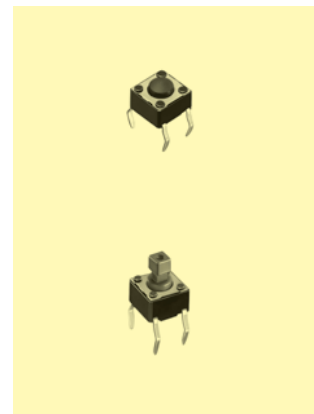
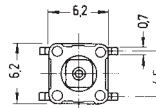
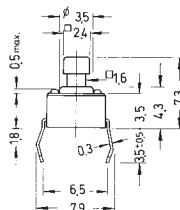
PCB Layout



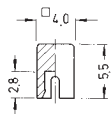
TS 644



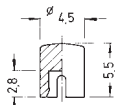
Circuit diagram



Caps for TS 644



KTSC-61



KTSC-62

Ordering code:

Switches TS 6

Dimension H

- 1 4,3 mm
- 2 5,0 mm
- 3 7,0 mm
- 4 7,3 mm*
- 5 9,5 mm
- 6 13,0 mm

Colour of stem for operating force:

- K 1,0 N, black
- N 1,6 N, brown
- R 2,6 N, red
- S 3,2 N, salmon
- Y 5,2 N, yellow

Caps KTSC-6

Cap type:

- 1 square
- 2 round

Cap colour:

- Y yellow
- B blue
- R red
- I ivory
- K black
- G green

* only with square stem

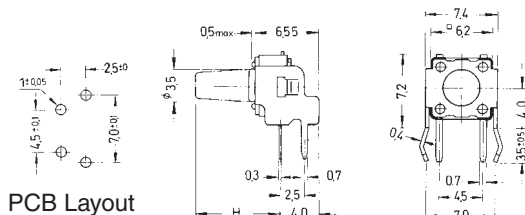
Tact Switches

Specifications:

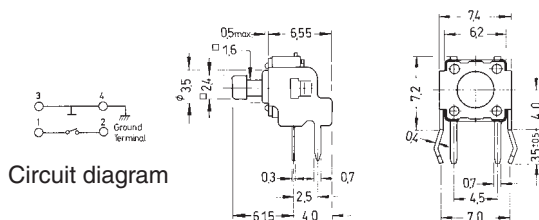
Contact rating:	12 V DC, 50 mA
Contact resistance:	< 100 mΩ
Insulation resistance:	> 100 MΩ at 500 V DC
Dielectric strength:	250 V, 50 Hz for the duration of 1 minute
Operating temperature:	- 40° to + 85° C
Electrical life:	1,0 N/1,6 N: minimum 200 000 cycles 2,6 N: minimum 100 000 cycles 3,2 N/5,2 N: minimum 50 000 cycles
Operating force:	see ordering code
Contacts:	phosphor bronze, silver-plated
Terminals:	PC terminals, brass, silver-plated
Material:	cover: steel, tin-plated base and stem: nylon meets UL 94 V-0; caps ABS
Mounting:	on pc-board
Soldering conditions:	hand-soldering – max.: 30 W, 2 sec, 320° C auto-soldering – max.: 5 sec, 260° C subject to PCB 1,6 mm thickness
Travel:	0,25 mm + 0,2/- 0,1 mm

Models:

TS 6□-RA



TS 644□-RA



Caps for TS 644 □-RA



Ordering code:

Switches TS 6□ □-RA

Dimension H

- 1 3,15 mm
- 2 3,85 mm
- 3 5,85 mm
- 4 6,15 mm*
- 5 8,35 mm
- 6 11,85 mm

Colour of stem
for operating force:

- K 1,0 N, black
- N 1,6 N, brown
- R 2,6 N, red
- S 3,2 N salmon
- Y 5,2 N, yellow

Caps KTSC-6□ □

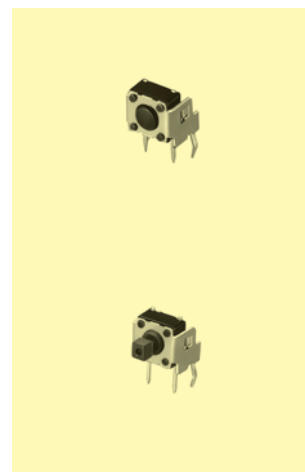
Cap type:

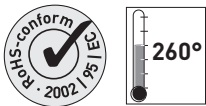
- 1 square
- 2 round

Cap colour:

- Y yellow
- B blue
- R red
- I ivory
- K black
- G green

* only with square stem





Specifications:

Contact rating:	24 V DC, 100 mA max.
Contact resistance:	< 100 mΩ
Insulation resistance:	> 100 MΩ at 500 V DC
Dielectric strength:	250 V AC, 50 Hz for the duration of 1 minute
Operating temperature:	- 55° to + 125° C
Electrical life:	minimum 100 000 cycles
Operating force:	3,0 ± 1,0 N
Contacts/terminals:	gold-plated/silver-plated
Material:	cover: stainless steel, base: high-temp. nylon meets UL 94 V-0, stem: silicone rubber
Mounting:	on pc-board – SMD
Soldering conditions:	max.: 5 sec, 260° C
Travel:	max. 1,27 mm

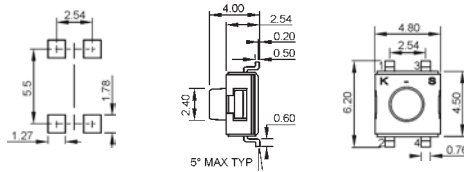
Models:

Switching functions:

washable

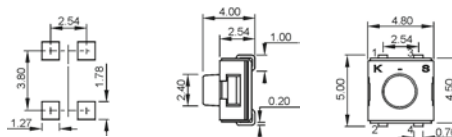
TMSE 10

off – mom



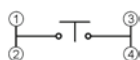
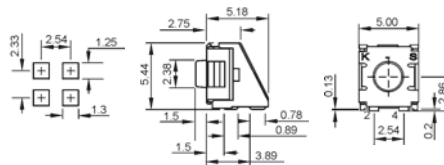
TMSE 10 J

off – mom



TMSE 10 J-RA

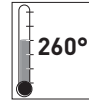
off – mom



Packing:

TMSE 10:	500 pcs/reel
TMSE 10 J:	500 pcs/reel
TMSE 10 J-RA:	200 pcs/reel

Tact Switches for SMT

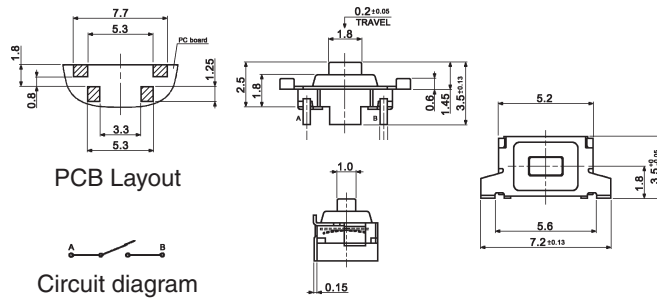


Specifications:

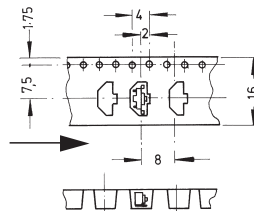
Contact rating:	12 V DC, 50 mA / 1 V DC, 0.5 mA
Contact resistance:	< 100 mΩ
Insulation resistance:	> 2 GΩ at 100 V DC
Dielectric strength:	250 V, 50 Hz for the duration of 1 minute
Operating temperature:	-40 °C to +85 °C
Electrical life:	minimum 250 000 cycles
Operating force:	2.16 N ± 0.59 N
Contacts:	metal contact, stainless steel, silver-plated
Terminals:	phosphor bronze, silver-plated
Material:	case: PA9T meets UL 94 V-0, brown button: PA9T meets UL 94 V-0, black frame: phosphor bronze, tin-plated
Mounting:	on pc-board – SMD
Travel:	0.2 mm ± 0,05 mm

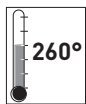
Model:

TSS 4-RA



Packing: 2000 pcs/reel





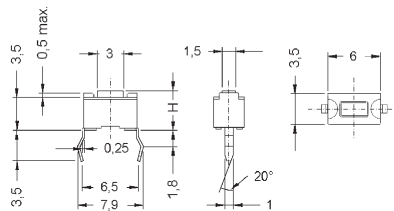
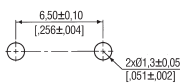
Tact Switches

Specifications:

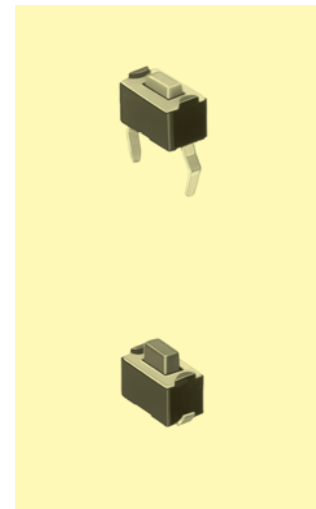
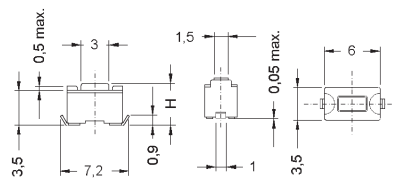
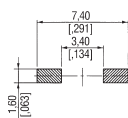
Contact rating:	12 V DC, 50 mA
Contact resistance:	< 100 mΩ
Insulation resistance:	> 100 MΩ at 500 V DC
Dielectric strength:	250 V, 50 Hz for the duration of 1 minute
Operating temperature:	- 25° to + 70° C
Electrical life:	1,6 N / 3,2 N: minimum 50 000 cycles 2,6 N / 5,2 N: minimum 30 000 cycles
Operating force:	see ordering code
Contacts:	stainless steel, silver-plated
Terminals:	brass, silver-plated
Material:	cover: stainless steel base and stem: high-temp. nylon meets UL 94 V-0 or PPA
Mounting:	TS 3: on PC-board TSS 3: on PC-board – SMD
Soldering conditions:	TS 3: hand-soldering – max.: 30 W, 2 sec, 320° C auto-soldering – max.: 5 sec, 260° C subject to PCB 1,6 mm thickness
TSS 3:	reflow-soldering, see page 5
Travel:	0,25 mm + 0,2/- 0,1 mm

Models:

TS 3



TSS 3



Ordering Code: TS 3 / TSS 3

Dimension H

1 4,3 mm

2 5,0 mm

Colour of stem for operating force:

N brown, 1,6 N

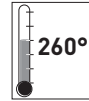
R red, 2,6 N

S salmon, 3,2 N

Y yellow, 5,2 N

Packing:	TS 3	in tubes, 135 pieces / tube
	TSS 31	on tape, 1800 pieces / reel
	TSS 32	on tape, 1600 pieces / reel

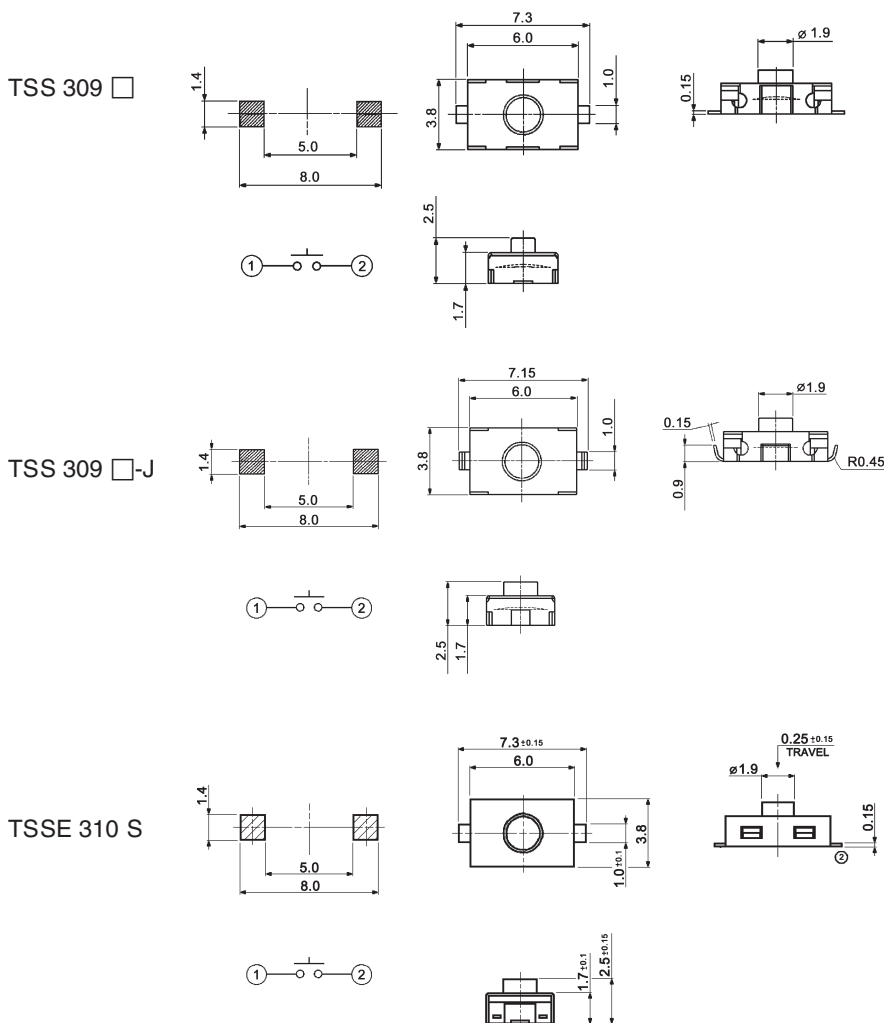
Tact Switches for SMT

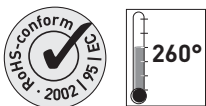


Specification:

Contact rating:	12 V DC, 50 mA
Contact resistance:	<500 mΩ
Insulation resistance:	>10 MΩ
Dielectric strength:	100V, 50Hz for the duration of 1 minute
Operating temperature:	-40°C to +85°C
Operating force:	N: 1.8N ± 0.5N S: 3.5N ± 0.9N
Mechanical life:	minimum 1 000 000 operations
Material:	Contacts: stainless steel, silver-plated Terminals: phosphor-bronze, silver plated Case: PA46, black Actuator: TSS 309: PA46, blue, TSSE 310: silicone rubber, black
Water proofing:	TSSE 310: IP 67
Mounting:	on pc-board
Packaging:	2500 pcs/reel

Models:





Tact Switches for SMT

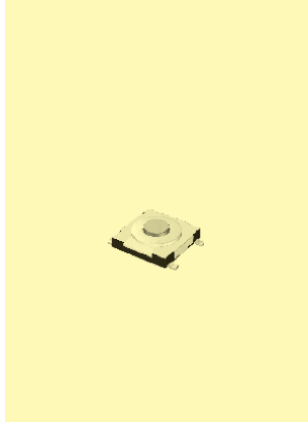
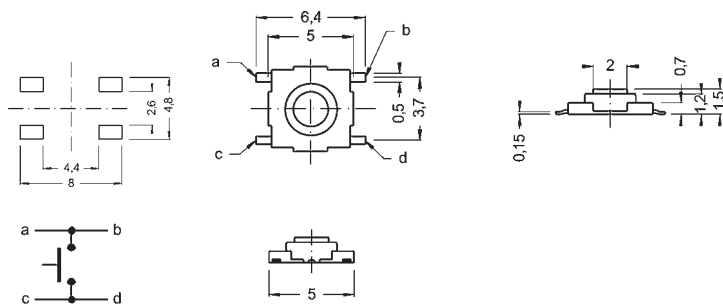
Specification:

Contact rating:	12 V DC, 50 mA
Contact resistance:	< 500 mΩ
Insulation resistance:	> 100 MΩ
Dielectric strength:	250 V, 50–60 Hz for the duration of 1 minute
Operating temperature:	– 10° to + 60° C
Operating force:	2,5 N ± 0,7 N
Mechanical life:	100 000 cycles
Contacts:	silver-plated
Mounting:	on pc-board – SMD
Travel:	0,25 mm ± 0,1 mm
Packing:	4000 pcs/reel

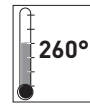
3

Model:

TSS 507



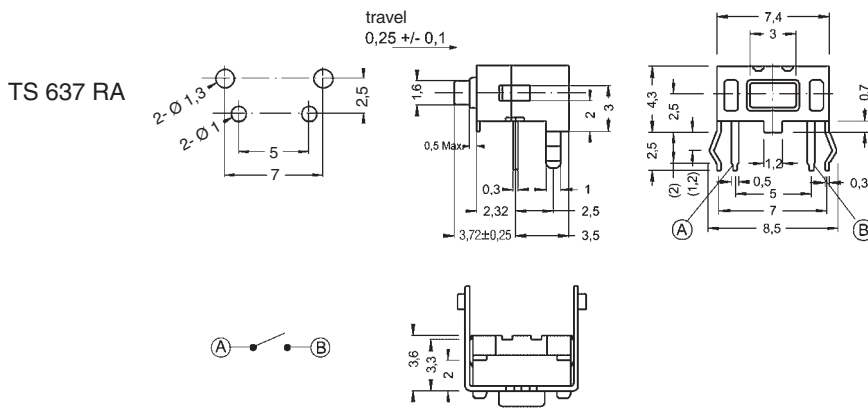
Tact Switches



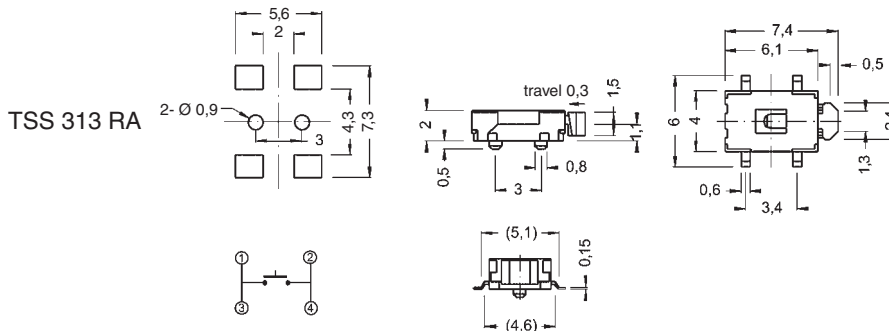
Specification:

Contact rating:	12 V DC, 50 mA
Contact resistance:	< 500 mΩ
Insulation resistance:	> 100 MΩ
Dielectric strength:	250 V, 50–60 Hz for the duration of 1 minute
Operating temperature:	– 20° to + 70° C
Mechanical life:	minimum 50 000 cycles
Contacts:	silver-plated
Mounting:	on pc-board, TSS 313 RA = on pc-board – SMD
Packing unit:	TS 637 RA: 500 pieces/bag TSS 313 RA: 2000 pieces/bag

Models:

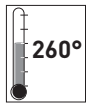


Operating force: 1,6 N ± 0,5 N



Operating force: 2,5 N ± 0,7 N





Long Travel Tact switch for SMT

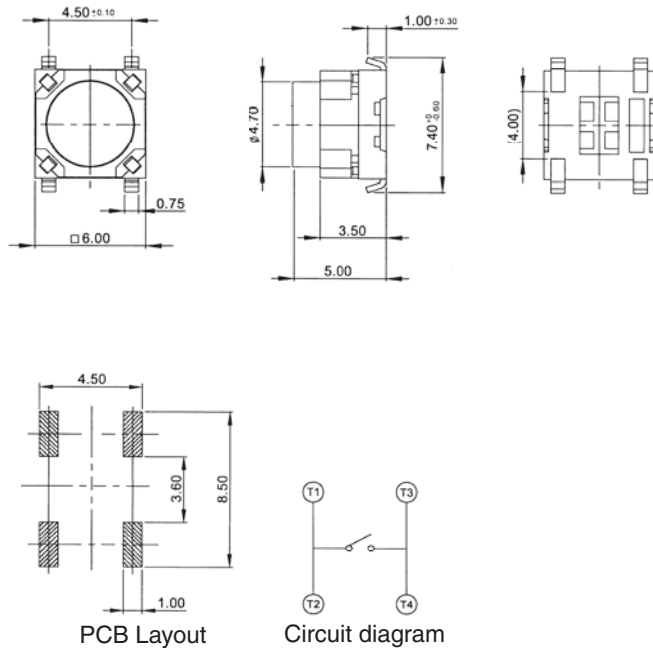
Specifications:

Contact rating:	12 V DC, 50 mA,
Contact resistance:	< 100 mΩ
Insulation resistance:	> 100 MΩ
Dielectric strength:	300 V, 50 Hz for the duration of 1 minute
Operating temperature:	- 40° to + 85° C
Mechanical life:	minimum 100 000 cycles
Operating force:	R: 200 gf ± 50 gf S: 350 gf ± 100 gf
Contacts:	gold-plated
Terminals:	silver-plated
Travel:	1,3 mm + 0,1/- 0,3 mm
Material:	case and actuator: Nylon meets UL 94V-0
Mounting:	on pc-board – SMD
Travel:	1,3 mm + 0,1/- 0,3 mm
Packing:	900 pieces/reel

3

Models:

TSS 650 □-J



Ordering code: TSS 650 □-J

Operating force: R 2,0 N
 S 3,5 N

X-ON Electronics

Largest Supplier of Electrical and Electronic Components

Click to view similar products for [Tactile Switches](#) category:

Click to view products by [Knitter-Switch](#) manufacturer:

Other Similar products are found below :

[KMR633NG LFG](#) [5GTH92001](#) [5GTH9202242](#) [6426-201-11343](#) [MJ1226](#) [MJTP1109B](#) [MJTP1138EAUTR](#) [MJTP1230BL](#) [MJTPSHW](#)
[GS6.90F300QP](#) [1-1977223-0](#) [1-1977120-4](#) [ADTSA62NV](#) [ADTSA62RV](#) [ADTSA63KV](#) [ADTSA644NV](#) [ADTSM24NVTR](#) [ADTSMW66NV](#)
[ADTSMW67RV](#) [ATM533VTR](#) [1571300-3](#) [B3F-3123](#) [B3F-6055A](#) [B3F-B32-01-KIT](#) [1977177-8](#) [1977266-1](#) [2-1977223-4](#) [2-1977223-7](#)
[ADTS644KV](#) [ADTSA61RV](#) [ADTSA62KV](#) [ADTSA63NV](#) [ADTSA63RV](#) [ADTSA65NV](#) [ADTSM21NSVTR](#) [ADTSM25RVTR](#)
[ADTSM31RVTR](#) [ADTSM32NVTR](#) [ADTSM61YVTR](#) [ADTSM63SVTR](#) [ADTSM644KVTR](#) [ADTSMW64RV](#) [ADTSMW69NV](#)
[FSMRA4JHA04](#) [GS4.70F300QP](#) [D38999/20JJ37SA](#) [TL1105B](#) [TL1105J](#) [ATH447K2Q](#) [ATM534VTR](#)