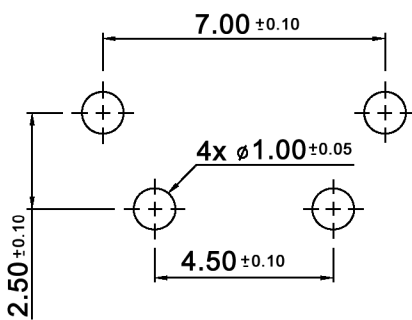
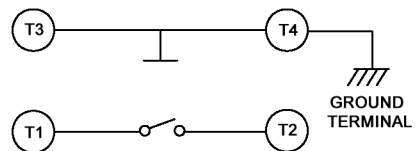


| x  | Length (mm) |
|----|-------------|
| 1  | 3.15        |
| 2  | 3.85        |
| 3  | 5.85        |
| 44 | 6.15        |
| 48 | 6.15        |
| 5  | 8.35        |
| 6  | 11.85       |

P.C.B. LAYOUT



CIRCUIT DIAGRAM



Compliance: RohS III (2015/863/EU)

| Tolerances: ±0.20mm max. |       | Date | Name |
|--------------------------|-------|------|------|
| Contact rating           | 04/20 | dr   |      |
| Contact rating           | 10/17 | dr   |      |
| Operating force          | 09/17 | dr   |      |
| Rename                   | 03/16 | dr   |      |
| Rename                   | 09/15 | dr   |      |
| Revised                  | 12/10 | dr   |      |
| Modifications            | Date  | Name |      |

**TS 6x y-RA**

**30 20 80**

Page

1/2

**Specifications:**

**Contact rating:** 50mA, 12V DC; min. 10µA, 1V DC  
**Contact resistance:** 100mOhm max.  
**Insulation resistance:** 100MOhm min. at 500V DC for 1 minute +/-5sec.  
**Dielectric strength:** 250V AC (50/60Hz) for 1 minute  
**Operating temperature:** -40°C to +85°C  
**Storage temperature:** -40°C to +85°C  
**Soldering conditions:** 260 +/-3°C, 5 +/-1sec.; pre-heat max. 100°C, max. 60sec.  
**Travel:** 0.25 +0.2/-0.1 mm  
**Material:** Cover: steel, 2.5µm min. tin plated  
 Stem: thermoplastic nylon UL94V-0  
 Contact: phosphor bronze, silver cladding  
 Terminal: brass, silver plated  
 Base: thermoplastic nylon UL94V-0, molded black

| y | Operating force (gf) | Colour of stem | Electrical life |
|---|----------------------|----------------|-----------------|
| U | 70 +/-30             | blue           | 200 000 cycles  |
| K | 100 +/-50            | black          | 200 000 cycles  |
| N | 160 +/-50            | brown          | 200 000 cycles  |
| R | 260 +/-50            | red            | 100 000 cycles  |
| S | 320 +/-80            | salmon         | 50 000 cycles   |
| Y | 520 +/-130           | yellow         | 50 000 cycles   |

Compliance: RohS III (2015/863/EU)

|                          |       |      |                       |      |                   |
|--------------------------|-------|------|-----------------------|------|-------------------|
| Tolerances: ±0.20mm max. |       |      | Date                  | Name | <b>TS 6x y-RA</b> |
|                          |       |      | 04/10                 | dr   |                   |
| Contact rating           | 04/20 | dr   |                       |      |                   |
| Contact rating           | 10/17 | dr   |                       |      |                   |
| Operating force          | 09/17 | dr   |                       |      |                   |
| Rename                   | 03/16 | dr   | <b>knitter-switch</b> |      | <b>30 20 80</b>   |
| Rename                   | 09/15 | dr   |                       |      |                   |
| Revised                  | 12/10 | dr   |                       |      |                   |
| Modifications            | Date  | Name |                       |      | Page<br>2/2       |

## X-ON Electronics

Largest Supplier of Electrical and Electronic Components

*Click to view similar products for [Switch Bezels / Switch Caps](#) category:*

*Click to view products by [Knitter-Switch](#) manufacturer:*

Other Similar products are found below :

[896809000](#) [LW1A-B2-R](#) [LW2A-B1-G](#) [704.604.4](#) [704.955.3](#) [F1403](#) [7527](#) [760203000](#) [760503000](#) [766601000](#) [785105000](#) [785106000](#)  
[79211759](#) [MG12KB](#) [MH11](#) [MH13](#) [MHU31](#) [MJ1216](#) [MJ1226](#) [MJ33](#) [MJ612](#) [MJ626](#) [MJ627](#) [9001T8BK](#) [908-1634](#) [92-343.200](#) [92-343.400](#)  
[95804.920](#) [95CAP-011](#) [95CAP-112](#) [11-932.7](#) [99-901.9](#) [99-902.9](#) [99-909.4](#) [99-909.5](#) [99-920.8](#) [A0261A](#) [11-931.2](#) [11-932.5](#) [11-936](#) [11-937](#)  
[AKTSC22B](#) [AT496H](#) [AW-RF8](#) [161006](#) [1825068-6](#) [184-1872](#) [187-1872](#) [188-1471](#) [18-920.1](#)