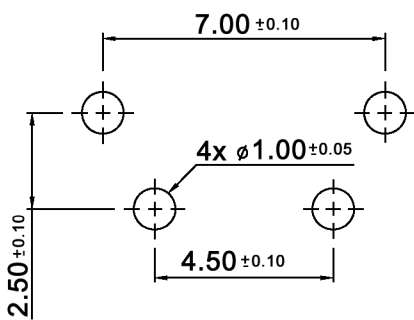
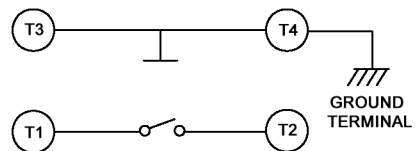


x	Length (mm)
1	3.15
2	3.85
3	5.85
44	6.15
48	6.15
5	8.35
6	11.85

P.C.B. LAYOUT



CIRCUIT DIAGRAM



Compliance: RohS III (2015/863/EU)

Tolerances: ±0.20mm max.		Date	Name
Contact rating	04/20	dr	
Contact rating	10/17	dr	
Operating force	09/17	dr	
Rename	03/16	dr	
Rename	09/15	dr	
Revised	12/10	dr	
Modifications	Date	Name	

TS 6x y-RA

30 20 80

knitter-switch

Page

1/2

Specifications:

Contact rating: 50mA, 12V DC; min. 10µA, 1V DC
Contact resistance: 100mOhm max.
Insulation resistance: 100MOhm min. at 500V DC for 1 minute +/-5sec.
Dielectric strength: 250V AC (50/60Hz) for 1 minute
Operating temperature: -40°C to +85°C
Storage temperature: -40°C to +85°C
Soldering conditions: 260 +/-3°C, 5 +/-1sec.; pre-heat max. 100°C, max. 60sec.
Travel: 0.25 +0.2/-0.1 mm
Material: Cover: steel, 2.5µm min. tin plated
 Stem: thermoplastic nylon UL94V-0
 Contact: phosphor bronze, silver cladding
 Terminal: brass, silver plated
 Base: thermoplastic nylon UL94V-0, molded black

y	Operating force (gf)	Colour of stem	Electrical life
U	70 +/-30	blue	200 000 cycles
K	100 +/-50	black	200 000 cycles
N	160 +/-50	brown	200 000 cycles
R	260 +/-50	red	100 000 cycles
S	320 +/-80	salmon	50 000 cycles
Y	520 +/-130	yellow	50 000 cycles

Compliance: RohS III (2015/863/EU)

Tolerances: ±0.20mm max.			Date	Name	TS 6x y-RA
			04/10	dr	
Contact rating	04/20	dr			
Contact rating	10/17	dr			
Operating force	09/17	dr			
Rename	03/16	dr	knitter-switch		30 20 80
Rename	09/15	dr			
Revised	12/10	dr			
Modifications	Date	Name			Page 2/2

X-ON Electronics

Largest Supplier of Electrical and Electronic Components

Click to view similar products for [Switch Bezels / Switch Caps](#) category:

Click to view products by [Knitter-Switch](#) manufacturer:

Other Similar products are found below :

[896809000](#) [LW1A-B2-R](#) [LW2A-B1-G](#) [704.604.4](#) [704.955.3](#) [F1403](#) [7527](#) [760203000](#) [760503000](#) [766601000](#) [785105000](#) [785106000](#)
[79211759](#) [MH11](#) [MH13](#) [MHU31](#) [MJ1216](#) [MJ1226](#) [MJ33](#) [MJ612](#) [MJ626](#) [MJ627](#) [9001T8BK](#) [908-1634](#) [92-343.200](#) [92-343.400](#) [95804.920](#)
[95CAP-011](#) [95CAP-112](#) [11-932.7](#) [99-901.9](#) [99-902.9](#) [99-909.4](#) [99-909.5](#) [99-920.8](#) [A0261A](#) [11-931.2](#) [11-932.5](#) [11-936](#) [11-937](#) [AKTSC22B](#)
[AT496H](#) [AW-RF8](#) [161006](#) [1825068-6](#) [184-1872](#) [187-1872](#) [188-1471](#) [18-920.1](#) [1DFBLK](#)