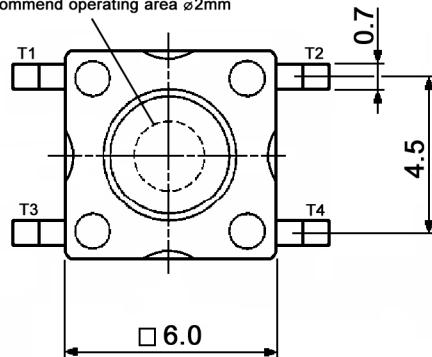


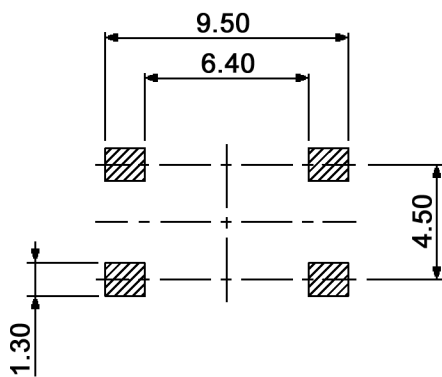
4x A common tolerances zone

/ ±0.1

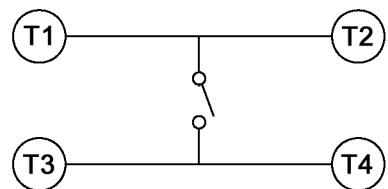
Recommend operating area $\varnothing 2\text{mm}$



P.C.B. LAYOUT



CIRCUIT DIAGRAM



Compliance: RohS II (2011/65/EU)

Tolerances: up to 10: ±0.2mm above 10-50: ±0.3mm			Date	Name
			12/05	dr
Rename	12/15	dr		
Rename	05/15	dr		
Rivet height	10/09	dr		
Actuator	12/07	dr		
Material	12/07	dr		
Packaging	03/07	dr		
Soldering conditions	08/06	rmg		
Part number	04/06	dr		
Modifications	Date	Name		

TSS 61 x

knitter-switch

30 07 40

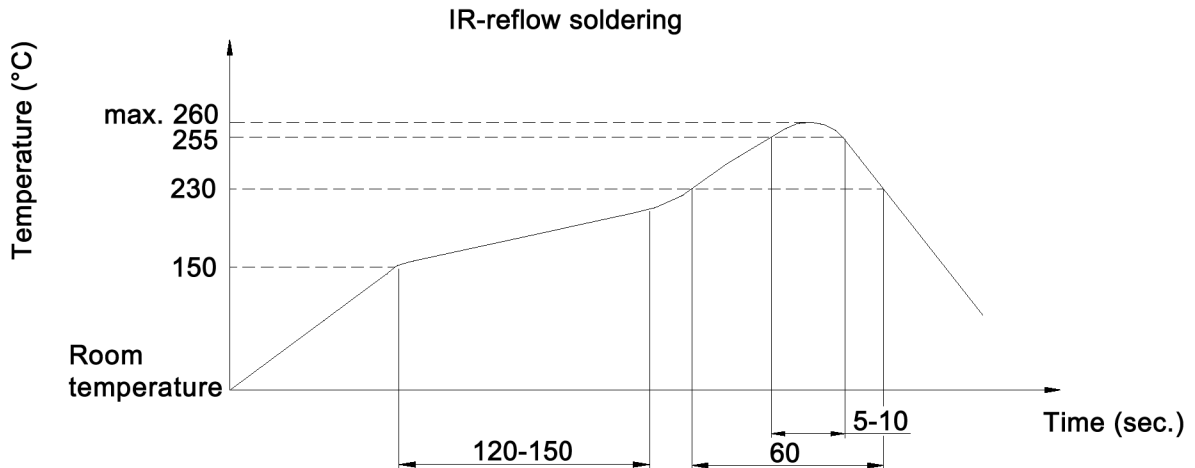
Page

1/3

Specifications:

Contact rating: 50mA, 12V DC
Contact resistance: 100mOhm max.
Insulation resistance: 100MOhm min. at 100V DC for 1 minute
Dielectric strength: 250V AC (50/60Hz) for 1 minute
Operating temperature: -40°C to +85°C
Storage temperature: -40°C to +85°C
Material: Stem: high-temp. thermoplastic UL94V-0
 Base: high-temp. thermoplastic UL94V-0, black
 Contact: phosphor bronze, silver plated
 Terminals: brass, silver plated
 Cover: stainless steel

Soldering conditions:



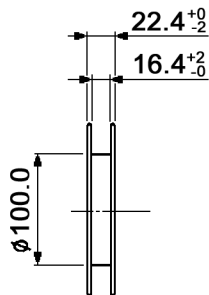
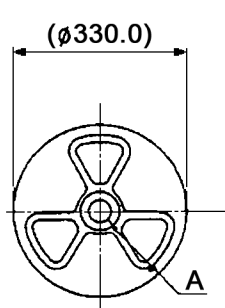
x	Operating force	Mechanical life	Stem color
K	100 +/-30 gf	150 000 cycles	black
N	160 +/-50 gf	150 000 cycles	brown
R	250 +/-70 gf	150 000 cycles	red
S	320 +/-70 gf	100 000 cycles	salmon
Y	520 +/-130 gf	50 000 cycles	yellow

Compliance: RohS II (2011/65/EU)

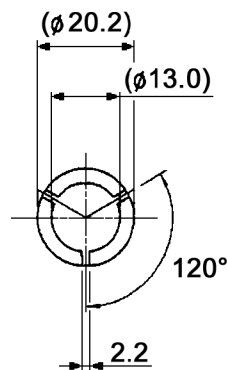
Tolerances: up to 10: ±0.2mm above 10-50: ±0.3mm		Date	Name	<h1>TSS 61 x</h1>
		12/05	dr	
			knitter-switch	<h1>30 07 40</h1>
Modifications		Date	Name	Page 2/3

Packaging:

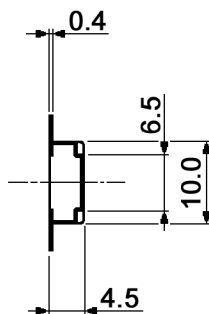
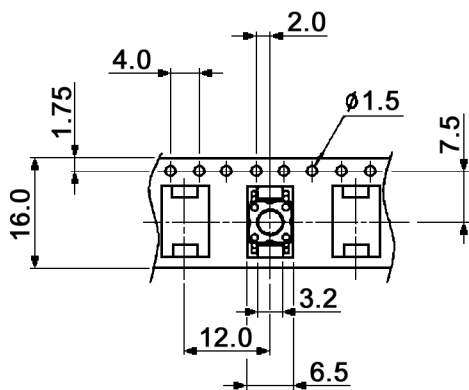
REEL



DETAIL "A"



CARRIER TAPE



COVER TAPE



Packaging unit: 1 000 pcs. / reel
 Compliance: RohS II (2011/65/EU)

Tolerances: up to 10: ±0.2mm above 10-50: ±0.3mm	Date	Name
	12/05	dr
Modifications	Date	Name

TSS 61 x

30 07 40

Page

3/3

knitter-switch

X-ON Electronics

Largest Supplier of Electrical and Electronic Components

Click to view similar products for [Switch Bezels / Switch Caps](#) category:

Click to view products by [Knitter-Switch](#) manufacturer:

Other Similar products are found below :

[896809000](#) [LW1A-B2-R](#) [LW2A-B1-G](#) [704.604.4](#) [704.955.3](#) [F1403](#) [7527](#) [760203000](#) [760503000](#) [766601000](#) [785105000](#) [785106000](#)
[79211759](#) [MG12KB](#) [MH11](#) [MH13](#) [MHU31](#) [MJ1216](#) [MJ1226](#) [MJ33](#) [MJ612](#) [MJ626](#) [MJ627](#) [9001T8BK](#) [908-1634](#) [92-343.200](#) [92-343.400](#)
[95804.920](#) [95CAP-011](#) [95CAP-112](#) [11-932.7](#) [99-901.9](#) [99-902.9](#) [99-909.4](#) [99-909.5](#) [99-920.8](#) [A0261A](#) [11-931.2](#) [11-932.5](#) [11-936](#) [11-937](#)
[AKTSC22B](#) [AT496H](#) [AW-RF8](#) [161006](#) [1825068-6](#) [184-1872](#) [187-1872](#) [188-1471](#) [18-920.1](#)