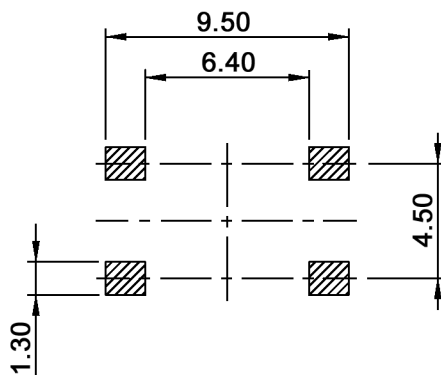
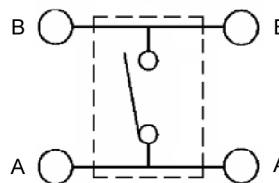


P.C.B. LAYOUT



CIRCUIT DIAGRAM



Compliance: RohS II (2011/65/EU)

| | | |
|---|-------|------|
| Tolerances: up to 10: $\pm 0.2\text{mm}$ above 10-50: $\pm 0.3\text{mm}$ | Date | Name |
| | 05/15 | dr |
| | | |
| | | |
| | | |
| | | |
| Rename | 06/15 | dr |
| Modifications | Date | Name |

TSS 63 x

30 33 26

knitter-switch

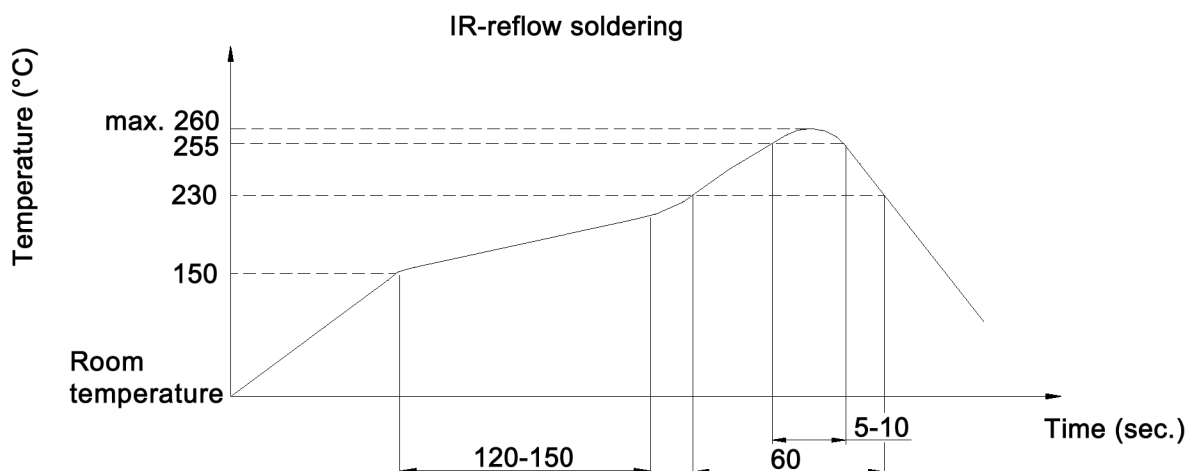
Page

1/3

Specifications:

Contact rating: 50mA, 12V DC
Contact resistance: 100mOhm max.
Insulation resistance: 100MOhm min. at 500V DC for 1 minute
Dielectric strength: 250V AC (50Hz or 60Hz) for 1 minute
Operating temperature: -40°C to +85°C
Storage temperature: -40°C to +85°C
Material: Stem: high-temp. thermoplastic UL94V-0
 Base: high-temp. thermoplastic UL94V-0
 Contact: phosphor bronze, silver plated
 Terminals: brass, silver plated
 Cover: stainless steel

Soldering conditions:

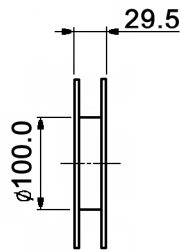
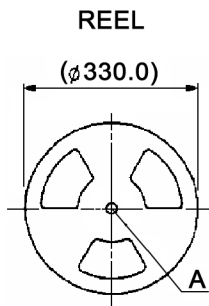


| x | Operating force | Mechanical life | Stem color |
|---|-----------------|-----------------|------------|
| K | 100 +/-30 gf | 150 000 cycles | black |
| N | 160 +/-50 gf | 150 000 cycles | brown |
| R | 250 +/-70 gf | 150 000 cycles | red |
| S | 320 +/-70 gf | 100 000 cycles | salmon |
| Y | 520 +/-130 gf | 50 000 cycles | yellow |

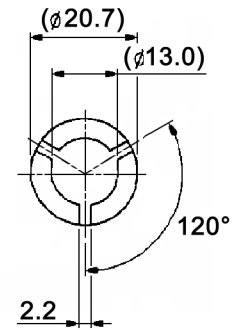
Compliance: RohS II (2011/65/EU)

| | | | | |
|---|--|-------|-----------------------|-----------------|
| Tolerances: up to 10: ±0.2mm above 10-50: ±0.3mm | | Date | Name | TSS 63 x |
| | | 05/15 | dr | |
| | | | | |
| | | | | |
| | | | knitter-switch | 30 33 26 |
| Modifications | | | Date | Name |
| | | | | |
| | | | | Page 2/3 |

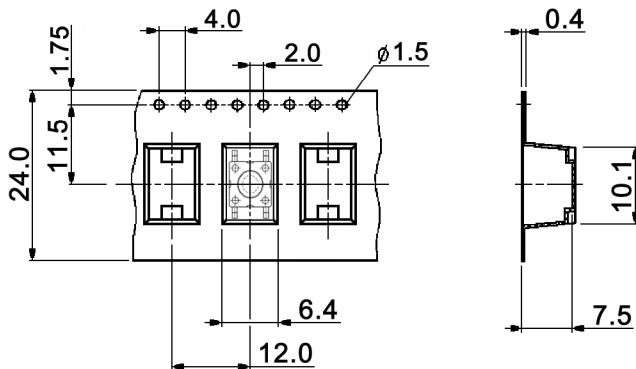
Packaging:



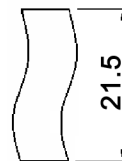
"A" DETAIL



CARRIER TAPE



COVER TAPE



Packaging unit: 700 pcs. / reel
Compliance: RohS II (2011/65/EU)

| Tolerances: up to 10: $\pm 0.2\text{mm}$ above 10-50: $\pm 0.3\text{mm}$ | | Date | Name |
|---|------|-------|------|
| | | 05/15 | dr |
| | | | |
| | | | |
| | | | |
| | | | |
| Modifications | Date | Name | |

TSS 63 x

30 33 26

Page

3/3

knitter-switch

X-ON Electronics

Largest Supplier of Electrical and Electronic Components

Click to view similar products for [Switch Bezels / Switch Caps](#) category:

Click to view products by [Knitter-Switch](#) manufacturer:

Other Similar products are found below :

[896809000](#) [LW1A-B2-R](#) [LW2A-B1-G](#) [704.604.4](#) [704.955.3](#) [F1403](#) [7527](#) [760203000](#) [760503000](#) [766601000](#) [785105000](#) [785106000](#)
[79211759](#) [MH11](#) [MH13](#) [MHU31](#) [MJ1216](#) [MJ1226](#) [MJ33](#) [MJ612](#) [MJ626](#) [MJ627](#) [9001T8BK](#) [908-1634](#) [92-343.200](#) [92-343.400](#) [95804.920](#)
[95CAP-011](#) [95CAP-112](#) [11-932.7](#) [99-901.9](#) [99-909.4](#) [99-909.5](#) [99-920.8](#) [A0261A](#) [11-931.2](#) [11-932.5](#) [11-936](#) [11-937](#) [AKTSC22B](#) [AT496H](#)
[AW-RF8](#) [161006](#) [1825068-6](#) [184-1872](#) [187-1872](#) [188-1471](#) [18-920.1](#) [C1103](#) [1DFBLK](#)