

NOTES:

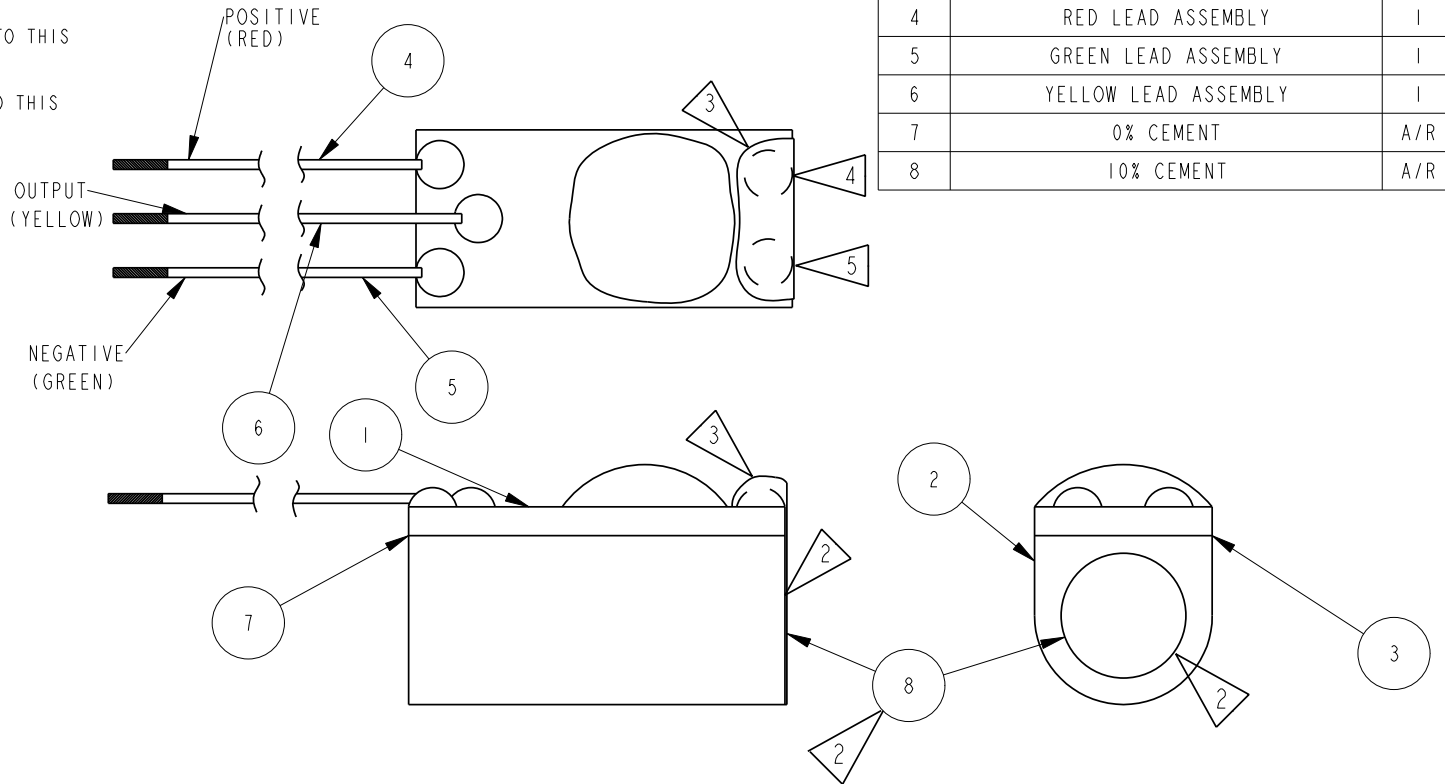
1. SOLDER MATERIALS SHALL NOT CONTAIN LEAD. MUST BE ROHS COMPLIANT.

2. COMPLETELY SEAL OPENING IN END OF SLEEVE AND AROUND END OF COIL WITH ITEM 8.

3. COMPLETELY COVER TELECOIL WIRES WITH ITEM 8.

4. TELECOIL "FINISH" WIRE CONNECTED TO THIS PAD ON HYBRID CIRCUIT.

5. TELECOIL "START" WIRE CONNECTED TO THIS PAD ON HYBRID CIRCUIT.



BILL OF MATERIAL		
ITEM	DESCRIPTION	QTY
1	CIRCUIT ASSEMBLY	1
2	TELECOIL COIL & SLEEVE ASSEMBLY	1
3	8% CEMENT	A/R
4	RED LEAD ASSEMBLY	1
5	GREEN LEAD ASSEMBLY	1
6	YELLOW LEAD ASSEMBLY	1
7	0% CEMENT	A/R
8	10% CEMENT	A/R

				SCALE: 10:1		MATERIAL:			
				FUNDAMENTAL TOLERANCE: ± 0.03 [0.001]	HEAT TREATMENT:				
				ANGLE TOLERANCE: ± 1°	FINISH:				
				MISMATCH TOLERANCE: ± 0.03 [0.001]	TITLE:				
		DATE	NAME		<p style="text-align: center;">ACTIVE TELECOIL ASSEMBLY</p>				
A	C10103847	01/26/06	BCS	DESIGNED				01/26/06	BCS
REV.	CHANGE #	DATE	NAME	CHECKED				01/26/06	BCS
				RELEASED				01/26/06	B CS

PROPRIETARY NOTE: THIS DOCUMENT CONTAINS INFORMATION WHICH IS THE PROPRIETARY PROPERTY OF KNOWLES ELECTRONICS, LLC. OR ITS AFFILIATED ENTITIES. IT IS ISSUED IN STRICT CONFIDENCE AND SHALL NOT BE REPRODUCED, COPIED, USED, OR DISCLOSED TO ANY THIRD PARTY PARTIALLY OR WHOLLY IN ANY MANNER WITHOUT PRIOR WRITTEN PERMISSION OF, AND MUST BE RETURNED UPON REQUEST BY, KNOWLES ELECTRONICS, LLC.



RELEASED LEVEL: Active	REVISION: A
DRAWING NUMBER: 5300-253069	SHEETS: 1 of 1

X-ON Electronics

Largest Supplier of Electrical and Electronic Components

Click to view similar products for [Fixed Inductors](#) category:

Click to view products by [Knowles](#) manufacturer:

Other Similar products are found below :

[CR32NP-100KC](#) [CR43NP-680KC](#) [CR54NP-820KC](#) [CR54NP-8R5MC](#) [CTX32CT-100](#) [70F224AI](#) [MGDQ4-00004-P](#) [MHL1ECTTP18NJ](#)
[MHL1JCTTD12NJ](#) [PE-51506NL](#) [PE-53601NL](#) [PE-53602NL](#) [PE-53630NL](#) [PE-53824SNLT](#) [PE-62892NL](#) [PE-92100NL](#) [PG0434.801NLT](#)
[PG0936.113NLT](#) [9310-16](#) [PM06-2N7](#) [PM06-39NJ](#) [A01TK](#) [1206CS-471XJ](#) [HC2-2R2TR](#) [HC2LP-R47-R](#) [HC3-2R2-R](#) [HCF1305-3R3-R](#)
[1206CS-151XG](#) [RCH664NP-140L](#) [RCH664NP-4R7M](#) [RCH8011NP-221L](#) [RCP1317NP-332L](#) [RCP1317NP-391L](#) [RCR1010NP-470M](#)
[RCR110DNP-331L](#) [DH2280-4R7M](#) [DS1608C-106](#) [ASPI-4020HI-R10M-T](#) [B10TJ](#) [B82477P4333M](#) [B82498B3101J000](#) [B82498B3680J000](#)
[ELJ-RE27NJF2](#) [1812CS-153XJ](#) [1812CS-183XJ](#) [1812CS-223XJ](#) [1812LS-104XJ](#) [1812LS-105XJ](#) [1812LS-124XJ](#) [1812LS-154XJ](#)