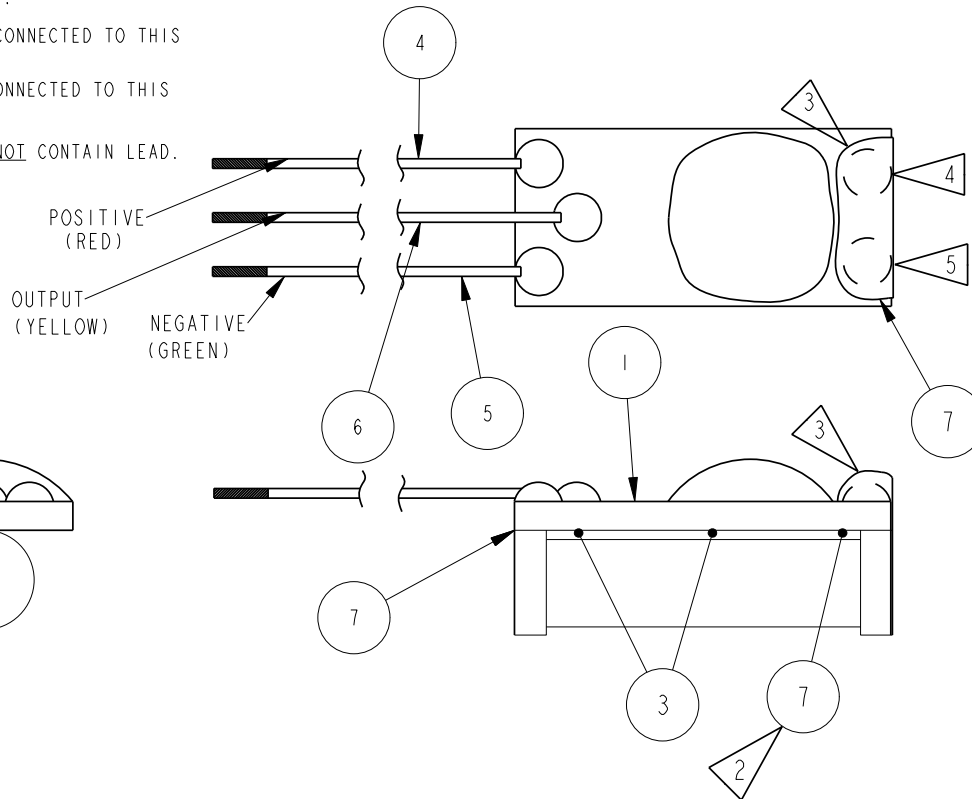


NOTES:

- 1) ASSEMBLY DIPPED AT LEAST 2 TIMES TO PROVIDE A UNIFORM LAYER OF PROTECTION ON COIL WIRES AND CIRCUIT BOARD.
- 2) APPLY ITEM 7 ON THE BOTTOM OF "START WIRE".
- 3) COMPLETELY COVER "START AND FINISH WIRES WITH ITEM 7.
- 4) TELECOIL "FINISH" WIRE CONNECTED TO THIS PAD ON HYBRID CIRCUIT.
- 5) TELECOIL "START" WIRE CONNECTED TO THIS PAD ON HYBRID CIRCUIT.
- 6) SOLDER MATERIALS SHALL NOT CONTAIN LEAD. MUST BE ROHS COMPLIANT.



BILL OF MATERIAL

ITEM	DESCRIPTION	QTY
1	CIRCUIT ASSEMBLY	1
2	TELECOIL	1
3	8% CEMENT	A/R
4	RED LEAD ASSEMBLY	1
5	GREEN LEAD ASSEMBLY	1
6	YELLOW LEAD ASSEMBLY	1
7	10% CEMENT	A/R

				SCALE:	N.T.S.			MATERIAL:	
				FUNDAMENTAL TOLERANCE:	± 0.03			HEAT TREATMENT:	
					(0.001)				
				ANGLE TOLERANCE:	± 1°			FINISH:	
				MISMATCH TOLERANCE:	± 0.03				
					(0.001)			TITLE:	
				DATE	NAME			<p>SLEEVELESS ACTIVE TELECOIL ASSEMBLY</p>	
				DESIGNED	01/26/06	BCS			
				CHECKED	01/26/06	BCS			
				RELEASED	01/26/06	B CS			
A	C10103847	01/26/06	BCS					RELEASED LEVEL: Active	
REV.	CHANGE #	DATE	NAME					REVISION: A	

PROPRIETARY NOTE: THIS DOCUMENT CONTAINS INFORMATION WHICH IS THE PROPRIETARY PROPERTY OF KNOWLES ELECTRONICS, LLC. OR ITS AFFILIATED ENTITIES. IT IS ISSUED IN STRICT CONFIDENCE AND SHALL NOT BE REPRODUCED, COPIED, USED, OR DISCLOSED TO ANY THIRD PARTY PARTIALLY OR WHOLLY IN ANY MANNER WITHOUT PRIOR WRITTEN PERMISSION OF, AND MUST BE RETURNED UPON REQUEST BY, KNOWLES ELECTRONICS, LLC.



DRAWING NUMBER:		5300-253588	REVISION: A	
			SHEETS: 1 of 1	

X-ON Electronics

Largest Supplier of Electrical and Electronic Components

Click to view similar products for [Fixed Inductors](#) category:

Click to view products by [Knowles](#) manufacturer:

Other Similar products are found below :

[CR32NP-100KC](#) [CR43NP-680KC](#) [CR54NP-820KC](#) [CR54NP-8R5MC](#) [CTX32CT-100](#) [70F224AI](#) [MGDQ4-00004-P](#) [MHL1ECTTP18NJ](#)
[MHL1JCTTD12NJ](#) [PE-51506NL](#) [PE-53601NL](#) [PE-53602NL](#) [PE-53630NL](#) [PE-53824SNLT](#) [PE-62892NL](#) [PE-92100NL](#) [PG0434.801NLT](#)
[PG0936.113NLT](#) [9310-16](#) [PM06-2N7](#) [PM06-39NJ](#) [A01TK](#) [1206CS-471XJ](#) [HC2-2R2TR](#) [HC2LP-R47-R](#) [HC3-2R2-R](#) [HCF1305-3R3-R](#)
[1206CS-151XG](#) [RCH664NP-140L](#) [RCH664NP-4R7M](#) [RCH8011NP-221L](#) [RCP1317NP-332L](#) [RCP1317NP-391L](#) [RCR1010NP-470M](#)
[RCR110DNP-331L](#) [DH2280-4R7M](#) [DS1608C-106](#) [ASPI-4020HI-R10M-T](#) [B10TJ](#) [B82477P4333M](#) [B82498B3101J000](#) [B82498B3680J000](#)
[ELJ-RE27NJF2](#) [1812CS-153XJ](#) [1812CS-183XJ](#) [1812CS-223XJ](#) [1812LS-104XJ](#) [1812LS-105XJ](#) [1812LS-124XJ](#) [1812LS-154XJ](#)