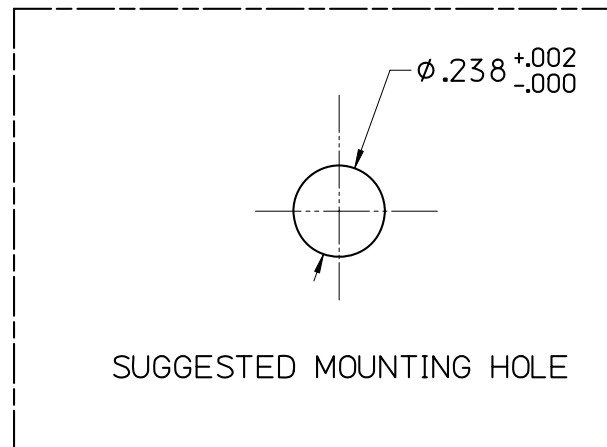
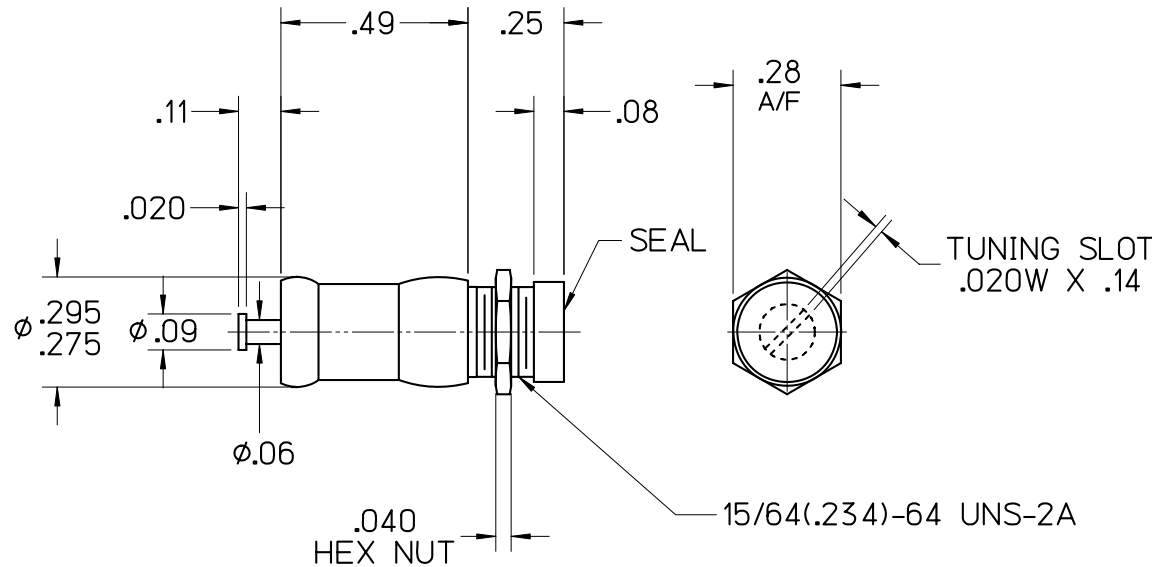


5502

K

AIR TRIMMER CAPACITOR



SPECIFICATIONS | FILE: AIROUT

| | | |
|---------------------------------|------------------------------|-------------------|
| CAPACITY RANGE | 1pF TO 20pF (>12 TURNS) | |
| WORKING VOLTAGE | 250 VDC (TEST VOLT. 500 VDC) | |
| Q @ 100 MHz | > 1500 | |
| INSULATION RESISTANCE | >10 ⁶ MEGOHMS | |
| TEMPERATURE RANGE | -65°C TO +125°C | |
| T O R Q U E | TUNING | 1.0 TO 5.0 OZ. IN |
| | NUT MOUNTING | 50 OZ. IN. MAX |
| | SEAL ASSEMBLY | 8 OZ. IN. MAX |
| BRASS & INVAR STRUCTURE | | |
| GLAZED ALUMINA INSULATION | | |
| 574°F SOLDER USED IN ASSEMBLY | | |
| SILICONE RUBBER SEAL WASHER | | |
| GOLD, SILVER, & CHROMATE FINISH | | |

| | | | | | |
|-------|----------|------|------|------|---------|
| K | 06/29/16 | MAI | MAI | MAI | 001385 |
| J | 07/31/06 | MLD | MAI | MAI | 000393 |
| H | 03/20/00 | MLD | - | - | 000-112 |
| LEVEL | DATE | DRN. | CHK. | APP. | ECN |

REVISIONS

| | | | |
|----------|----------|----------|-------------|
| DRN. | CHK. | APP. | SCALE |
| MLD | TAM | JHT | 2" = 1" |
| DATE | DATE | DATE | .XX ± .015 |
| 03/20/00 | 03/21/00 | 03/21/00 | .XXX ± .005 |



JOHANSON MANUFACTURING CORPORATION
 ROCKAWAY VALLEY ROAD, BOONTON, N.J. 07005 (973)334-2676 FAX (973)334-2954
 ELECTRONIC ACCURACY THROUGH MECHANICAL PRECISION

X-ON Electronics

Largest Supplier of Electrical and Electronic Components

Click to view similar products for [Trimmer/Variable Capacitors](#) category:

Click to view products by [Knowles](#) manufacturer:

Other Similar products are found below :

[GKY20086](#) [GNC8R050](#) [GXC90000](#) [PC51H230](#) [STPTIC-56G2C5](#) [27271LSL](#) [27281SL](#) [27283-3R10](#) [GYB5R000](#) [GHC5R500](#) [GZD80000](#)
[NMAM25HV](#) [NMA1J12HVS](#) [SR600TR](#) [SR101TR](#) [SR201TR](#) [SR301TR](#) [NMA1J4HV](#) [NMA1J8HV](#) [NMTM120C](#) [NMTM120CE](#) [V2890](#)
[V2753](#) [NMKT10HVE](#) [NMAP40HV](#) [V8081](#) [V2369](#) [NMCB10-5CKE](#) [NMAT25HVFS](#) [6924-12](#) [6926-17](#) [6940-1](#) [6926-0](#) [L6997-5](#) [9401-](#)
[0SL-1](#) [GYC15000](#) [CV31A180](#) [BFC280905215](#) [TZB4Z030AA10R00](#) [BFC280800006](#) [BFC280905216](#) [STPTIC-47F1M6](#) [STPTIC-27F1M6](#)
[GYA5R000](#) [JZ030HV](#) [JZ300HV](#) [JZ060HV](#) [CTZ3E-10A-W5-PF](#) [189-0504-005](#) [538-011 D 9-35LF](#)