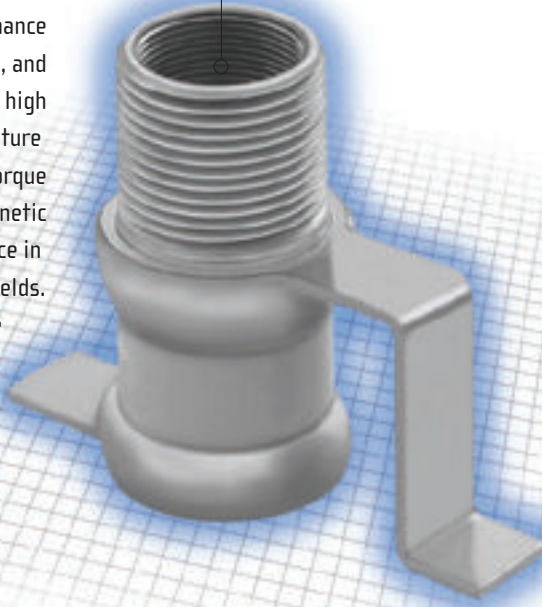


# NON-MAGNETIC CAPACITORS

Non-magnetic Capacitors are specifically designed for low magnetic signature applications such as Magnetic Resonance Imaging, Nuclear Magnetic Resonance, and other medical applications. These high stability Non-magnetic Capacitors feature the one piece self locking constant torque mechanism along with special non-magnetic construction for superior performance in very high strength magnetic fields. Non-magnetic Capacitors are available in multi-turn and single turn styles and various configurations.



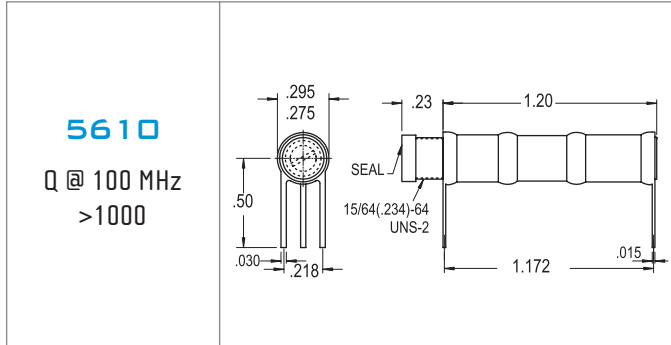
## CHARACTERISTICS

- Working Voltage: From 250 VDC to 5000 VDC
- Long Rotational life
- Insulation Resistance: > 10<sup>6</sup> MΩ
- Temperature range: -65°C to +125°C
- RoHS Compliant

WORKING VOLTAGE	CAPACITANCE RANGE	SERIES	Q	PAGE
5000 VDC	1 TO 7.5 pF	5610	> 1000 @100MHz	2
1250 VDC	1.5 TO 10 pF	52H	> 1400 @195MHz	2
1000 VDC	1.5 TO 19 pF	55H	> 1000 @175MHz	2
	1 TO 25 pF	59H	> 1000 @175MHz	2,3
	2 TO 30 pF	56H	> 1000 @175MHz	3
250 VDC	.4 TO 3.5 pF	5860	> 10000 @100MHz	3
	.6 TO 6.0 pF	5760	> 10000 @100MHz	3,4
	.8 TO 10 pF	5240	> 4000 @100MHz	4
	1 TO 30 pF	5640	> 800 @100MHz	4
250 VDC (90° TO 180° RESOLUTION)	UP TO 50 pF	THIN-TRIM	SEE DATASHEET	THIN-TRIM
	UP TO 22 pF	CERA-TRIM	SEE DATASHEET	CERA-TRIM
	UP TO 50 pF	SEAL-TRIM	SEE DATASHEET	SEAL-TRIM

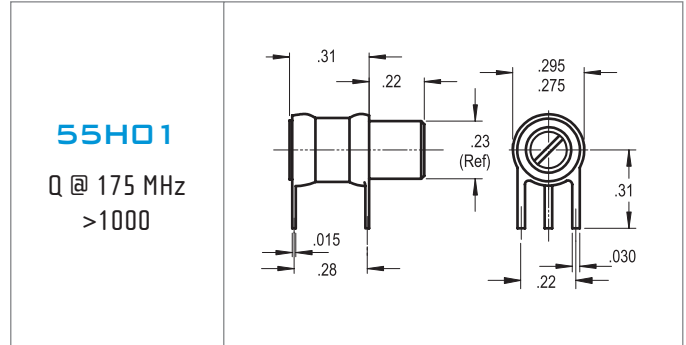
## 5000 VDC - 1 TO 7.5 pF

- Capacitance Range: 1 to 7.5 pF (>26 turns)
- Working Voltage: 5000 VDC (9000 VDC Test)
- Torque: 1 to 5.0 oz. In.
- Tuning Tool: 8764
- Gold, Silver, Chromate Finish
- RoHS Compliant



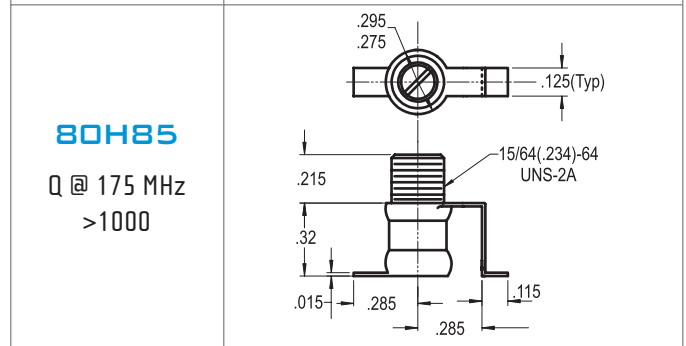
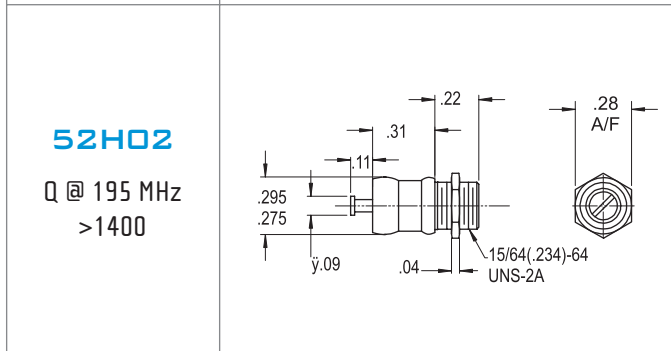
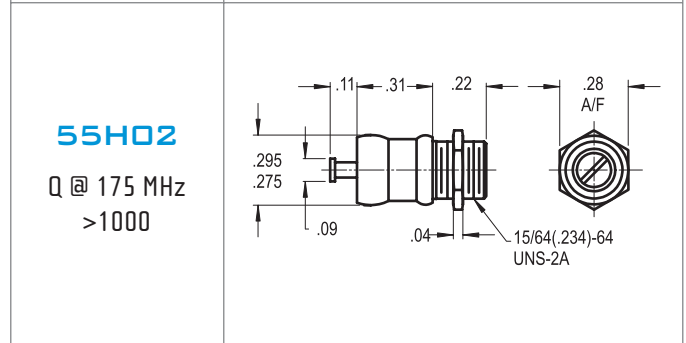
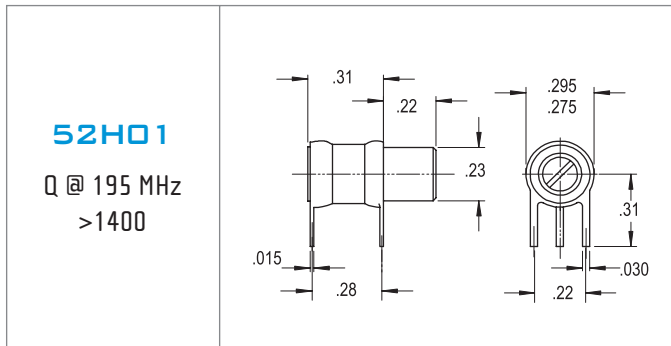
## 1000 VDC - 1 TO 19 pF

- Capacitance Range: 1.5 to 19 pF (>18 turns)
- Working Voltage: 1000 VDC (2000 VDC Test)
- Torque: 1 to 5.0 oz. In.
- Tuning Tool: 8764
- Gold, Silver, Chromate Finish
- RoHS Compliant



## 1250 VDC - 1 TO 10 pF

- Capacitance Range: 1.5 to 10 pF (>18 turns)
- Working Voltage: 1250 VDC (2500 VDC Test)
- Torque: 1 to 5.0 oz. In.
- Tuning Tool: 8764
- Gold, Silver, Chromate Finish
- RoHS Compliant



## 1000 VDC - 1 TO 25 pF

- Capacitance Range: 1 to 25 pF (>23 turns)
- Working Voltage: 1000 VDC (2000 VDC Test)
- Torque: 1 to 5.0 oz. In.
- Tuning Tool: 8764
- Gold, Silver, Chromate Finish
- RoHS Compliant

## 1000 VDC - 1 TO 25 pF

<p><b>59H01</b></p> <p>Q @ 175 MHz &gt;1000</p>	
<p><b>59H18</b></p> <p>Q @ 175 MHz &gt;1000</p>	

## 1000 VDC - 2 TO 30 pF

- Capacitance Range: 2 to 30 pF (>25 turns)
- Working Voltage: 1000 VDC (2000 VDC Test)
- Torque: 1 to 5.0 oz. In.
- Tuning Tool: 8764
- Gold, Silver, Chromate Finish
- RoHS Compliant

<p><b>56H01</b></p> <p>Q @ 175 MHz &gt;1000</p>	
<p><b>56H02</b></p> <p>Q @ 175 MHz &gt;1000</p>	

## 250 VDC - 0.4 TO 3.5 pF

- Capacitance Range: .4 to 3.5 pF (>9 turns)
- Working Voltage: 250 VDC (500 VDC Test)
- Torque: .3 to 3.0 oz. In.
- Tuning Tool: 8766
- Gold, Silver, Chromate Finish
- RoHS Compliant

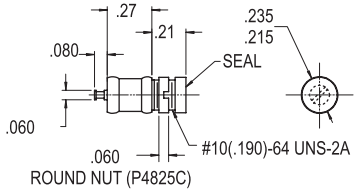
<p><b>5862</b></p> <p>Q @ 100 MHz &gt;10000</p>	
---	--

## 250 VDC - 0.6 TO 6.0 pF

- Capacitance Range: .6 to 6 pF (>8 turns)
- Working Voltage: 250 VDC (500 VDC Test)
- Torque: .4 to 4.0 oz. In.
- Tuning Tool: 8764
- Gold, Silver, Chromate Finish
- RoHS Compliant

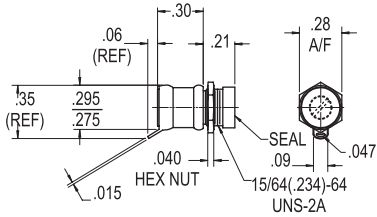
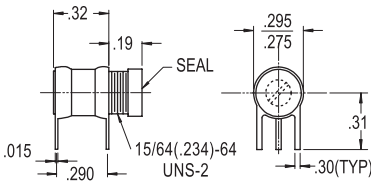
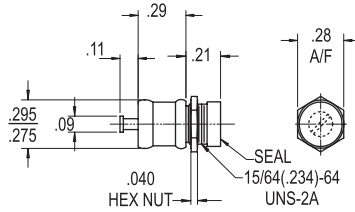
<p><b>5760</b></p> <p>Q @ 100 MHz &gt;10000</p>	
<p><b>5761</b></p> <p>Q @ 100 MHz &gt;10000</p>	

## 250 VDC - 0.6 TO 6 PF

<p><b>5762</b></p> <p>Q @ 100 MHz &gt;10000</p>	
---	---

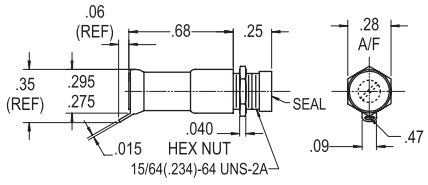
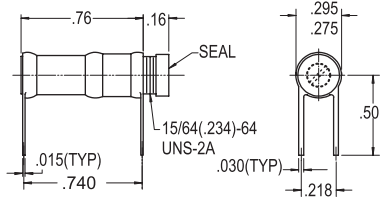
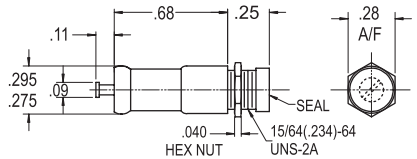
## 250 VDC - 0.8 TO 10 PF

- Capacitance Range: .8 to 10 pF (>6 turns)
- Working Voltage: 250 VDC (500 VDC Test)
- Torque: 1 to 5.0 oz. In.
- Tuning Tool: 8764
- Gold, Silver, Chromate Finish
- RoHS Compliant

<p><b>5240</b></p> <p>Q @ 100 MHz &gt;4000</p>	
<p><b>5241</b></p> <p>Q @ 100 MHz &gt;4000</p>	
<p><b>5242</b></p> <p>Q @ 100 MHz &gt;4000</p>	

## 250 VDC - 1 TO 30 PF

- Capacitance Range: 1 to 30 pF (>23 turns)
- Working Voltage: 250 VDC (500 VDC Test)
- Torque: 1 to 5.0 oz. In.
- Tuning Tool: 8764
- Gold, Silver, Chromate Finish
- RoHS Compliant

<p><b>5640</b></p> <p>Q @ 100 MHz &gt;800</p>	
<p><b>5641</b></p> <p>Q @ 100 MHz &gt;800</p>	
<p><b>5642</b></p> <p>Q @ 100 MHz &gt;800</p>	

## X-ON Electronics

Largest Supplier of Electrical and Electronic Components

*Click to view similar products for [Trimmer/Variable Capacitors](#) category:*

*Click to view products by [Knowles](#) manufacturer:*

Other Similar products are found below :

[GKY20086](#) [GNC8R050](#) [GXC90000](#) [PC51H230](#) [STPTIC-56G2C5](#) [27271LSL](#) [27281SL](#) [27283-3R10](#) [GYB5R000](#) [GHC5R500](#) [GZD80000](#)  
[NMAM25HV](#) [NMA1J12HVS](#) [SR600TR](#) [SR101TR](#) [SR201TR](#) [SR301TR](#) [NMA1J4HV](#) [NMA1J8HV](#) [NMTM120C](#) [NMTM120CE](#) [V2890](#)  
[V2753](#) [NMKT10HVE](#) [NMAP40HV](#) [V8081](#) [V2369](#) [NMCB10-5CKE](#) [NMAT25HVFS](#) [6924-12](#) [6926-17](#) [6940-1](#) [6926-0](#) [L6997-5](#) [9401-](#)  
[0SL-1](#) [GYC15000](#) [CV31A180](#) [BFC280905215](#) [TZB4Z030AA10R00](#) [BFC280800006](#) [BFC280905216](#) [STPTIC-47F1M6](#) [STPTIC-27F1M6](#)  
[GYA5R000](#) [JZ030HV](#) [JZ300HV](#) [JZ060HV](#) [CTZ3E-10A-W5-PF](#) [189-0504-005](#) [538-011 D 9-35LF](#)