

28.0 GHz Surface Mount Band pass Filter

B274MB1S

DESCRIPTION

One of DLI's surface mount catalog bandpass filters designed for the 5G band. This filter utilizes DLI's low loss temperature stable materials which offer small size and minimal performance variation over temperature.

DLI's catalog BPF's are offered in a variety of frequency bands, which offers a drop-in solution with highly repeatable performance.

FEATURES

- Small Size
- Shielded Component
- Surface Mount Package
- Moisture Sensitivity Level: MSL1
- Frequency Stable over Temperature
- Operating & Storage Temp: -55°C to +125°C
- 50Ω Characteristic Impedance

Packaging and Ordering information:

To request Tape and Reel packaging, please order part number B274MB1S-T

SPECIFICATIONS*

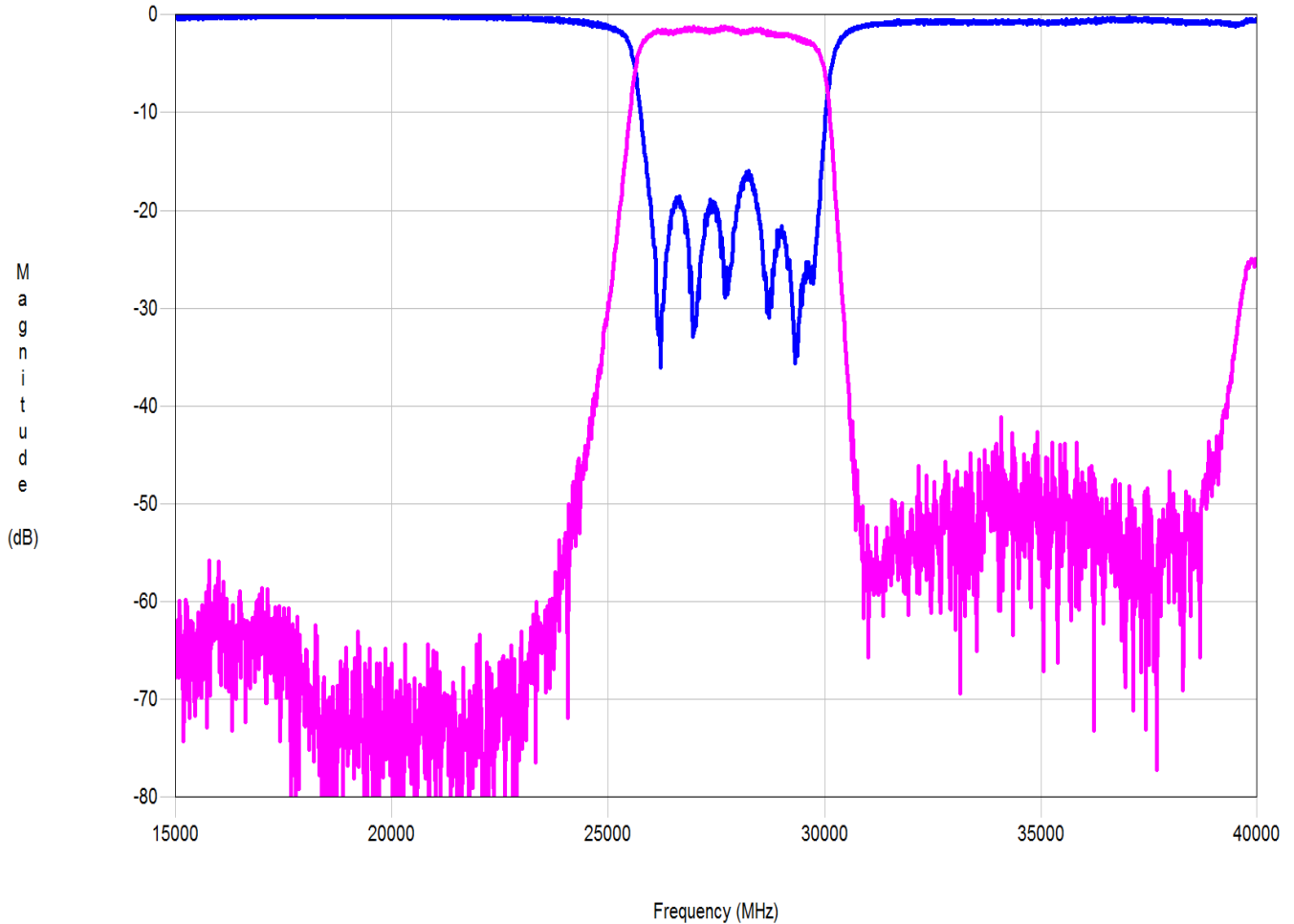
Parameter	Frequency Range (GHz)	Min	Typ.	Max
Insertion Loss (dB)	26.50 - 29.50	—	3.5	3.75
Return Loss (dB)		10	15	—
Low Side Rejection (dB)	DC - 24.0	40	45	—
High Side Rejection (dB)	31.0 - 38.0	40	45	—
Size (L x W x H)	0.450(L) X 0.110(W) x 0.088(H) in 11.4(L) X 2.3 (W) X 1.8 mm			

*Electrical specifications at room temperature. Insertion loss shall vary up to ±0.5 dB over temperature.

28.0 GHz Surface Mount Band pass Filter

B274MB1S

RF Measured Performance

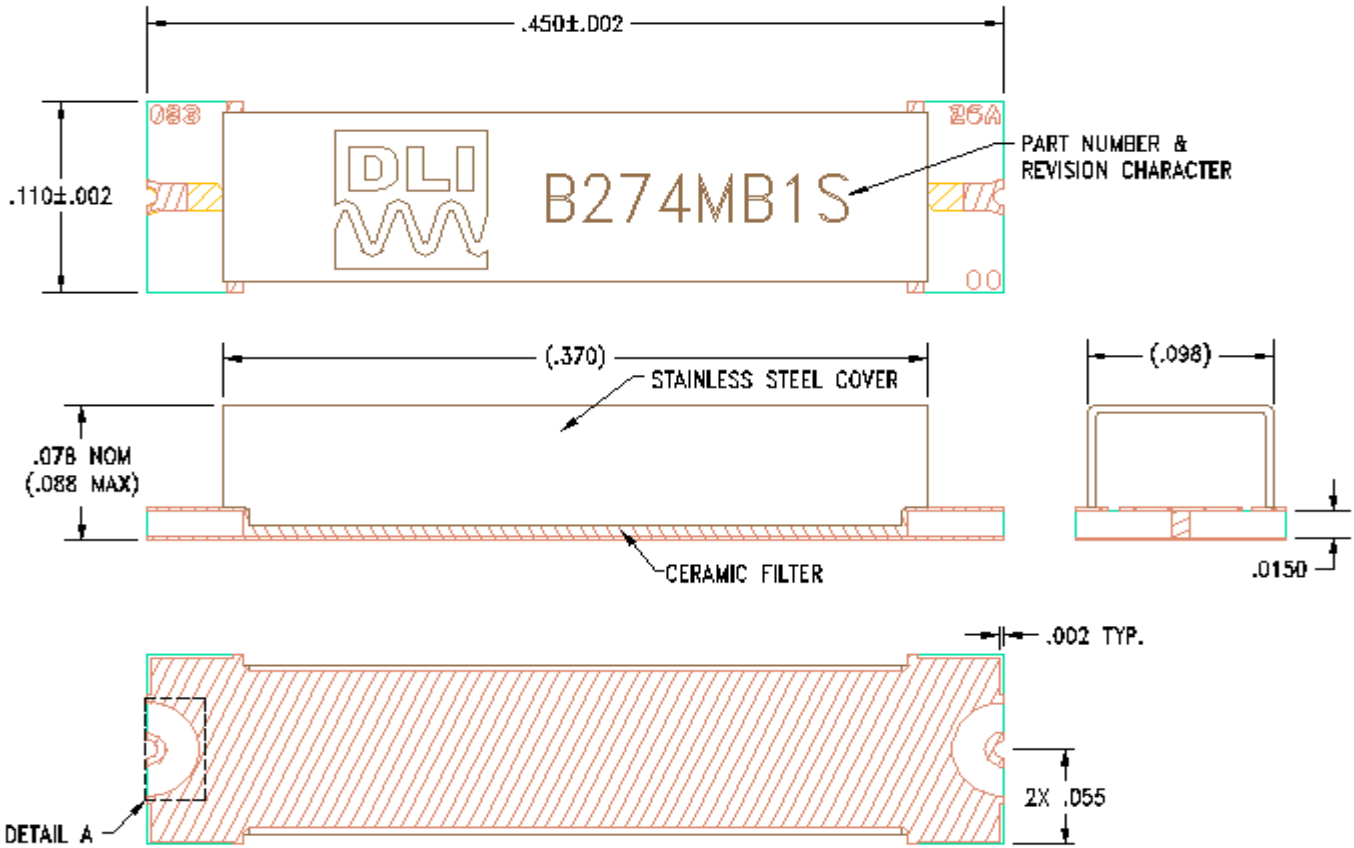


28.0 GHz Surface Mount Band pass Filter

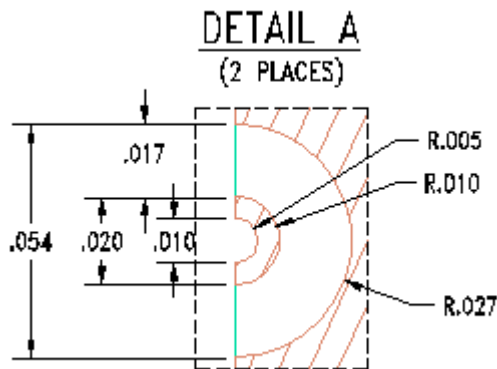
B274MB1S

Physical Dimensions

Units = inches (in)



- 50Ω trace dimensions are application specific.
- Ensure adequate grounding beneath the part.

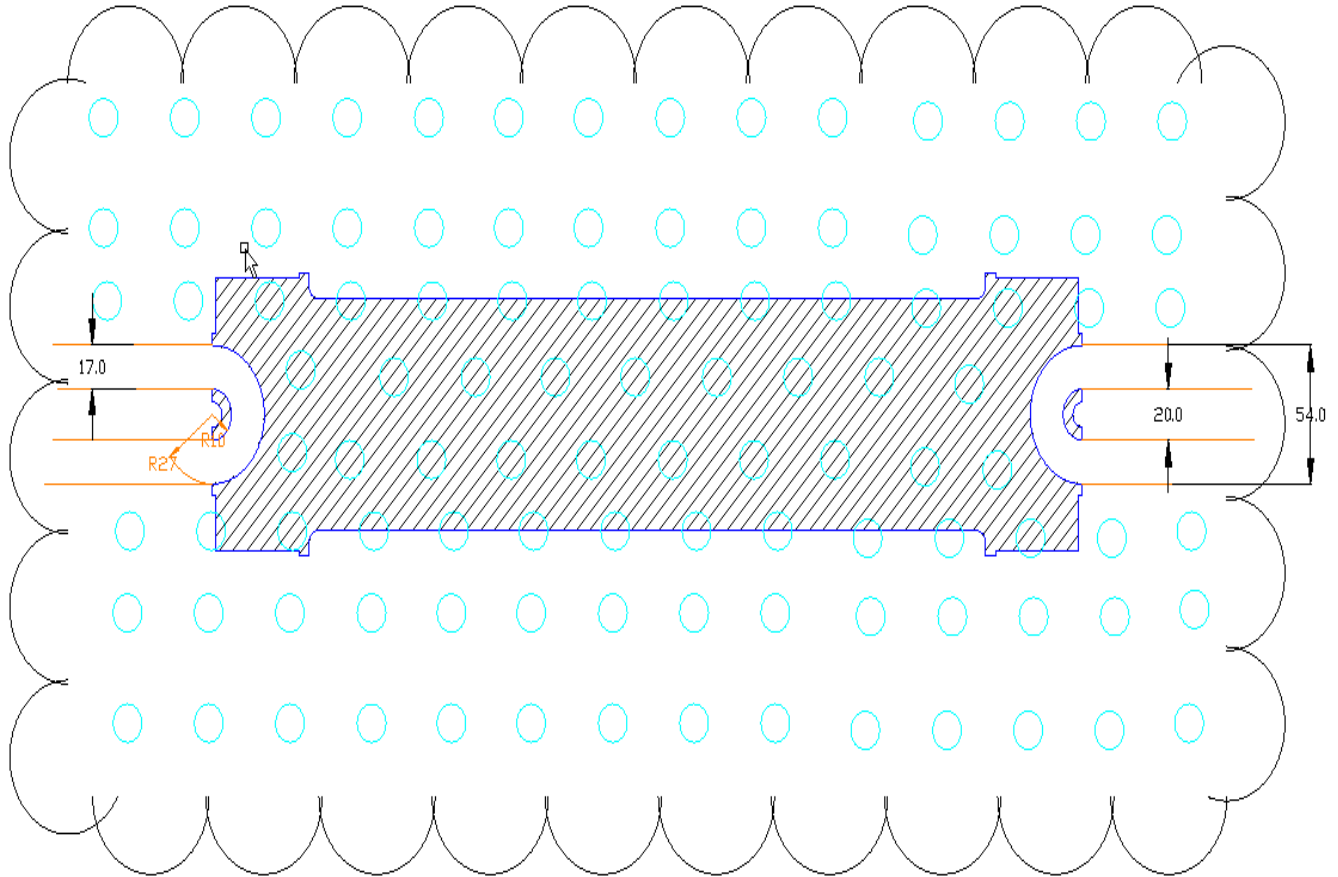


28.0 GHz Surface Mount Band pass Filter

B274MB1S

PCB Pattern Recommendations

Unit : mil



X-ON Electronics

Largest Supplier of Electrical and Electronic Components

Click to view similar products for [Signal Conditioning](#) category:

Click to view products by [Knowles](#) manufacturer:

Other Similar products are found below :

[MAPDCC0001](#) [MAPDCC0004](#) [PD0409J5050S2HF](#) [880157](#) [HHS-109-PIN](#) [DC1417J5005AHF](#) [AFS14A30-2185.00-T3](#) [AFS14A35-1591.50-T3](#) [DS-323-PIN](#) [B39321R801H210](#) [1A0220-3](#) [JP510S](#) [LFB212G45SG8C341](#) [LFB322G45SN1A504](#) [LFL182G45TC3B746](#) [SF2159E](#) [30057](#) [FM-104-PIN](#) [CER0813B](#) [MAPDCC0005](#) [3A325](#) [40287](#) [41180](#) [ATB3225-75032NCT](#) [BD0810N50100AHF](#) [BD2425J50200AHF](#) [C5060J5003AHF](#) [JHS-115-PIN](#) [JP503AS](#) [DC0710J5005AHF](#) [DC2327J5005AHF](#) [DC3338J5005AHF](#) [43020](#) [LFB2H2G60BB1C106](#) [LFL15869MTC1B787](#) [X3C19F1-20S](#) [XC3500P-20S](#) [10013-20](#) [SF2194E](#) [CDBLB455KCAX39-B0](#) [TGL2208-SM, EVAL](#) [RF1353C](#) [PD0922J5050D2HF](#) [1E1305-3](#) [1G1304-30](#) [B0922J7575AHF](#) [2020-6622-20](#) [TP-102-PIN](#) [TP-103-PIN](#) [BD1222J50200AHF](#)