

38.5 GHz Surface Mount Bandpass Filter

B385MD0S

DESCRIPTION

One of DLI's surface mountable catalog bandpass filters designed for the 5G band. This filter utilizes DLI's low loss temperature stable materials which offer small size and minimal performance variation over temperature. The catalog BPF's are offered in a variety of frequency bands, which offers a drop in solution with highly repeatable performance.

FEATURES

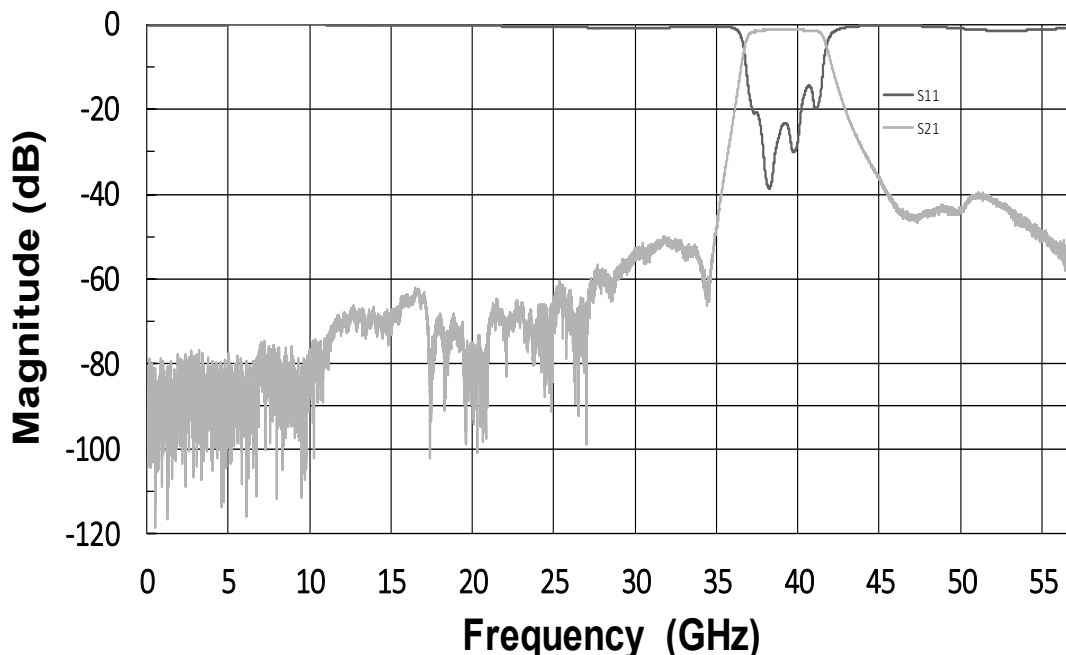
- Small Size
- Fully Shielded Component
- Solder Surface Mount Package
- Moisture Sensitivity Level: MSL1
- Frequency Stable over Temperature
- Operating & Storage Temp: -55°C to +125°C
- Characteristic Impedance: 50Ω

SPECIFICATIONS*

Parameter	Frequency Range (GHz)	Min	Typ.	Max
Insertion Loss (dB)	37.0 - 40.0		2.5	2.75
Return Loss (dB)		9.5	10	15
Low Side Rejection (dB)	DC - 34.0	30	40	
High Side Rejection (dB)	45.0 - 50.0	30	40	
Input Power (W)				TBD
Size (L x W x H)	0.275 x 0.080 x 0.075in 6.985 x 2.032 x 1.905 mm			

*Electrical specifications based on typical probed performance at room temperature. Insertion loss shall vary ± 0.5 dB over temperature.

Typical Measured Performance

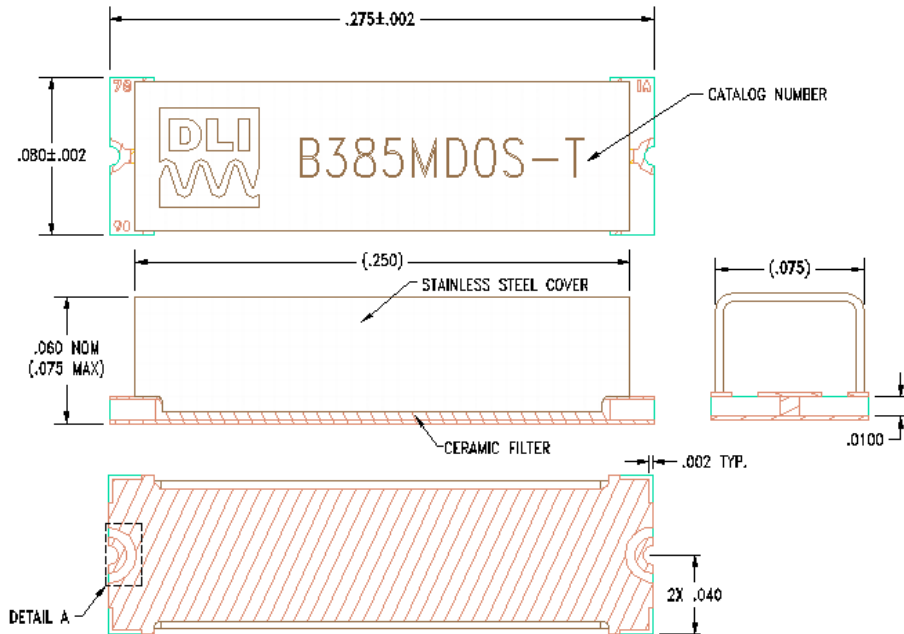


38.5 GHz Surface Mount Bandpass Filter

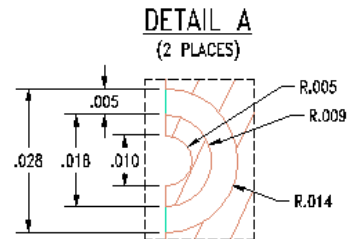
B385MD0S

Physical Dimensions

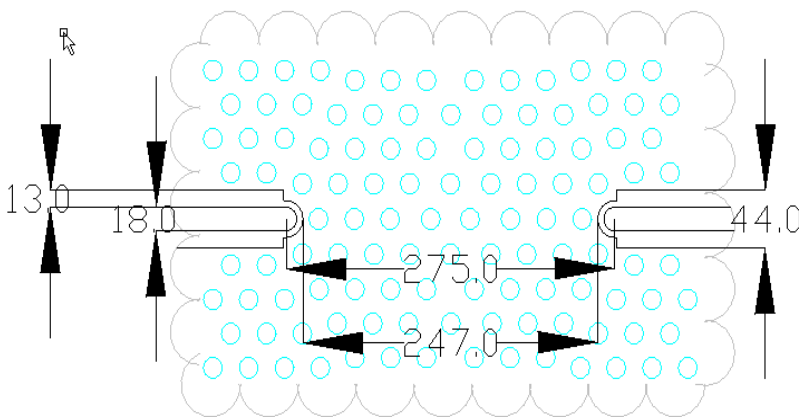
Units = inches



- *NOTES:**
1. MOUNTING SURFACE METALLIZATION:
3-6 μINCHES Au OVER
50 μINCHES MIN. Ni OVER
100 μINCHES MIN. Au OVER
300 Å MIN. TiW
 2. COVER MATERIAL:
ANNEALED, 430 STAINLESS STEEL
 3. COVER METALLIZATION:
5-15 μINCHES Au OVER
50-100 μINCHES Ni
 4. ASSEMBLY WILL BE LASER MARKED AS SHOWN.
 5. MAXIMUM ASSEMBLY PROCESS TEMPERATURE: 250°C



Recommended PCB Layout



- 50Ω trace dimensions are application specific.
- Ensure adequate grounding beneath the part.



X-ON Electronics

Largest Supplier of Electrical and Electronic Components

Click to view similar products for [Signal Conditioning](#) category:

Click to view products by [Knowles](#) manufacturer:

Other Similar products are found below :

[MAPDCC0001](#) [MAPDCC0004](#) [PD0409J5050S2HF](#) [880157](#) [HHS-109-PIN](#) [DC1417J5005AHF](#) [AFS14A30-2185.00-T3](#) [AFS14A35-1591.50-T3](#) [DS-323-PIN](#) [B39321R801H210](#) [1A0220-3](#) [JP510S](#) [LFB212G45SG8C341](#) [LFB322G45SN1A504](#) [LFL182G45TC3B746](#) [SF2159E](#) [30057](#) [FM-104-PIN](#) [CER0813B](#) [MAPDCC0005](#) [3A325](#) [40287](#) [41180](#) [ATB3225-75032NCT](#) [BD0810N50100AHF](#) [BD2425J50200AHF](#) [C5060J5003AHF](#) [JHS-115-PIN](#) [JP503AS](#) [DC0710J5005AHF](#) [DC2327J5005AHF](#) [DC3338J5005AHF](#) [43020](#) [LFB2H2G60BB1C106](#) [LFL15869MTC1B787](#) [X3C19F1-20S](#) [XC3500P-20S](#) [10013-20](#) [SF2194E](#) [CDBLB455KCAX39-B0](#) [TGL2208-SM, EVAL](#) [RF1353C](#) [PD0922J5050D2HF](#) [1E1305-3](#) [1G1304-30](#) [B0922J7575AHF](#) [2020-6622-20](#) [TP-102-PIN](#) [TP-103-PIN](#) [BD1222J50200AHF](#)